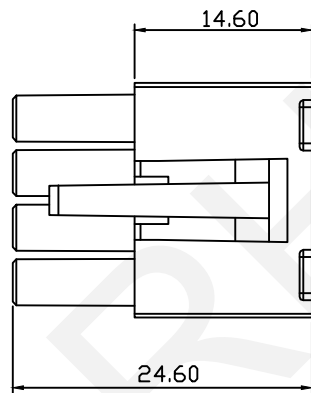
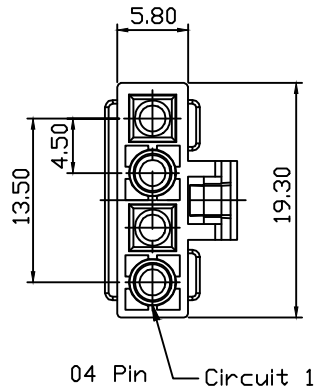
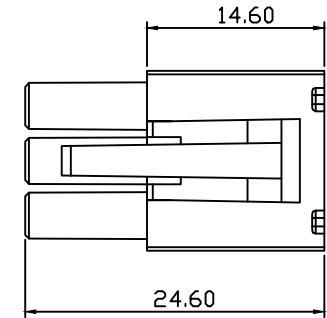
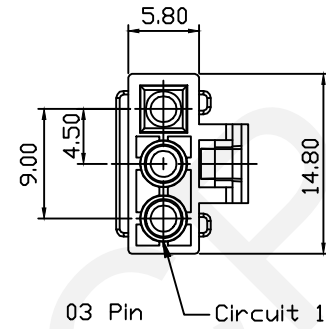
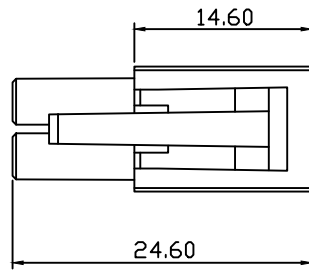
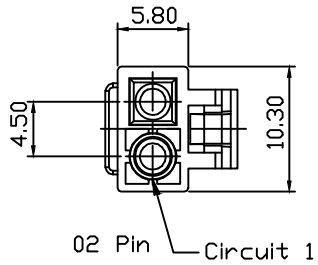


RoHS Compliance



Material:
Housing: PA66, UL94V-0

Electrical Characteristics:
Rated Current: 10.0AMP
Voltage Rating: 300V AC, DC
Temperature Range: -25°C~+85°C
Insulator Resistance: 1000MΩ/Min.
Withstanding Voltage: 1500V AC/Minute
Contact Resistance: 7mΩ/Max

Order Information:
RHTAYM1-4.50-1×XX-MH

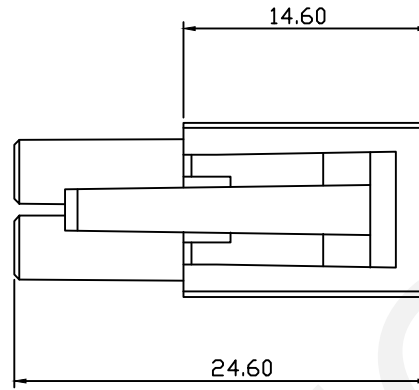
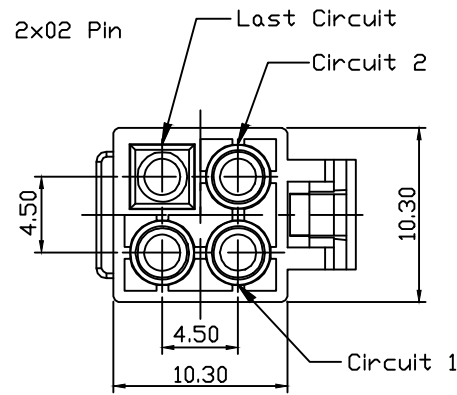
Pitch: 4.50mm
Row: 1-Single Layer
2-Double Layer
3-Three Layer
XX-No. of 02~04 Pins
Type: _____
FH-Female Hosing MH-Male Hosing
FT-Female Terminal MT-Male Terminal

 NINGBO RHT ELECTRONIC CO.,LTD

UNITS:mm	SHEET SIZE: A4	SCALE: ---	DRWN BY PAN
0~3	3~18	18~50	50~120
±0.12	±0.15	±0.3	±0.5
CHK'D BY FENG		APPR BY ZHAN	

4.50mm Pitch EL 4501 4502
Wire To Wire Connector
THIRD ANGLE PROJECTION
 RHTAYM1-4.50-1×XX-MH

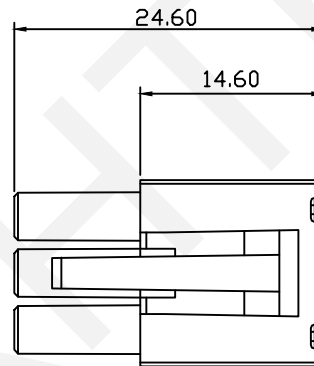
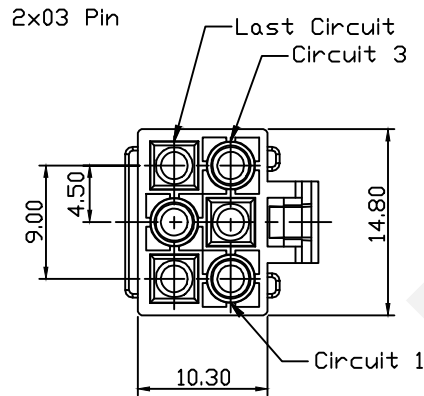
RoHS Compliance



Material:
Housing:PA66,UL94V-0

Electrical Characteristics:
Rated Current: 10.0AMP
Voltage Rating: 300V AC,DC
Temperature Range: -25°C~+85°C
Insulator Resistance: 1000MΩ/Min.
Withstanding Voltage: 1500V AC/Minute
Contact Resistance: 7MΩ/Max

Order Information:
RHTAYM1-4.50-2xXX-MH



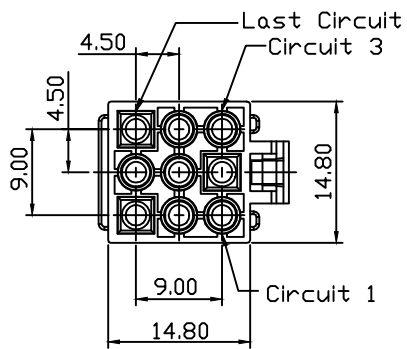
Pitch:4.50mm
Row:1-Single Layer
2-Double Layer
3-Three Layer
XX-No.of 02~03Pins
Type: _____
FH-Female Hosing MH-Male Hosing
FT-Female Terminal MT-Male Terminal

RHTECP NINGBO RHT ELECTRONIC CO.,LTD

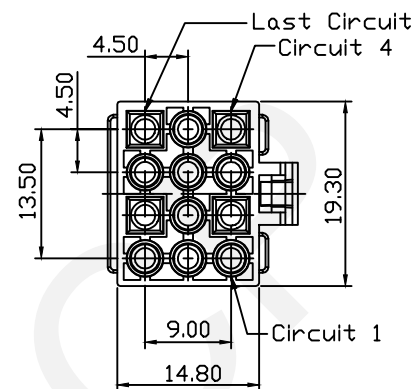
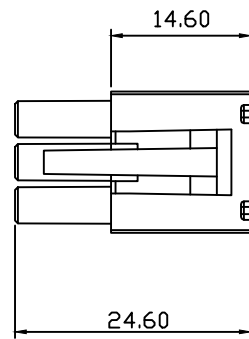
UNITS:mm	SHEET SIZE: A4		SCALE:----	DRWN BY PAN
0~3	3~18	18~50	50~120	CHK'D BY FENG
±0.12	±0.15	±0.3	±0.5	APPR BY ZHAN

4.50mm Pitch EL 4501 4502
Wire To Wire Connector
THIRD ANGLE PROJECTION
 RHTAYM1-4.50-2xXX-MH

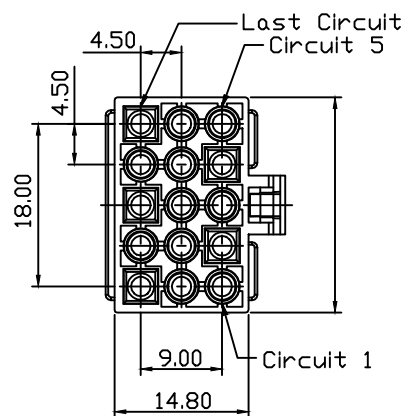
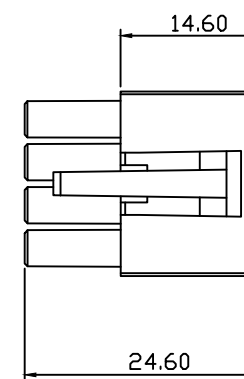
RoHS Compliance



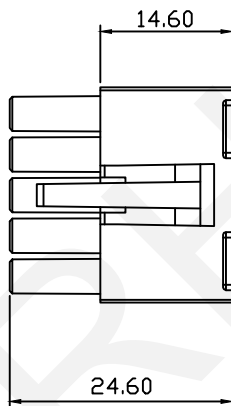
3x03 Pin



3x04 Pin



3x05 Pin



Material:
Housing:PA66,UL94V-0

Electrical Characteristics:
Rated Current: 10.0AMP
Voltage Rating: 300V AC,DC
Temperature Range: -25°C~+85°C
Insulator Resistance: 1000MΩ/Min.
Withstanding Voltage: 1500V AC/Minute
Contact Resistance: 7MΩ/Max

Order Information:

RHTAYM1-4.50-3×XX-MH

Pitch:4.50mm

Row1-Single Layer

2-Double Layer

3-Three Layer

XX-No.of 03`05Pins

Type:

FH-Female Hosing MH-Male Hosing

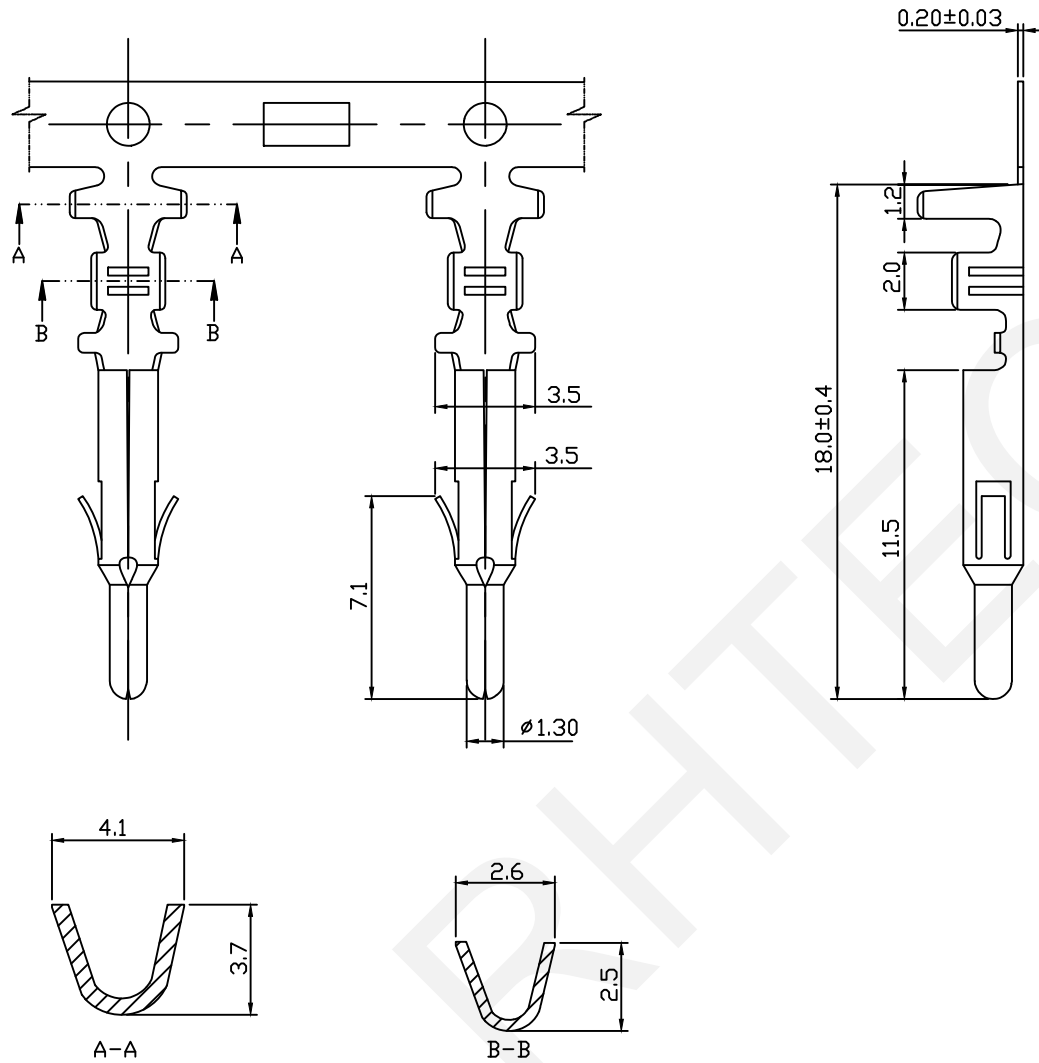
FT-Female Terminal MT-Male Terminal

RHTECP NINGBO RHT ELECTRONIC CO.,LTD

UNITS:mm	SHEET SIZE: A4		SCALE:---	DRWN BY PAN
0~3	3~18	18~50	50~120	CHK'D BY FENG
±0.12	±0.15	±0.3	±0.5	APPR BY ZHAN

4.50mm Pitch EL 4501 4502
Wire To Wire Connector
THIRD ANGLE PROJECTION
 RHTAYM1-4.50-3×XX-MH

RoHS Compliance



Material:
 Terminal: Phosphor Bronze
 Plating: Tin Plated Or Nickel
 Applicable Wires: AWG #20~#26
 Insulation O.D: 2.7mm
 Qty/Reel: 4000PCS
 Electrical Characteristics:
 Rated Current: 10.0AMP
 Voltage Rating: 300V AC,DC
 Temperature Range: -25°C~+85°C
 Insulator Resistance: 1000Ω/Min.
 Withstanding Voltage: 1500V AC/Minute
 Contact Resistance: 20MΩ/Max

Order Information:
 RHTAYM1-4.50-MT

Pitch: 4.50mm

Type: _____
 FH-Female Hosing MH-Male Hosing
 FT-Female Terminal MT-Male Terminal

RHTECP NINGBO RHT ELECTRONIC CO.,LTD

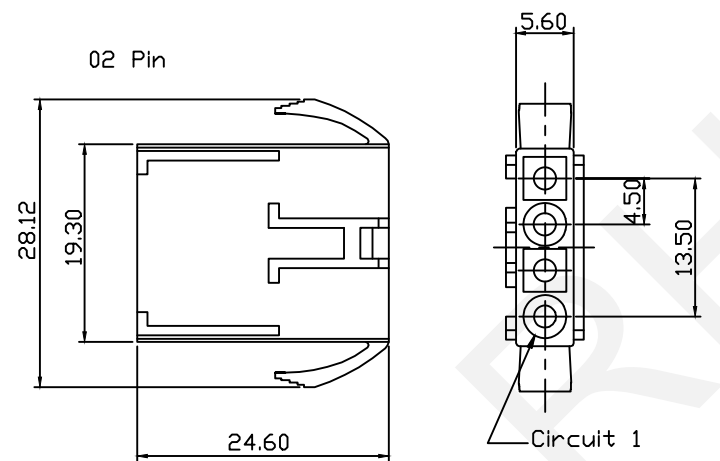
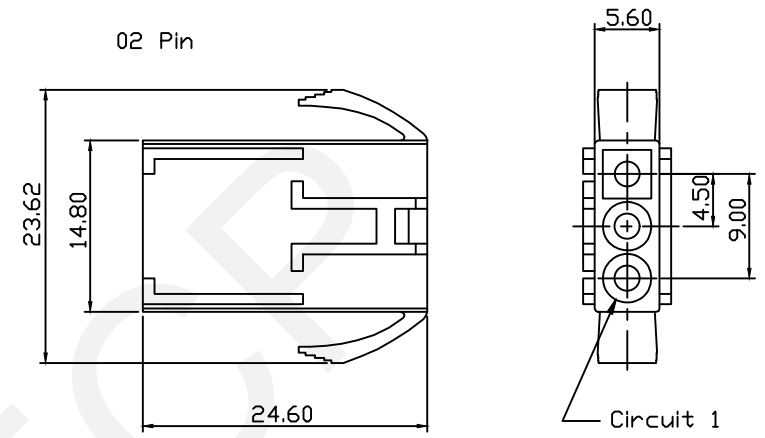
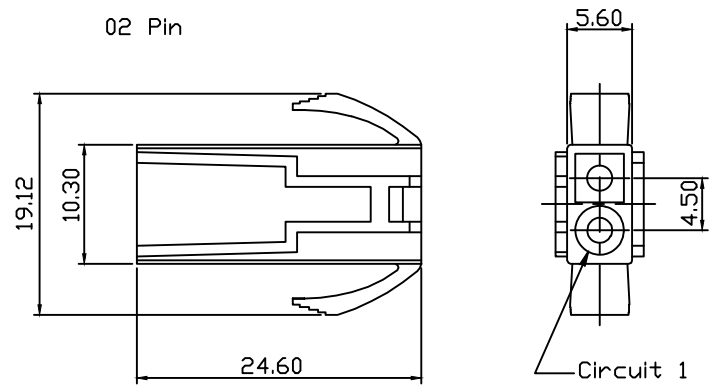
UNITS:mm	SHEET SIZE: A4	SCALE:---	DRWN BY PAN
0~3	3~18	18~50	50~120
±0.12	±0.15	±0.3	±0.5

CHK'D BY FENG
 APPR BY ZHAN

4.50mm Pitch EL 4501 4502
 Wire To Wire Connector
 THIRD ANGLE PROJECTION

 RHTAYM1-4.50-MT

RoHS Compliance



Material:
Housing:PA66,UL94V-0

Electrical Characteristics:
Rated Current: 10.0AMP
Voltage Rating: 300V AC,DC
Temperature Range: -25°C~+85°C
Insulator Resistance: 1000MΩ/Min.
Withstanding Voltage: 1500V AC/Minute
Contact Resistance: 7MΩ/Max

Order Information:
RHTAYM1-4.50-1×XX-FH

Pitch:4.50mm
Row:1-Single Layer
2-Double Layer
3-Three Layer
XX-No.of 02~04Pins

Type: _____
FH-Female Hosing MH-Male Hosing
FT-Female Terminal MT-Male Terminal



NINGBO RHT ELECTRONIC CO.,LTD

UNITS:mm	SHEET SIZE: A4		SCALE:---	DRWN BY PAN
0~3	3~18	18~50	50~120	CHK'D BY FENG
±0.12	±0.15	±0.3	±0.5	APPR BY ZHAN

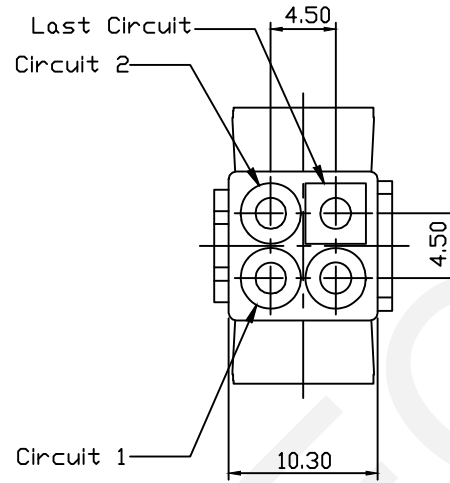
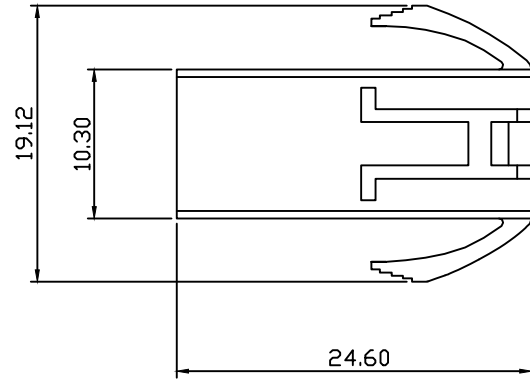
4.50mm Pitch EL 4501 4502
Wire To Wire Connector

THIRD ANGLE PROJECTION

RHTAYM1-4.50-1×XX-FH

RoHS Compliance

2x02 Pin



Material:
Housing:PA66,UL94V-0

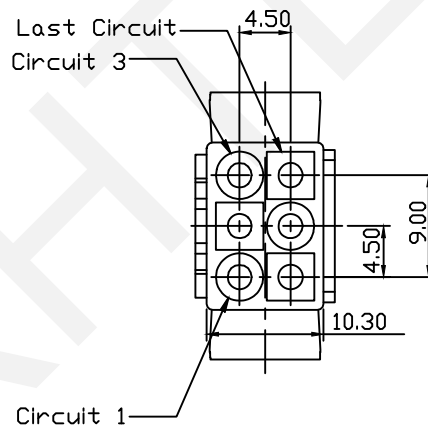
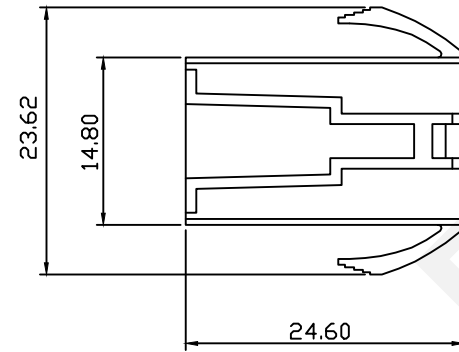
Electrical Characteristics:
Rated Current: 10.0AMP
Voltage Rating: 300V AC,DC
Temperature Range: -25°C~+85°C
Insulator Resistance: 1000MΩ/Min.
Withstanding Voltage: 1500V AC/Minute
Contact Resistance: 7MΩ/Max

Order Information:
RHTAYM1-4.50-2xXX-FH

Pitch:4.50mm
Row:1-Single Layer
2-Double Layer
3-Three Layer
XX-No.of 02~03Pins
Type: _____

FH-Female Hosing MH-Male Hosing
FT-Female Terminal MT-Male Terminal

2x03 Pin

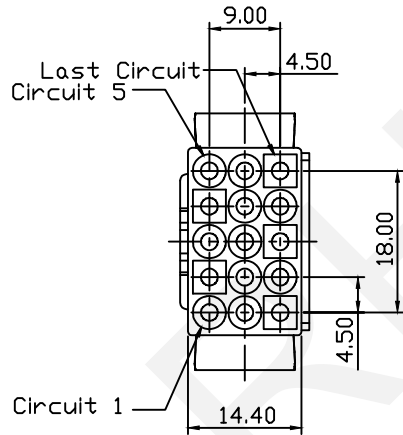
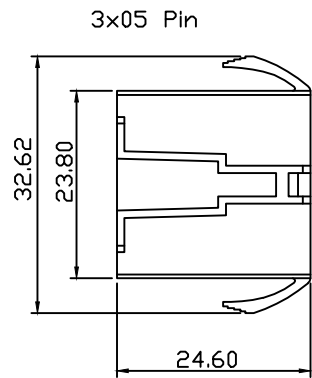
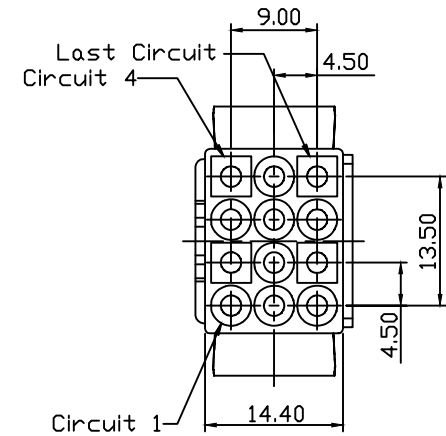
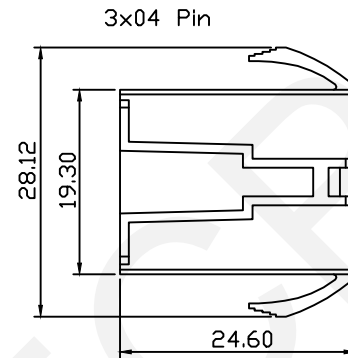
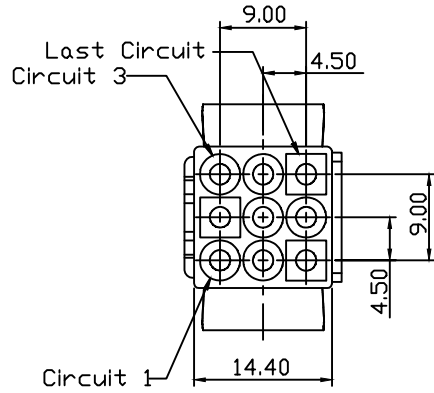
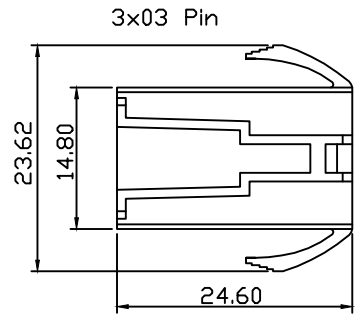


RHTECP NINGBO RHT ELECTRONIC CO.,LTD

UNITS:mm	SHEET SIZE: A4			SCALE:---	DRWN BY PAN
0~3	3~18	18~50	50~120	CHK'D BY FENG	
±0.12	±0.15	±0.3	±0.5	APPR BY ZHAN	

4.50mm Pitch EL 4501 4502
Wire To Wire Connector
THIRD ANGLE PROJECTION
 RHTAYM1-4.50-2xXX-FH

RoHS Compliance



Material:
Housing:PA66,UL94V-0

Electrical Characteristics:
Rated Current: 10.0AMP
Voltage Rating: 300V AC,DC
Temperature Range: -25°C~+85°C
Insulator Resistance: 1000MΩ/Min.
Withstanding Voltage: 1500V AC/Minute
Contact Resistance: 7MΩ/Max

Order Information:

RHTAYM1-4.50-3×XX-FH

Pitch:4.50mm
Row:1-Single Layer
2-Double Layer
3-Three Layer
XX-No.of 03'05Pins
Type:
FH-Female Hosing MH-Male Hosing
FT-Female Terminal MT-Male Terminal

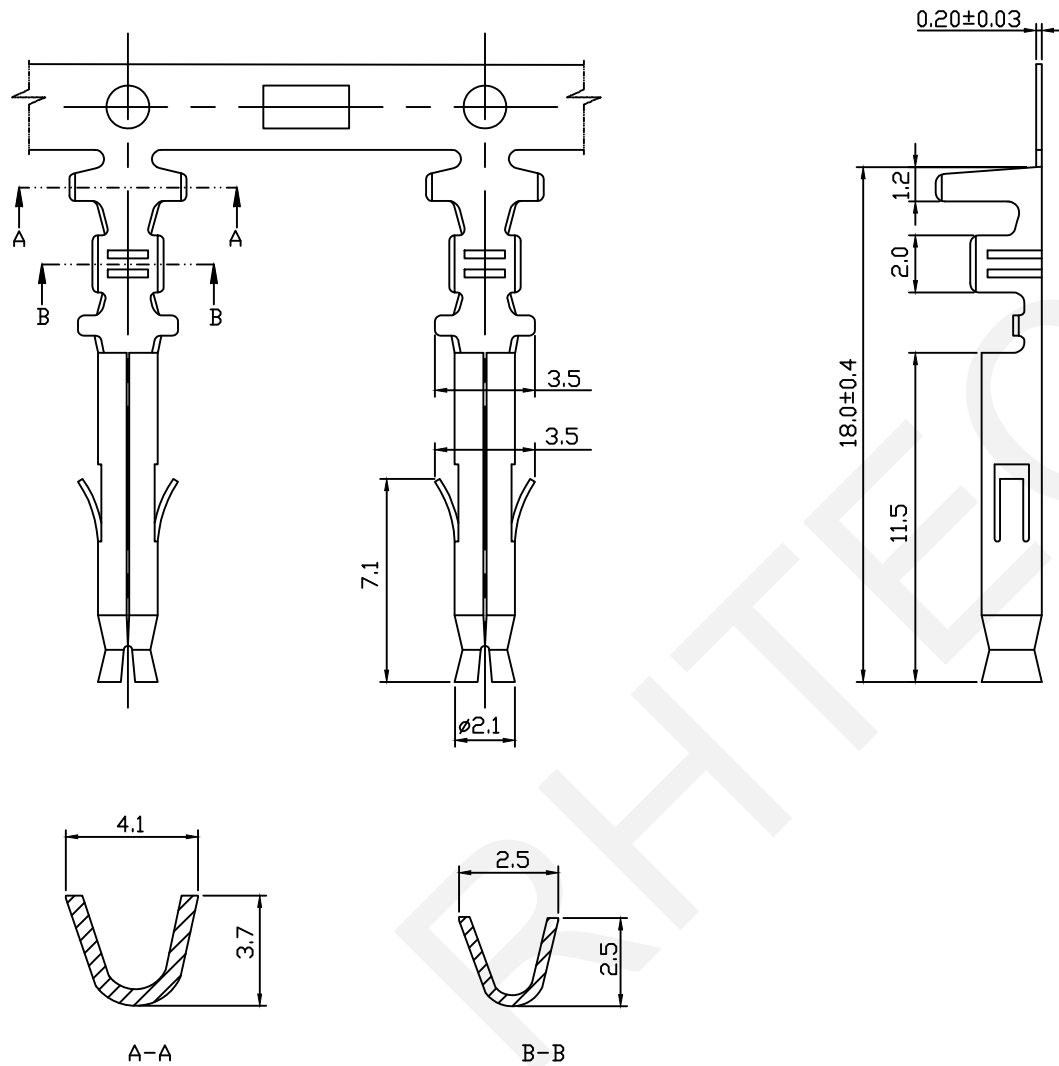
RHTECP NINGBO RHT ELECTRONIC CO.,LTD

UNITS:mm	SHEET SIZE: A4	SCALE:---	DRWN BY PAN
0~3	3~18	18~50	50~120
±0.12	±0.15	±0.3	±0.5
CHK'D BY FENG		APPR BY ZHAN	

4.50mm Pitch EL 4501 4502
Wire To Wire Connector
THIRD ANGLE PROJECTION

RHTAYM1-4.50-3×XX-FH

RoHS Compliance



Material:
 Terminal: Phosphor Bronze
 Plating: Tin Plated Or Nickel
 Applicable Wires: AWG #20~#26
 Insulation O.D: 2.7mm
 Qty/Reel: 4000PCS
 Electrical Characteristics:
 Rated Current: 10.0AMP
 Voltage Rating: 300V AC,DC
 Temperature Range: -25°C~+85°C
 Insulator Resistance: 1000M Ω /Min.
 Withstanding Voltage: 1500V AC/Minute
 Contact Resistance: 20M Ω /Max

Order Information:

RHTAYM1-4.50-FT

Pitch: 4.50mm

Type:

FH-Female Hosing MH-Male Hosing

FT-Female Terminal MT-Male Terminal

RHTECP NINGBO RHT ELECTRONIC CO.,LTD

UNITS:mm	SHEET SIZE: A4	SCALE:---	DRWN BY PAN
0~3	3~18	18~50	50~120
±0.12	±0.15	±0.3	±0.5

CHK'D BY FENG
 APPR BY ZHAN

4.50mm Pitch EL 4501 4502
 Wire To Wire Connector
 THIRD ANGLE PROJECTION

 RHTAYM1-4.50-FT