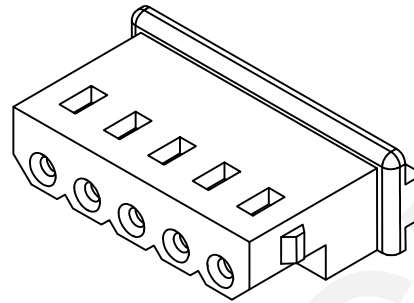
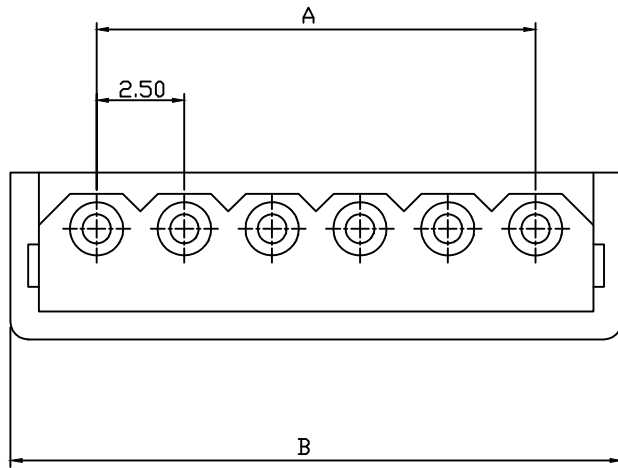
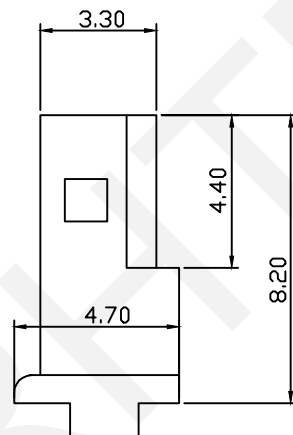
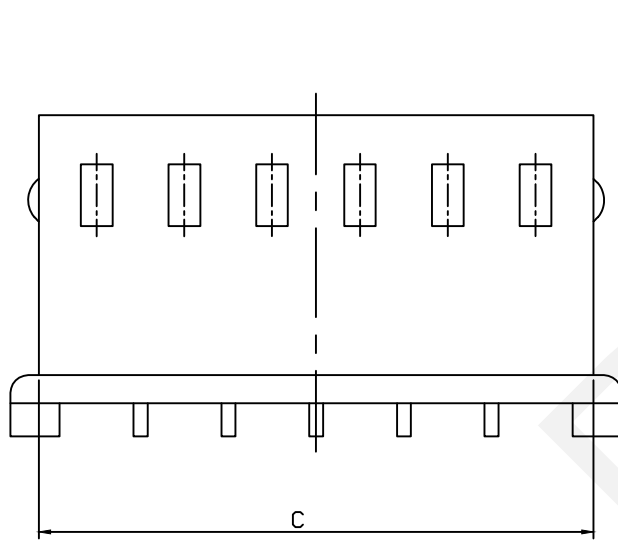


RoHS Compliance



Material:
Housing: PA66,UL94V-0,Natrual

Electrical Characteristics:
Current Rating : 3.0AMP
Voltage Rating : 250V AC,DC
Temperature Range: -25°C~+85°C
Insulator Resistance: 1000MΩ/Min.
Withstanding Voltage: 1000V AC/Minute
Contact Resistance: 20MΩ/Max



| Pin | Dimension(mm) | | |
|-----|---------------|-------|-------|
| | A | B | C |
| 02 | 2.50 | 7.40 | 5.85 |
| 03 | 5.00 | 9.90 | 8.35 |
| 04 | 7.50 | 12.40 | 10.85 |
| 05 | 10.00 | 14.90 | 13.35 |
| 06 | 12.50 | 17.40 | 15.85 |
| 07 | 15.00 | 19.90 | 18.35 |
| 08 | 17.50 | 22.40 | 20.85 |
| 09 | 20.00 | 24.90 | 23.35 |
| 10 | 22.50 | 27.40 | 25.85 |
| 11 | 25.00 | 29.90 | 28.35 |
| 12 | 27.50 | 32.40 | 30.85 |
| 13 | 30.00 | 34.90 | 33.35 |
| 14 | 32.50 | 37.40 | 35.85 |
| 15 | 35.00 | 39.90 | 38.35 |
| 16 | 37.50 | 42.40 | 40.85 |

Order Information:

RHTAYL4-2.50-XX-H

Pitch:2.50mm

XX-No.of 02~16Pin

Type:

T-Terminal H-Hosing

S-Straight Male Pin

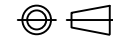
R-Right Angle Male Pin

RHTECP NINGBO RHT ELECTRONIC CO.,LTD

| | | | | | |
|----------|----------------|-------|--------|---------------|-------------|
| UNITS:mm | SHEET SIZE: A4 | | | SCALE:--- | DRWN BY PAN |
| 0~3 | 3~18 | 18~50 | 50~120 | CHK'D BY FENG | |
| ±0.12 | ±0.15 | ±0.3 | ±0.5 | APPR BY ZHAN | |

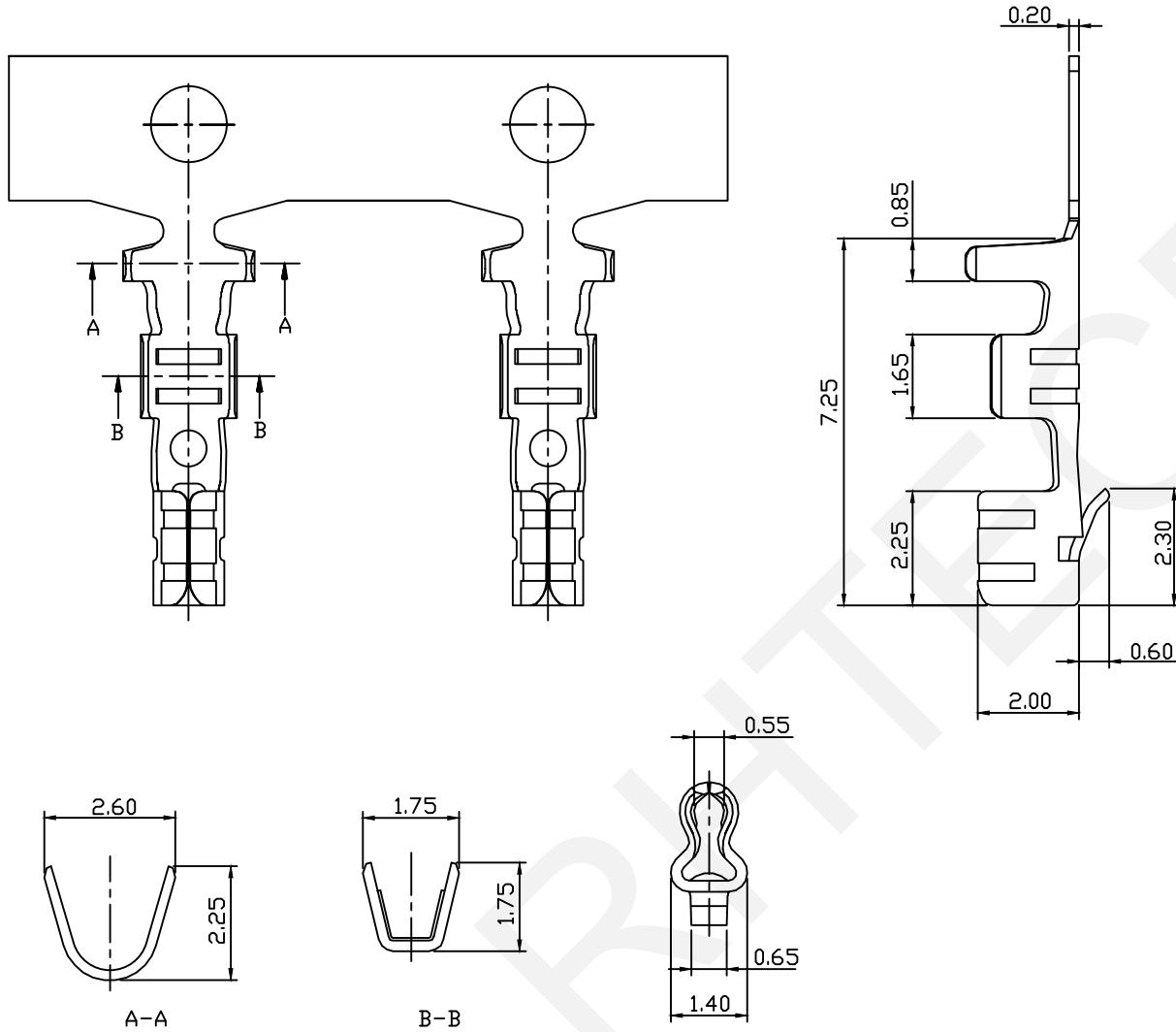
2.50mm Pitch 5264 5267 5268
Wire To Board Connector

THIRD ANGLE PROJECTION



RHTAYL4-2.50-XX-H


RoHS Compliance



Material:
 Terminal: Phosphor Bronze
 Plating: Tin plated
 Applicable Wires: AWG #22~#28
 Insulation O.D: 1.9mm
 Qty/Reel: 10000 PCS

Electrical Characteristics:
 Current Rating : 3.0AMP
 Voltage Rating : 250V AC,DC
 Temperature Range: -25°C~+85°C
 Insulator Resistance: 1000MΩ/Min.
 Withstanding Voltage: 1000V AC/Minute
 Contact Resistance: 20MΩ/Max

Order Information:
 RHTAYL4-2.50-T

Pitch: 2.50mm
 Type: 
 T-Terminal H-Hosing
 S-Straight Male Pin
 R-Right Angle Male Pin

 NINGBO RHT ELECTRONIC CO.,LTD

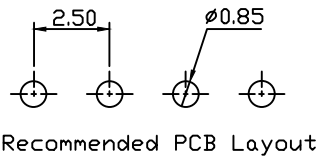
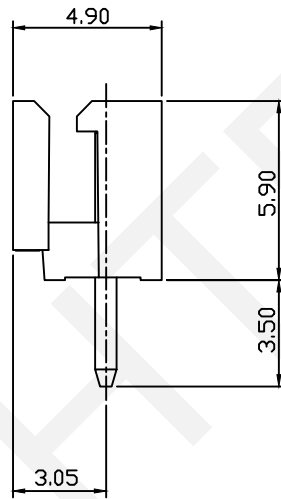
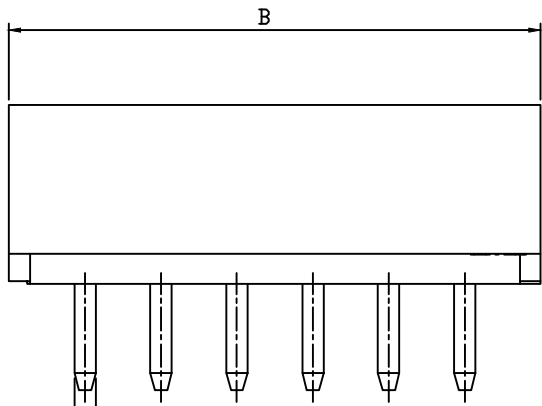
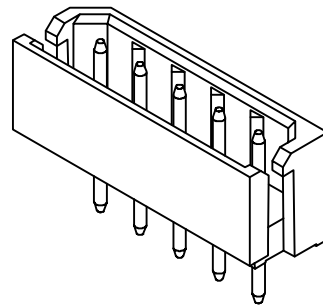
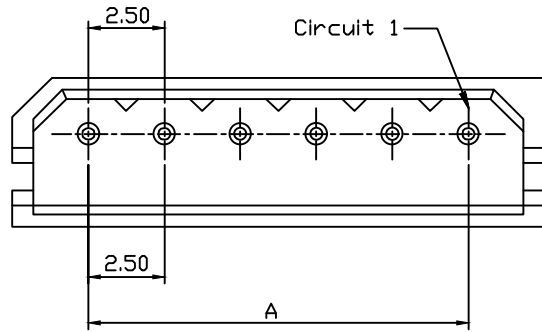
| | | | |
|----------|----------------|-----------|-------------|
| UNITS:mm | SHEET SIZE: A4 | SCALE:--- | DRWN BY PAN |
| 0~3 | 3~18 | 18~50 | 50~120 |
| ±0.12 | ±0.15 | ±0.3 | ±0.5 |

CHK'D BY FENG
 APPR BY ZHAN

2.50mm Pitch 5264 5267 5268
 Wire To Board Connector
 THIRD ANGLE PROJECTION

 RHTAYL4-2.50-T

RoHS Compliance

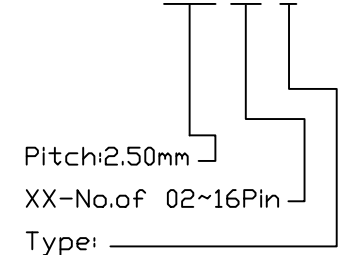


| Pin | Dimension(mm) | |
|-----|---------------|-------|
| | A | B |
| 02 | 2.50 | 7.50 |
| 03 | 5.00 | 10.00 |
| 04 | 7.50 | 12.50 |
| 05 | 10.00 | 15.00 |
| 06 | 12.50 | 17.50 |
| 07 | 15.00 | 20.00 |
| 08 | 17.50 | 22.50 |
| 09 | 20.00 | 25.00 |
| 10 | 22.50 | 27.50 |
| 11 | 25.00 | 30.00 |
| 12 | 27.50 | 32.50 |
| 13 | 30.00 | 35.00 |
| 14 | 32.50 | 37.50 |
| 15 | 35.00 | 40.00 |
| 16 | 37.50 | 42.50 |

Material:
 Housing: PA66,UL94V-0,Natrual
 Contact:Brass
 Plating: Tin plate

Electrical Characteristics:
 Current Rating : 3.0AMP
 Voltage Rating : 250V AC,DC
 Temperature Range: -25°C~+85°C
 Insulator Resistance: 1000MΩ/Min.
 Withstanding Voltage: 1000V AC/Minute
 Contact Resistance: 20MΩ/Max

Order Information:
 RHTAYL4-2.50-XX-S



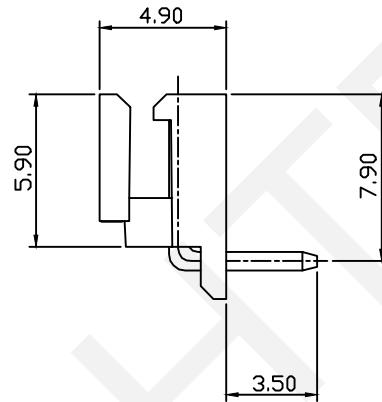
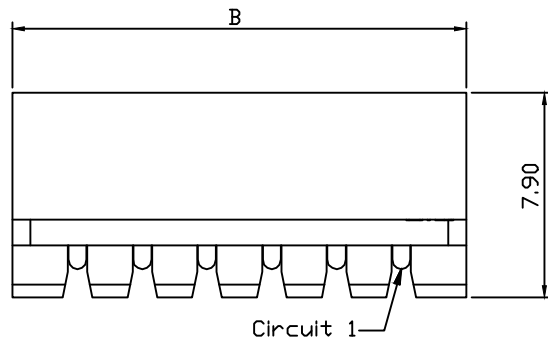
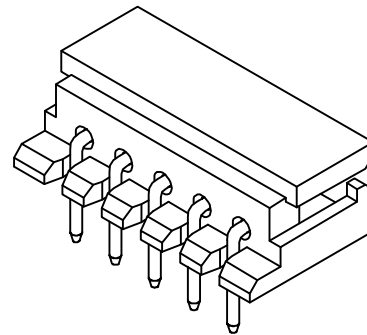
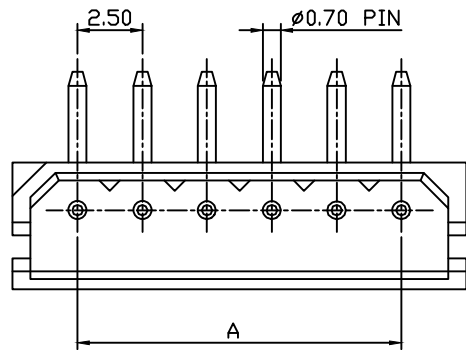
T-Terminal H-Hosing
 S-Straight Male Pin
 R-Right Angle Male Pin

RHTECP NINGBO RHT ELECTRONIC CO.,LTD

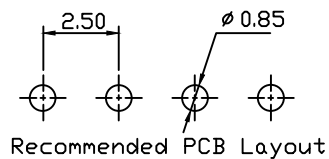
| | | | |
|----------|----------------|-----------|---------------|
| UNITS:mm | SHEET SIZE: A4 | SCALE:--- | DRWN BY PAN |
| 0~3 | 3~18 | 18~50 | 50~120 |
| ±0.12 | ±0.15 | ±0.3 | ±0.5 |
| | | | CHK'D BY FENG |
| | | | APPR BY ZHAN |

2.50mm Pitch 5264 5267 5268
 Wire To Board Connector
 THIRD ANGLE PROJECTION
 RHTAYL4-2.50-XX-S

RoHS Compliance



Circuit 1

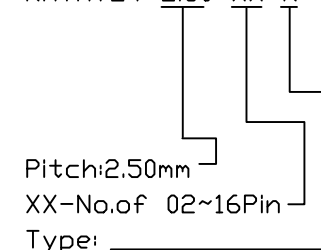


| Pin | Dimension(mm) | |
|-----|---------------|-------|
| | A | B |
| 02 | 2.50 | 7.50 |
| 03 | 5.00 | 10.00 |
| 04 | 7.50 | 12.50 |
| 05 | 10.00 | 15.00 |
| 06 | 12.50 | 17.50 |
| 07 | 15.00 | 20.00 |
| 08 | 17.50 | 22.50 |
| 09 | 20.00 | 25.00 |
| 10 | 22.50 | 27.50 |
| 11 | 25.00 | 30.00 |
| 12 | 27.50 | 32.50 |
| 13 | 30.00 | 35.00 |
| 14 | 32.50 | 37.50 |
| 15 | 35.00 | 40.00 |
| 16 | 37.50 | 42.50 |

Material:
Housing: PA66,UL94V-0,Natrual
Contact:Brass
Plating: Tin plate

Electrical Characteristics:
Current Rating : 3.0AMP
Voltage Rating : 250V AC,DC
Temperature Range: -25°C~+85°C
Insulator Resistance: 1000MΩ/Min.
Withstanding Voltage: 1000V AC/Minute
Contact Resistance: 20MΩ/Max

Order Information:
RHTAYL4-2.50-XX-R



Pitch:2.50mm
XX-No.of 02~16Pin
Type: _____
T-Terminal H-Hosing
S-Straight Male Pin
R-Right Angle Male Pin

RHTECP NINGBO RHT ELECTRONIC CO.,LTD

| | | | | | |
|----------|----------------|-------|--------|---------------|-------------|
| UNITS:mm | SHEET SIZE: A4 | | | SCALE:--- | DRWN BY PAN |
| 0~3 | 3~18 | 18~50 | 50~120 | CHK'D BY FENG | |
| ±0.12 | ±0.15 | ±0.3 | ±0.5 | APPR BY ZHAN | |

2.50mm Pitch 5264 5267 5268
Wire To Board Connector
THIRD ANGLE PROJECTION
 RHTAYL4-2.50-XX-R