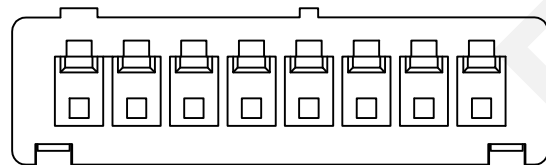
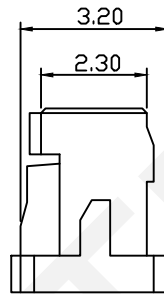
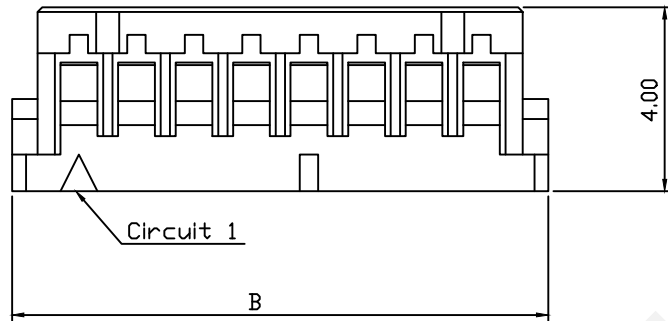
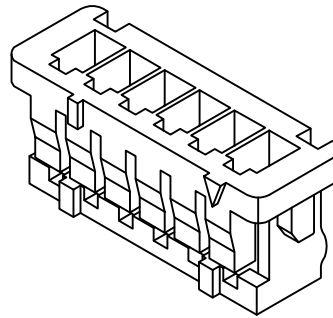
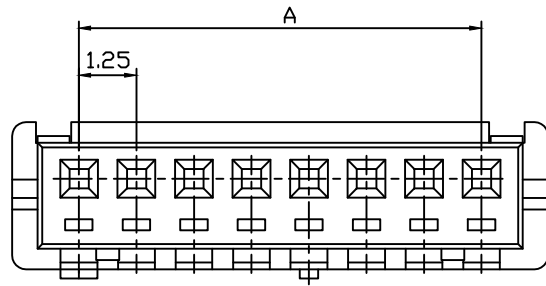


RoHS Compliance



Material:
Housing: PA66,UL94V-0,Color:Gray

Electrical Characteristics:
Current Rating: 1.0A AC,DC
Voltage Rating: 150V AC,DC
Temperature Range: -35°C~+85°C
Insulator Resistance: 100MΩ/Min.
Withstanding Voltage: 500V AC/Minute
Contact Resistance: 30MΩ/Max

Pin	Dimension(mm)	
	A	B
02	1.25	4.15
03	2.50	5.40
04	3.75	6.65
05	5.00	7.90
06	15.70	9.15
07	6.25	10.40
08	7.50	11.65
09	8.75	12.90
10	10.00	14.15
11	11.25	15.40
12	13.75	16.65
13	15.00	17.90
14	16.25	19.15
15	17.50	20.40

Order Information:
RHTAYL4-1.25-1-XX-H

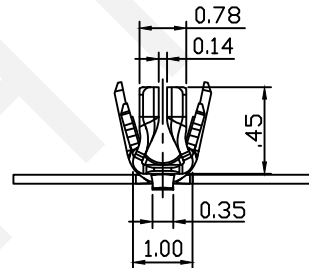
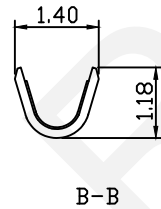
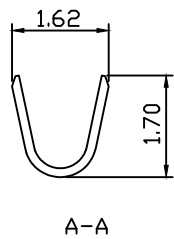
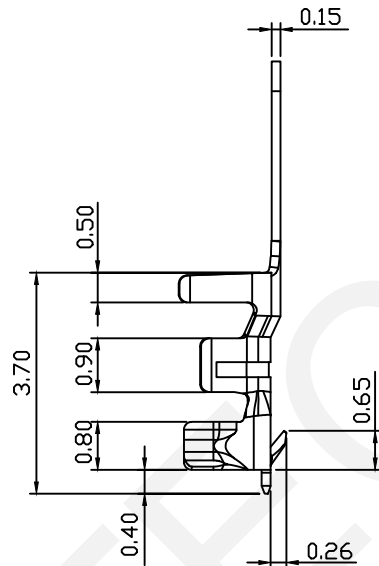
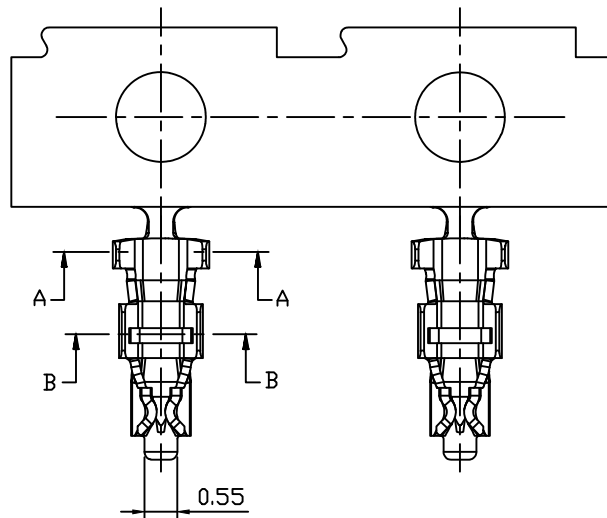
Pitch:1.25mm
1-Single Layer
XX-No.of 02~15 Pins
Type: _____
H-Hosing T-Terminal
S-Straight Male Pin
R-Right Angle Male Pin
VM-Vertical SMT Pin
RM-Horizontal SMT Pin

NINGBO RHT ELECTRONIC CO.,LTD

UNITS:mm	SHEET SIZE: A4	SCALE:---	DRWN BY PAN
0~3	3~18	18~50	50~120
±0.12	±0.15	±0.3	±0.5
CHK'D BY FENG		APPR BY ZHAN	

1.25mm Pitch DF13 Type
Wire To Board Connector Single Row
THIRD ANGLE PROJECTION
 RHTAYL4-1.25-1-XX-H

RoHS Compliance



Material:

Terminal: Phosphor Bronze

Plating: Tin plated

Applicable Wires: AWG #26~#30

Insulation O.D: 1.00mm Max

Qty/Reel: 20000 PCS

Electrical Characteristics:

Current Rating : 1.0A AC,DC

Voltage Rating : 150V AC,DC

Temperature Range: -35°C~+85°C

Insulator Resistance: 100MΩ/Min.

Withstanding Voltage: 500V AC/Minute

Contact Resistance: 30MΩ/Max

Order Information:

RHTAYL4-1.25-T

Pitch: 1.25mm

Type:

H-Hosing T-Terminal

S-Straight Male Pin

R-Right Angle Male Pin

VM-Vertical SMT Pin

RM-Horizontal SMT Pin

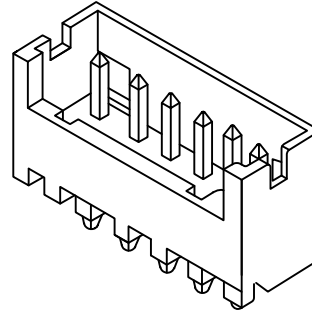
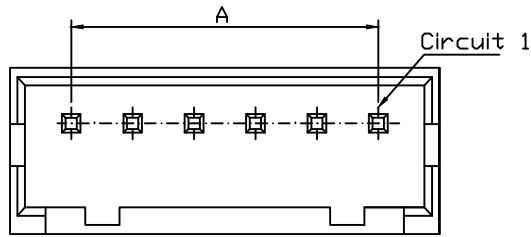
RHTECP NINGBO RHT ELECTRONIC CO.,LTD

UNITS:mm	SHEET SIZE: A4	SCALE:---	DRWN BY PAN
0~3	3~18	18~50	50~120
±0.12	±0.15	±0.3	±0.5

CHK'D BY FENG
APPR BY ZHAN

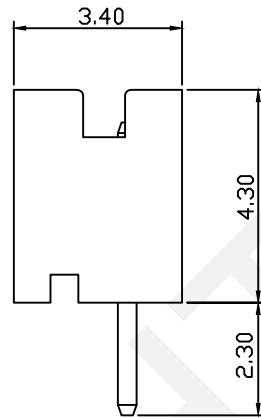
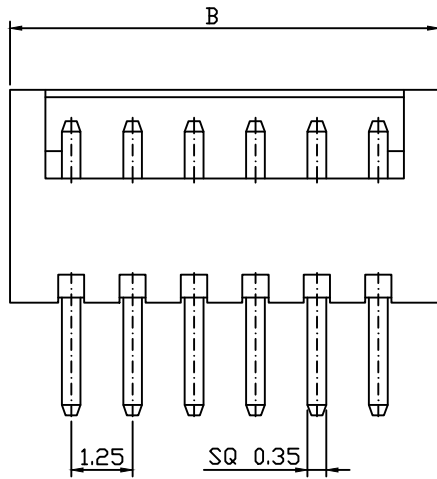
1.25mm Pitch DF13 Type Wire To Board Connector Single Row	
THIRD ANGLE PROJECTION 	RHTAYL4-1.25-T

RoHS Compliance



Material:
 Housing: PA66,UL94V-0
 Color:Natrual
 Pin:Brass,Gold-flash

Electrical Characteristics:
 Current Rating: 1.0A AC,DC
 Voltage Rating: 150V AC,DC
 Temperature Range: -35°C~+85°C
 Insulator Resistance: 100MΩ/Min.
 Withstanding Voltage: 500V AC/Minute
 Contact Resistance: 30MΩ/Max



Pin	Dimension(mm)	
	A	B
02	1.25	3.75
03	2.50	5.00
04	3.75	6.25
05	5.00	7.50
06	15.70	8.75
07	6.25	10.00
08	7.50	11.25
09	8.75	12.50
10	10.00	13.75
11	11.25	15.00
12	13.75	16.25
13	15.00	17.50
14	16.25	18.75
15	17.50	20.00

Order Information:

RHTAYL4-1.25-1-XX-S

Pitch:1.25mm

1-Single Layer

XX-No.of 02~15 Pins

Type:

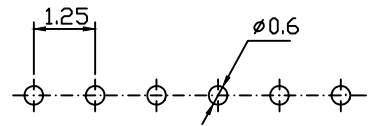
H-Hosing T-Terminal

S-Straight Male Pin

R-Right Angle Male Pin

VM-Vertical SMT Pin

RM-Horizontal SMT Pin



Recommended PCB Layout

UNITS:mm	SHEET SIZE: A4	SCALE:---	DRWN BY PAN
0~3	3~18	18~50	50~120
±0.12	±0.15	±0.3	±0.5
CHK'D BY FENG		APPR BY ZHAN	

1.25mm Pitch DF13 Type
 Wire To Board Connector Single Row

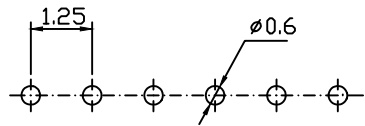
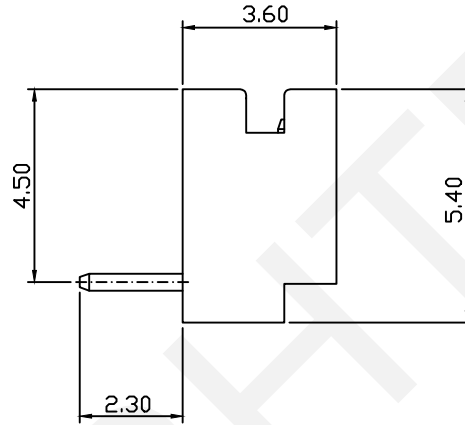
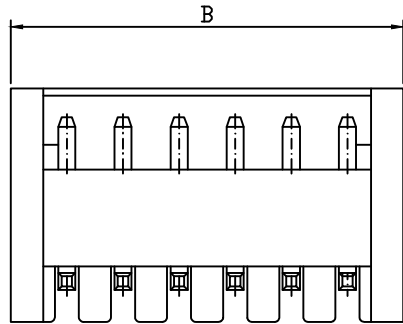
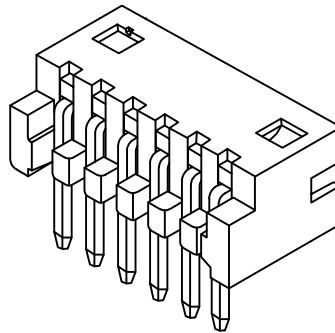
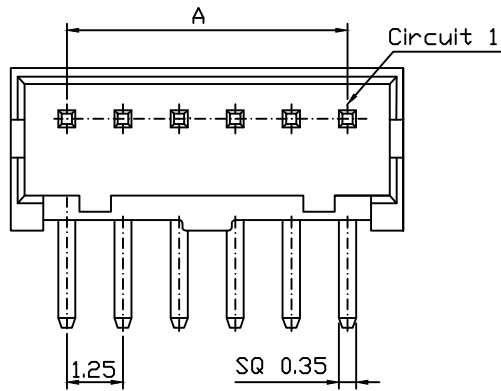
THIRD ANGLE PROJECTION

RHTAYL4-1.25-1-XX-S



NINGBO RHT ELECTRONIC CO.,LTD

RoHS Compliance



Recommended PCB Layout

Material:

Housing: PA66,UL94V-0

Color:Natrual

Pin:Brass,Tin-plated

Electrical Characteristics:

Current Rating: 1.0A AC,DC

Voltage Rating: 150V AC,DC

Temperature Range: -35°C~+85°C

Insulator Resistance: 100MΩ/Min.

Withstanding Voltage: 500V AC/Minute

Contact Resistance: 30MΩ/Max

Pin	Dimension(mm)	
	A	B
02	1.25	3.75
03	2.50	5.00
04	3.75	6.25
05	5.00	7.50
06	15.70	8.75
07	6.25	10.00
08	7.50	11.25
09	8.75	12.50
10	10.00	13.75
11	11.25	15.00
12	13.75	16.25
13	15.00	17.50
14	16.25	18.75
15	17.50	20.00

Order Information:

RHTAYL4-1.25-1-XX-R

Pitch:1.25mm

1-Single Layer

XX-No.of 02~15 Pins

Type:

H-Hosing T-Terminal

S-Straight Male Pin

R-Right Angle Male Pin

VM-Vertical SMT Pin

RM-Horizontal SMT Pin

RHTECP NINGBO RHT ELECTRONIC CO.,LTD

UNITS:mm	SHEET SIZE: A4	SCALE:---	DRWN BY PAN
0~3	3~18	18~50	50~120
±0.12	±0.15	±0.3	±0.5

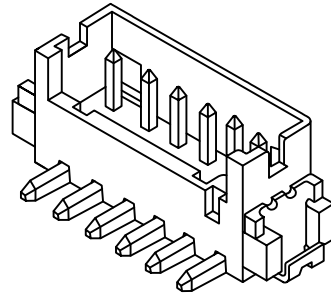
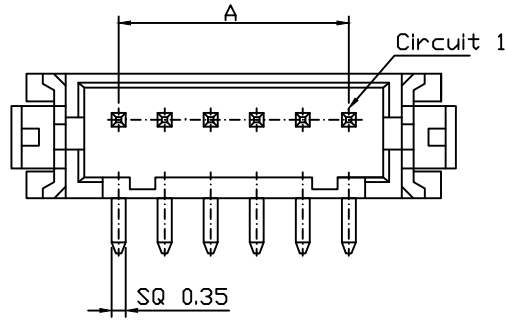
CHK'D BY FENG
APPR BY ZHAN

1.25mm Pitch DF13 Type
Wire To Board Connector Single Row

THIRD ANGLE PROJECTION

RHTAYL4-1.25-1-XX-R

RoHS Compliance



Material:

Housing: PA6T,UL94V-0,Color:Natrual

Pin:Brass,Tin-plated

Solder Tabs:Phospor Bronze,Tin-plated

Electrical Characteristics:

Current Rating: 1.0A AC,DC

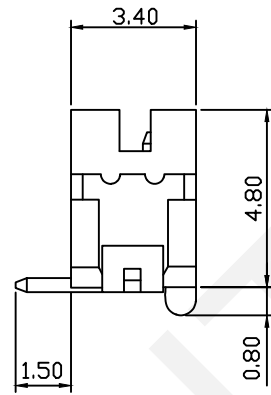
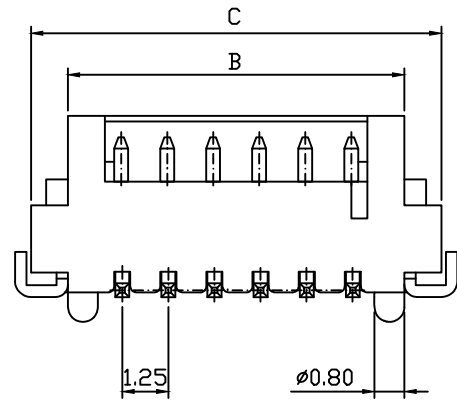
Voltage Rating: 150V AC,DC

Temperature Range: -35°C~+85°C

Insulator Resistance: 100MΩ/Min.

Withstanding Voltage: 500V AC/Minute

Contact Resistance: 30MΩ/Max



Pin	Dimension(mm)		
	A	B	C
02	1.25	4.15	6.25
03	2.50	5.40	7.50
04	3.75	6.65	8.75
05	5.00	7.90	10.00
06	6.25	9.15	11.25
07	7.50	10.40	12.50
08	8.75	11.65	13.75
09	10.00	12.90	15.00
10	11.25	14.15	16.25
11	12.50	15.40	17.50
12	13.75	16.65	18.75
13	15.00	17.90	20.00
14	16.25	19.15	21.25
15	17.50	20.40	22.50

Order Information:

RHTAYL4-1.25-1-XX-VM

Pitch:1.25mm

1-Single Layer

XX-No.of 02~15 Pins

Type:

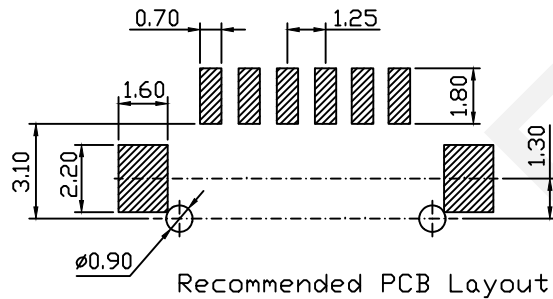
H-Hosing T-Terminal

S-Straight Male Pin

R-Right Angle Male Pin

VM-Vertical SMT Pin

RM-Horizontal SMT Pin



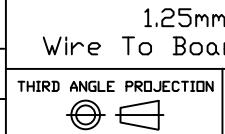
Recommended PCB Layout



NINGBO RHT ELECTRONIC CO.,LTD

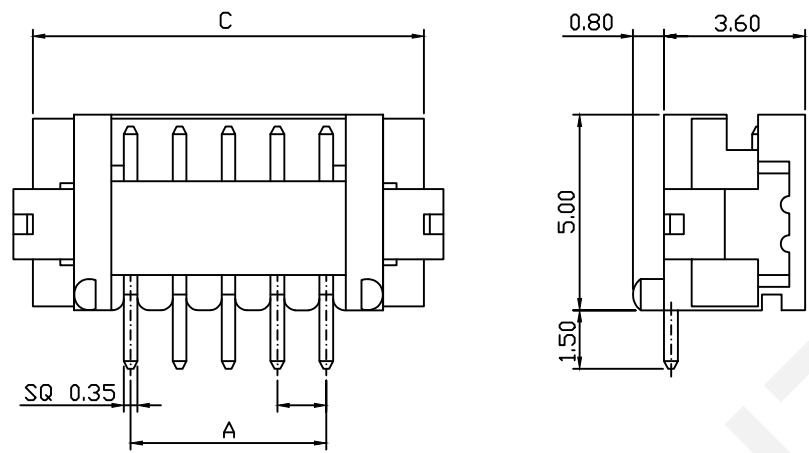
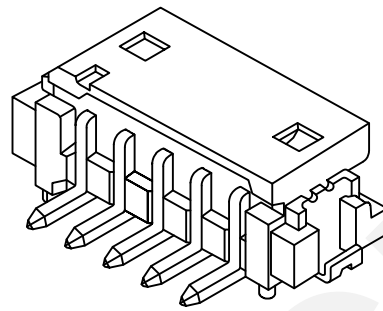
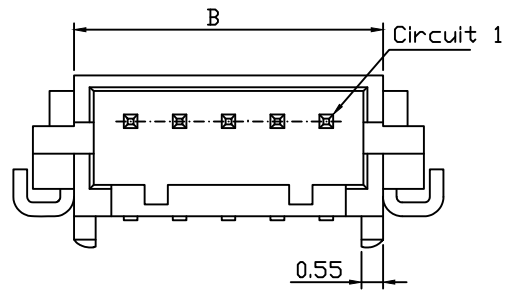
UNITS:mm	SHEET SIZE: A4	SCALE:---	DRWN BY PAN
0~3	3~18	18~50	50~120
±0.12	±0.15	±0.3	±0.5

CHK'D BY FENG
APPR BY ZHAN



1.25mm Pitch DF13 Type
Wire To Board Connector Single Row
RHTAYL4-1.25-1-XX-VM

RoHS Compliance

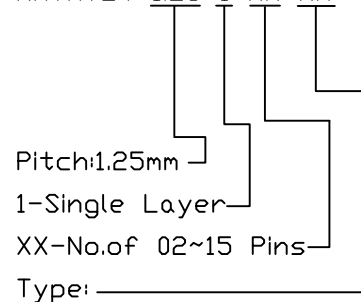


Pin	Dimension(mm)		
	A	B	C
02	1.25	4.15	6.25
03	2.50	5.40	7.50
04	3.75	6.65	8.75
05	5.00	7.90	10.00
06	15.70	9.15	11.25
07	6.25	10.40	12.50
08	7.50	11.65	13.75
09	8.75	12.90	15.00
10	10.00	14.15	16.25
11	11.25	15.40	17.50
12	13.75	16.65	18.75
13	15.00	17.90	20.00
14	16.25	19.15	21.25
15	17.50	20.40	22.50

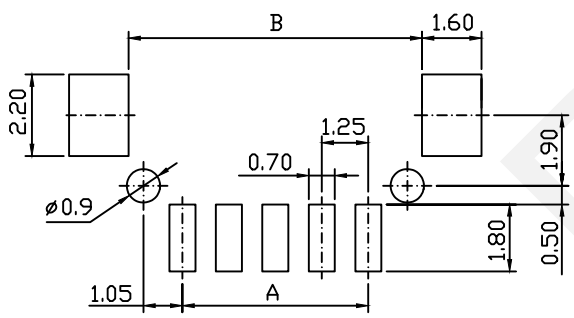
Material:
 Housing: PA6T,UL94V-0,Color:Natrual
 Pin:Brass,Tin-plated
 Solder Tabs:Phosphor Bronze,Tin-plated

Electrical Characteristics:
 Current Rating: 1.0A AC,DC
 Voltage Rating: 150V AC,DC
 Temperature Range: -35°C~+85°C
 Insulator Resistance: 100MΩ/Min.
 Withstanding Voltage: 500V AC/Minute
 Contact Resistance: 30MΩ/Max

Order Information:
 RHTAYL4-1.25-1-XX-RM



H-Hosing T-Terminal
 S-Straight Male Pin
 R-Right Angle Male Pin
 VM-Vertical SMT Pin
 RM-Horizontal SMT Pin



UNITS:mm	SHEET SIZE: A4	SCALE:---	DRWN BY PAN
0~3	3~18	18~50	50~120
±0.12	±0.15	±0.3	±0.5
			CHK'D BY FENG
			APPR BY ZHAN

1.25mm Pitch DF13 Type
 Wire To Board Connector Single Row
 THIRD ANGLE PROJECTION
 RHTAYL4-1.25-1-XX-RM

NINGBO RHT ELECTRONIC CO.,LTD