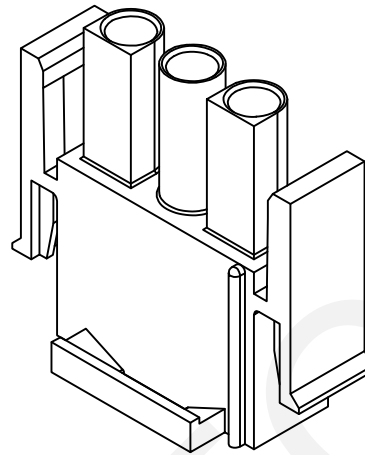
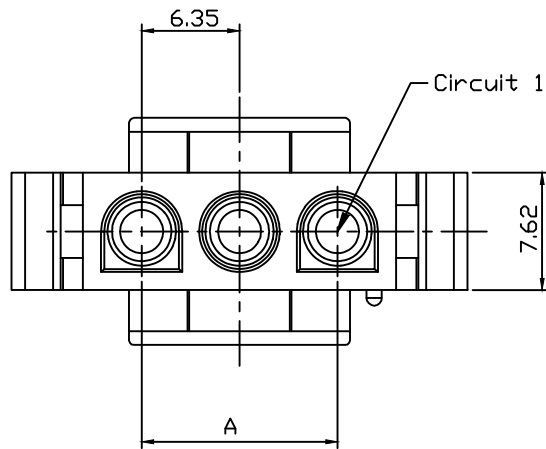


RoHS Compliance



Material:

Housing: PA66,UL94V-0/UL94V-2

Electrical Characteristics:

Rated Current: 15.0AMP

Voltage Rating: 600V AC,DC

Temperature Range: -25°C~+85°C

Insulator Resistance: 1000MΩ/Min.

Withstand Voltage: 5000V AC/DC

Contact Resistance: 3.5MΩ/Max

Order Information:

RHTAYL1-6.35-1xXX-FH

Pitch:6.35mm

Row:1-Single Layer

2-Double Layer

3-Three Layer

XX-No.of 02~08 Pins

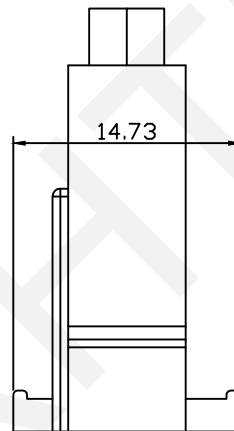
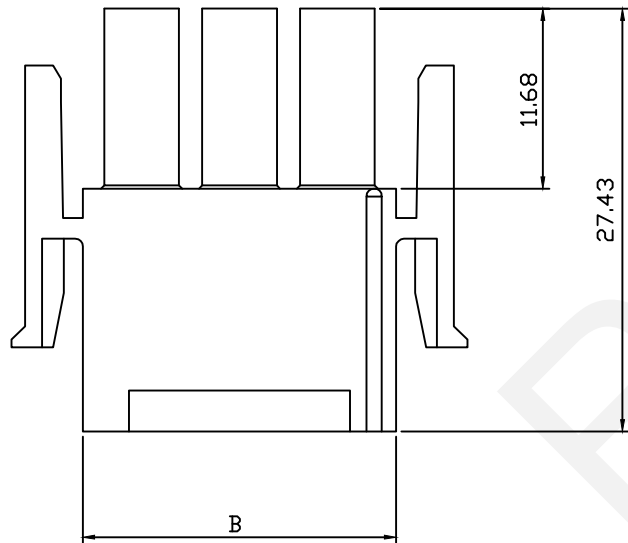
Type:

FH-Female Hosing MH-Male Hosing

FT-Female Terminal MT-Male Terminal

S/SW-Straight Male Pin

R-Right Angle Male Pin

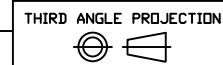


Pin	Dimensions(mm)	
	A	B
02	6.35	13.97
03	12.70	20.32
04	19.05	26.67
05	25.40	33.02
06	31.75	39.37
08	44.45	52.07

**RHTECP** NINGBO RHT ELECTRONIC CO.,LTD

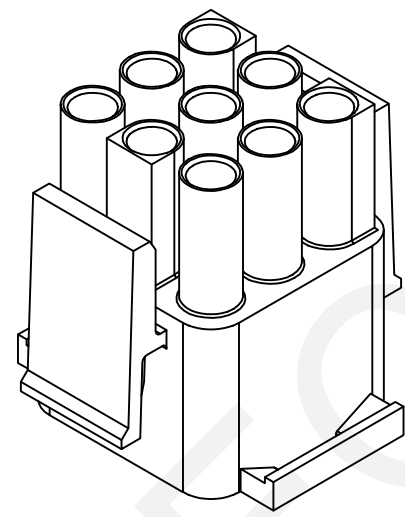
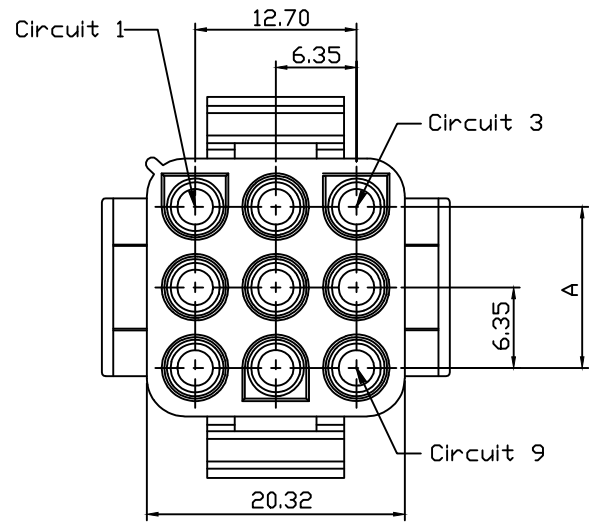
UNITS:mm	SHEET SIZE: A4	SCALE:---	DRWN BY PAN
0~3	3~18	18~50	50~120
±0.12	±0.15	±0.3	±0.5
CHK'D BY FENG		APPR BY ZHAN	

6.35mm Pitch 42021 42022 43255  
Wire To Board Connector



RHTAYL1-6.35-1xXX-FH

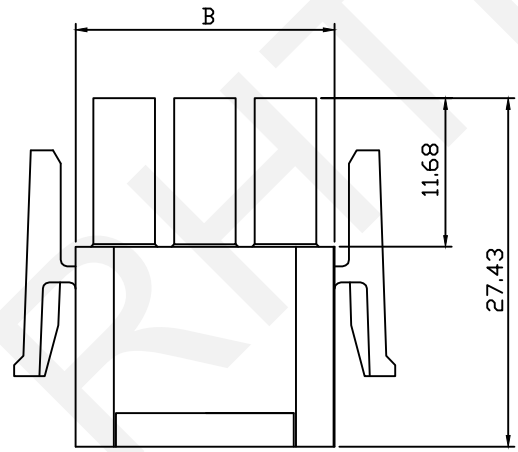
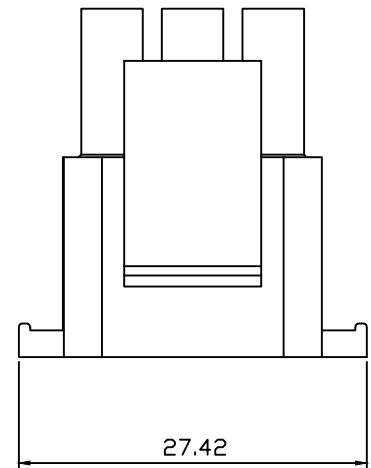
RoHS Compliance



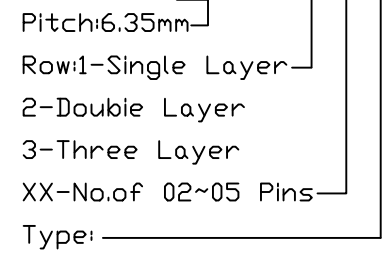
Material:  
Housing: PA66,UL94V-0/UL94V-2

Electrical Characteristics:  
Rated Current: 15.0AMP  
Voltage Rating: 600V AC,DC  
Temperature Range: -25°C~+85°C  
Insulator Resistance: 1000MΩ/Min.  
Withstand Voltage: 5000V AC/DC  
Contact Resistance: 3.5MΩ/Max

Order Information:  
RHTAYL1-6.35-3xXX-FH



Pin	Dimensions(mm)	
	A	B
02	6.35	13.97
03	12.70	20.32
04	19.05	26.67
05	25.40	33.02



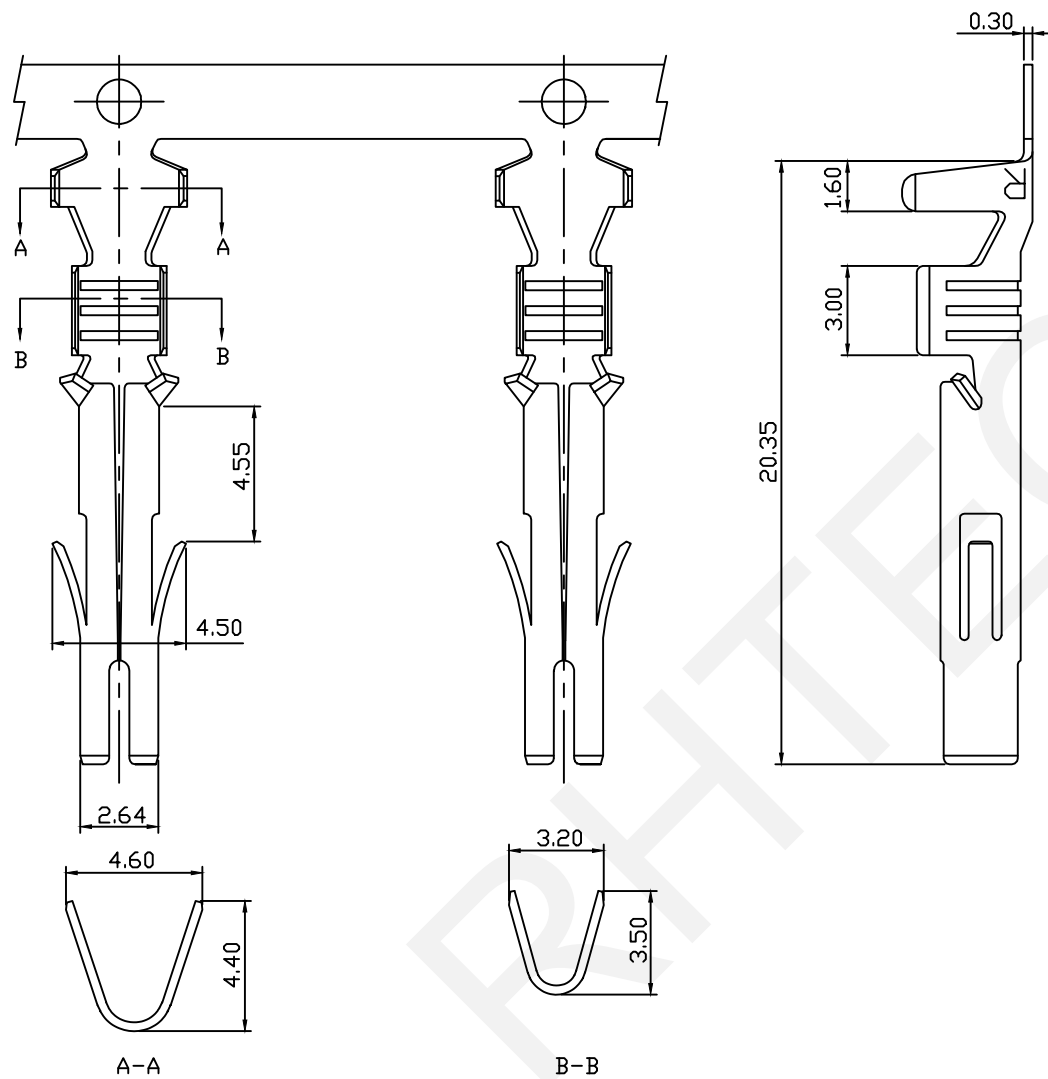
Type: \_\_\_\_\_  
FH-Female Hosing MH-Male Hosing  
FT-Female Terminal MT-Male Terminal  
S/SW-Straight Male Pin  
R-Right Angle Male Pin

**RHTECP** NINGBO RHT ELECTRONIC CO.,LTD

UNITS:mm	SHEET SIZE: A4			SCALE:---	DRWN BY PAN
0~3	3~18	18~50	50~120	CHK'D BY FENG	
±0.12	±0.15	±0.3	±0.5	APPR BY ZHAN	

6.35mm Pitch 42021 42022 43255  
Wire To Board Connector  
THIRD ANGLE PROJECTION  
 RHTAYL1-6.35-3xXX-FH

RoHS Compliance



Material:  
 Terminal: Brass  
 Plating: Tin plated .  
 Applicable Wires: AWG #14~#20  
 Insulation O.D.: 3.30mm Max  
 Qty/Reel: 4000 PCS

Electrical Characteristics:  
 Rated Current : 15.0AMP  
 Voltage Rating : 600V AC,DC  
 Temperature Range: -25°C~+85°C  
 Insulator Resistance: 1000MΩ/Min.  
 Withstanding Voltage: 5000V AC/Minute  
 Contact Resistance: 3.5MΩ/Max

Order Information:  
 RHTAYL1-6.35-FT

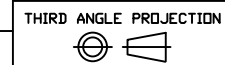
Pitch: 6.35mm  
 Type: \_\_\_\_\_

FH-Female Hosing MH-Male Hosing  
 FT-Female Terminal MT-Male Terminal  
 S/SW-Straight Male Pin  
 R-Right Angle Male Pin

**RHTECP** NINGBO RHT ELECTRONIC CO.,LTD

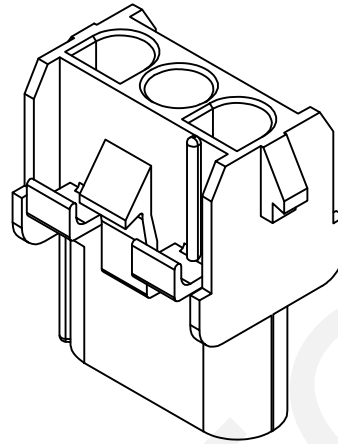
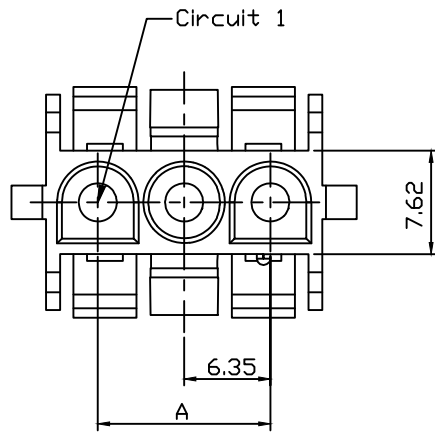
UNITS:mm	SHEET SIZE: A4		SCALE:---	DRWN BY PAN
0~3	3~18	18~50	50~120	CHK'D BY FENG
±0.12	±0.15	±0.3	±0.5	APPR BY ZHAN

6.35mm Pitch 42021 42022 43255  
 Wire To Board Connector



RHTAYL1-6.35-FT

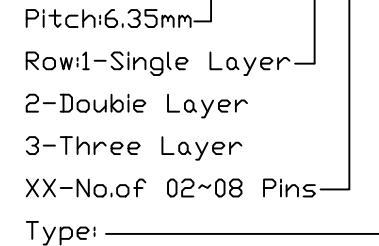
RoHS Compliance



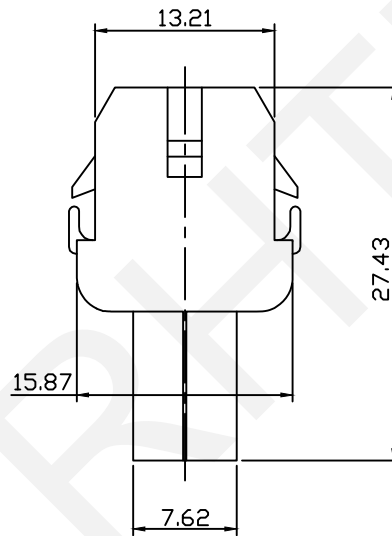
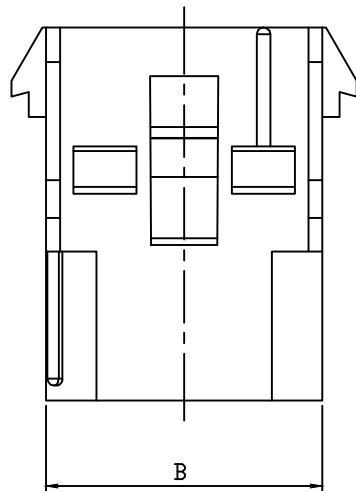
Material:  
Housing: PA66,UL94V-0/UL94V-2

Electrical Characteristics:  
Rated Current: 15.0AMP  
Voltage Rating: 600V AC,DC  
Temperature Range: -25°C~+85°C  
Insulator Resistance: 1000MΩ/Min.  
Withstand Voltage: 5000V AC/DC  
Contact Resistance: 3.5MΩ/Max

Order Information:  
RHTAYL1-6.35-1xXX-MH



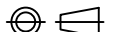
Pitch:6.35mm  
Row:1-Single Layer  
2-Double Layer  
3-Three Layer  
XX-No.of 02~08 Pins  
Type: \_\_\_\_\_  
FH-Female Hosing MH-Male Hosing  
FT-Female Terminal MT-Male Terminal  
S/SW-Straight Male Pin  
R-Right Angle Male Pin



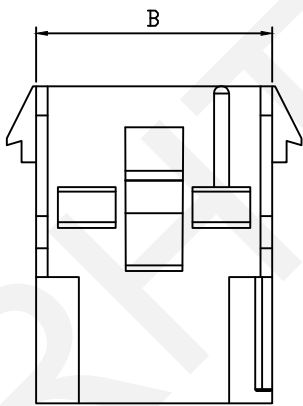
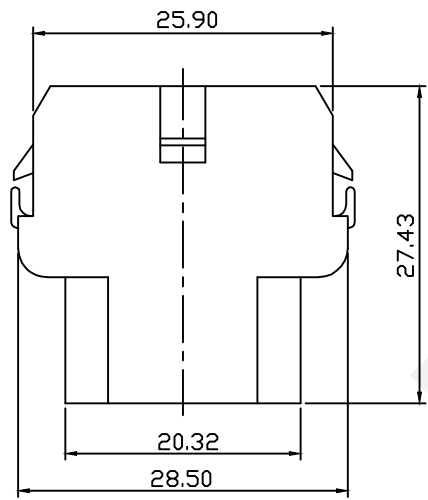
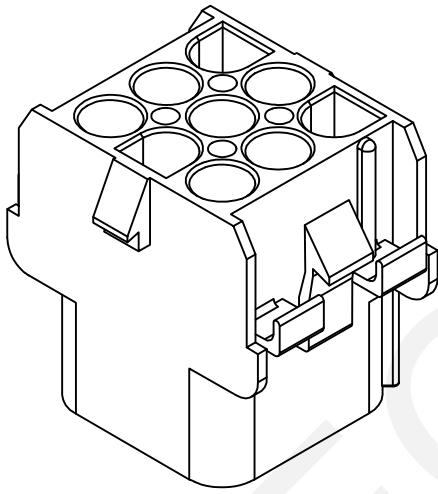
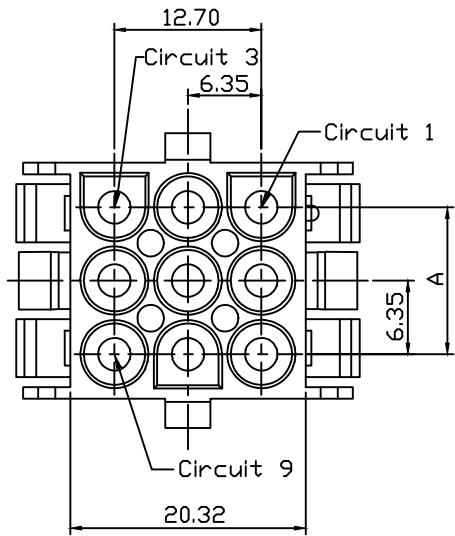
Pin	Dimensions(mm)	
	A	B
02	6.35	13.97
03	12.70	20.32
04	19.05	26.67
05	25.40	33.02
06	31.75	39.37
08	44.45	52.07

**RHTECP** NINGBO RHT ELECTRONIC CO.,LTD

UNITS:mm	SHEET SIZE: A4	SCALE:---	DRWN BY PAN
0~3	3~18	18~50	50~120
±0.12	±0.15	±0.3	±0.5
CHK'D BY FENG		APPR BY ZHAN	

6.35mm Pitch 42021 42022 43255  
Wire To Board Connector  
THIRD ANGLE PROJECTION  
  
RHTAYL1-6.35-1xXX-MH

RoHS Compliance



Pin	Dimensions(mm)	
	A	B
02	6.35	13.97
03	12.70	20.32
04	19.05	26.67
05	25.40	33.02

Material:  
Housing: PA66,UL94V-0/UL94V-2

Electrical Characteristics:  
Rated Current: 15.0AMP  
Voltage Rating: 600V AC,DC  
Temperature Range: -25°C~+85°C  
Insulator Resistance: 1000MΩ/Min.  
Withstand Voltage: 5000V AC/DC  
Contact Resistance: 3.5MΩ/Max

Order Information:  
RHTAYL1-6.35-3xXX-MH  
Pitch:6.35mm  
Row:1-Single Layer  
2-Double Layer  
3-Three Layer  
XX-No.of 02~05 Pins  
Type: \_\_\_\_\_

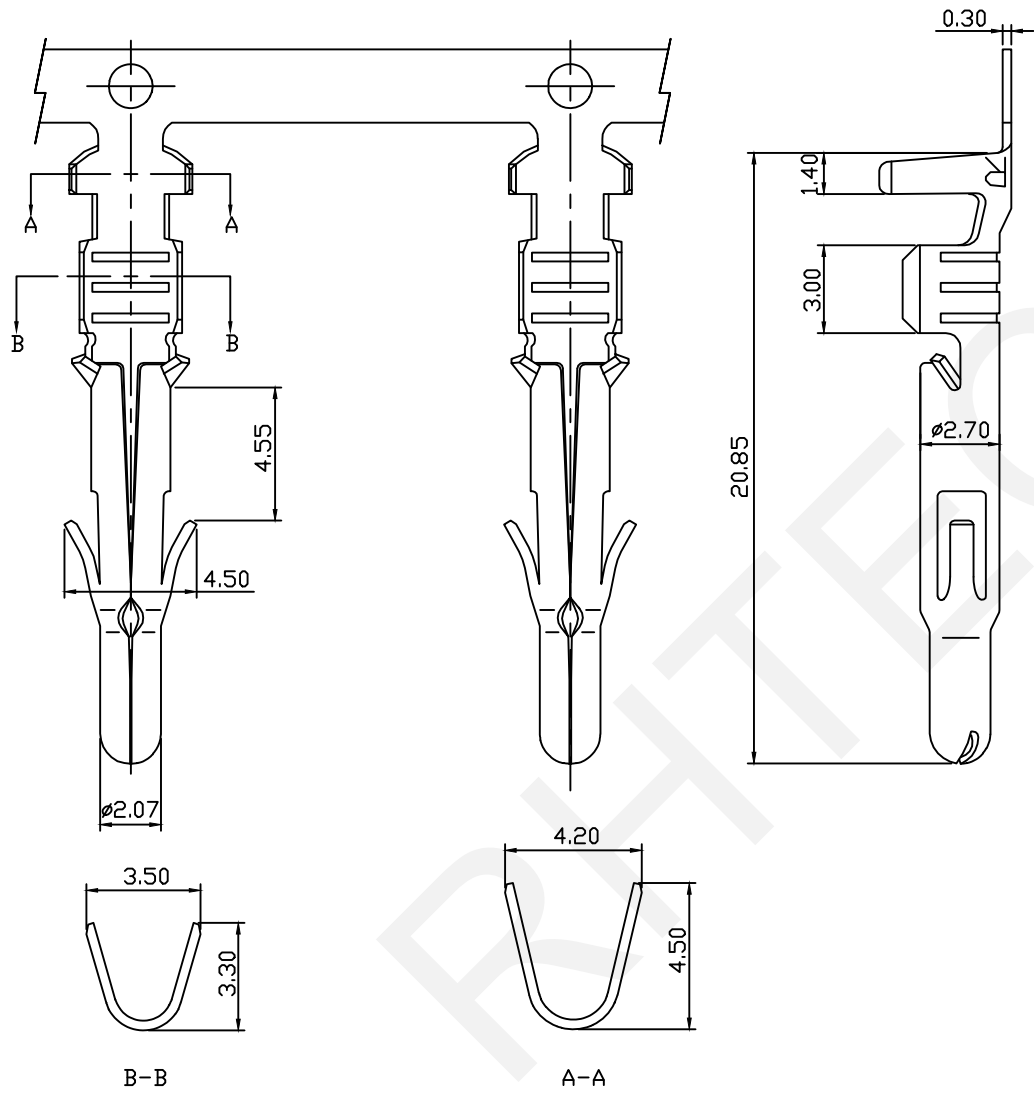
FH-Female Hosing MH-Male Hosing  
FT-Female Terminal MT-Male Terminal  
S/SW-Straight Male Pin  
R-Right Angle Male Pin

**RHTECP** NINGBO RHT ELECTRONIC CO.,LTD

UNITS:mm	SHEET SIZE: A4	SCALE:---	DRWN BY PAN
0~3	3~18	18~50	50~120
±0.12	±0.15	±0.3	±0.5
			CHK'D BY FENG
			APPR BY ZHAN

6.35mm Pitch 42021 42022 43255  
Wire To Board Connector  
THIRD ANGLE PROJECTION  
 RHTAYL1-6.35-3xXX-MH

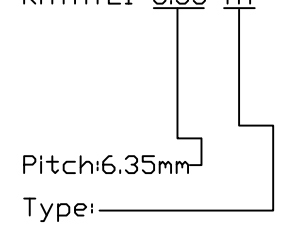
RoHS Compliance



Material:  
 Terminal: Brass  
 Plating: Tin plated .  
 Applicable Wires: AWG #14~#20  
 Insulation O.D.: 3.30mm Max  
 Qty/Reel: 4000 PCS

Electrical Characteristics:  
 Rated Current : 15.0AMP  
 Voltage Rating : 600V AC,DC  
 Temperature Range: -25°C~+85°C  
 Insulator Resistance: 1000M $\Omega$ /Min.  
 Withstanding Voltage: 5000V AC/Minute  
 Contact Resistance: 3.5M $\Omega$ /Max

Order Information:  
 RHTAYL1-6.35-MT



FH-Female Hosing MH-Male Hosing  
 FT-Female Terminal MT-Male Terminal  
 S/SW-Straight Male Pin  
 R-Right Angle Male Pin

**RHTECP** NINGBO RHT ELECTRONIC CO.,LTD

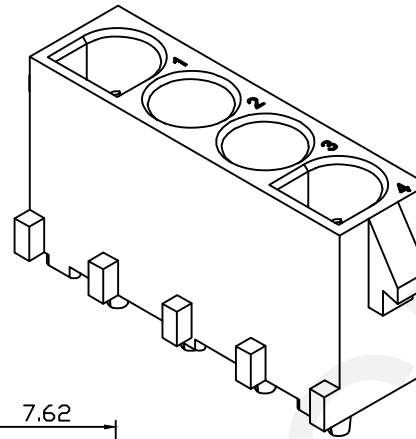
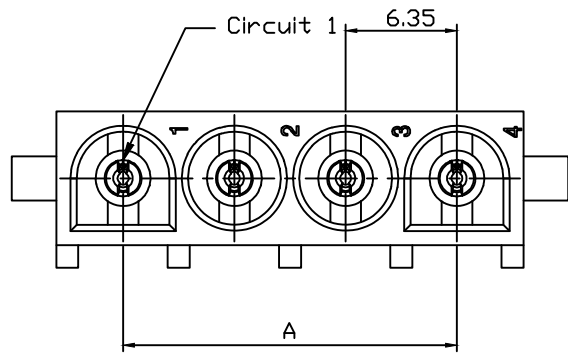
UNITS:mm	SHEET SIZE: A4		SCALE:---	DRWN BY PAN
0~3	3~18	18~50	50~120	CHK'D BY FENG
$\pm 0.12$	$\pm 0.15$	$\pm 0.3$	$\pm 0.5$	APPR BY ZHAN

6.35mm Pitch 42021 42022 43255  
 Wire To Board Connector

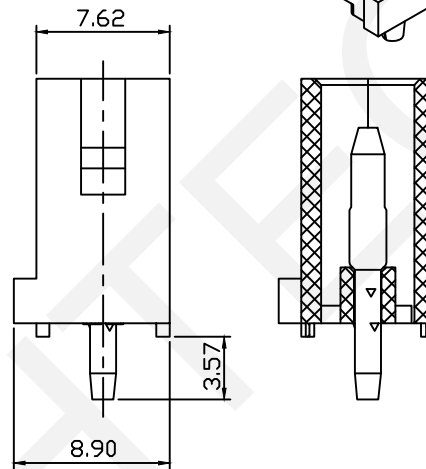
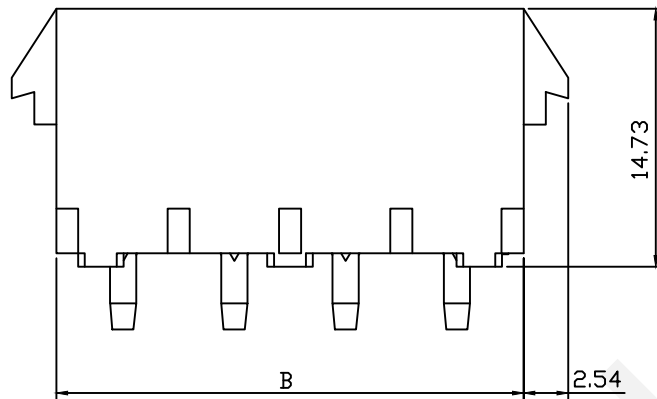
THIRD ANGLE PROJECTION

RHTAYL1-6.35-MT

RoHS Compliance



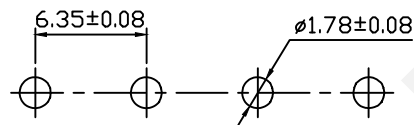
Material:  
 Housing: PA66,UL94V-0/UL94V-2  
 Contact:Brass  
 Plating: Tin plated  
 Electrical Characteristics:  
 Rated Current: 15.0AMP  
 Voltage Rating: 600V AC,DC  
 Temperature Range: -25°C~+85°C  
 Insulator Resistance: 1000MΩ/Min.  
 Withstand Voltage: 5000V AC/DC  
 Contact Resistance: 3.5MΩ/Max



Order Information:  
 RHTAYL1-6.35-1×XX-S

Pitch:6.35mm  
 Row:1-Single Layer  
 2-Double Layer  
 3-Three Layer  
 XX-No.of 02~08 Pins  
 Type: \_\_\_\_\_

FH-Female Hosing MH-Male Hosing  
 FT-Female Terminal MT-Male Terminal  
 S/SW-Straight Male Pin  
 R-Right Angle Male Pin



PCB Layout

Pin	Dimensions(mm)	
	A	B
02	6.35	13.97
03	12.70	20.32
04	19.05	26.67
05	25.40	33.02
06	31.75	39.37
08	44.45	52.07

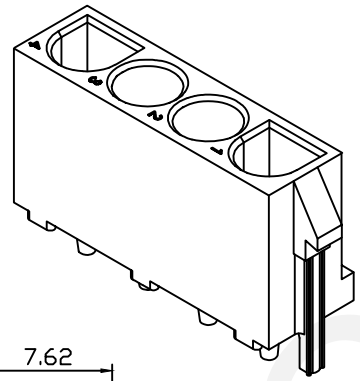
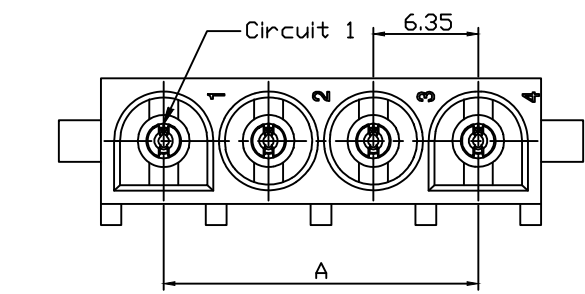
UNITS:mm	SHEET SIZE: A4	SCALE:---	DRWN BY PAN
0~3	3~18	18~50	50~120
±0.12	±0.15	±0.3	±0.5
CHK'D BY FENG		APPR BY ZHAN	

6.35mm Pitch 42021 42022 43255 Wire To Board Connector	
THIRD ANGLE PROJECTION 	RHTAYL1-6.35-1×XX-S

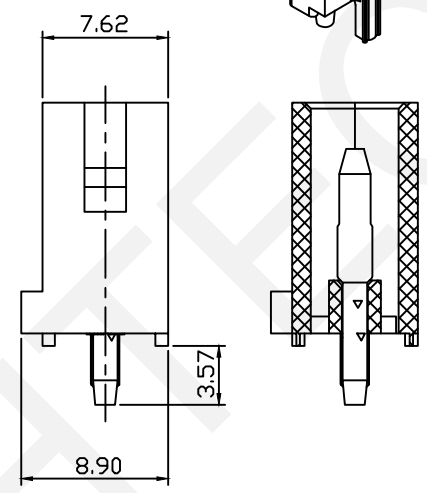
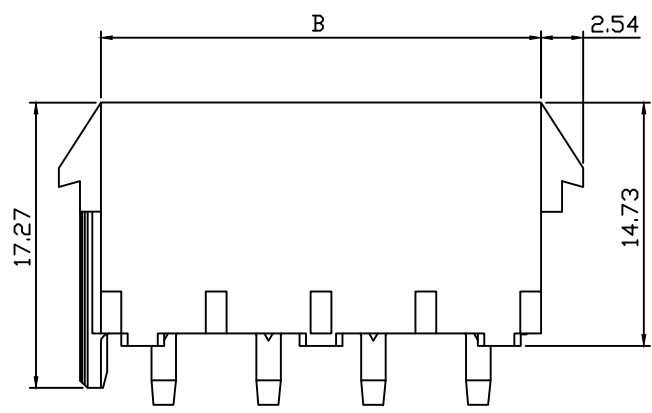


NINGBO RHT ELECTRONIC CO.,LTD

RoHS Compliance



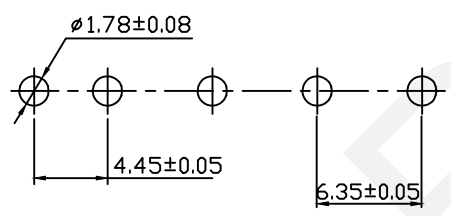
Material:  
 Housing: PA66,UL94V-0/UL94V-2  
 Contact:Brass  
 Plating: Tin plated  
 Electrical Characteristics:  
 Rated Current: 15.0AMP  
 Voltage Rating: 600V AC,DC  
 Temperature Range: -25°C~+85°C  
 Insulator Resistance: 1000MΩ/Min.  
 Withstand Voltage: 5000V AC/DC  
 Contact Resistance: 3.5MΩ/Max



Order Information:  
 RHTAYL1-6.35-1xXX-SW

Pitch:6.35mm  
 Row1-Single Layer  
 2-Double Layer  
 3-Three Layer  
 XX-No.of 02~08 Pins  
 Type:

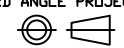
FH-Female Hosing MH-Male Hosing  
 FT-Female Terminal MT-Male Terminal  
 S/SW-Straight Male Pin  
 R-Right Angle Male Pin



PCB Layout

Pin	Dimensions(mm)	
	A	B
02	6.35	13.97
03	12.70	20.32
04	19.05	26.67
05	25.40	33.02
06	31.75	39.37
08	44.45	52.07

UNITS:mm	SHEET SIZE: A4	SCALE:---	DRWN BY PAN
0~3	3~18	18~50	50~120
±0.12	±0.15	±0.3	±0.5
CHK'D BY FENG		APPR BY ZHAN	

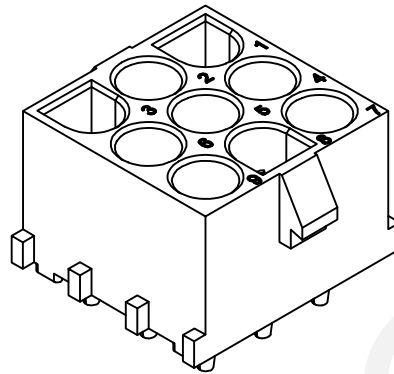
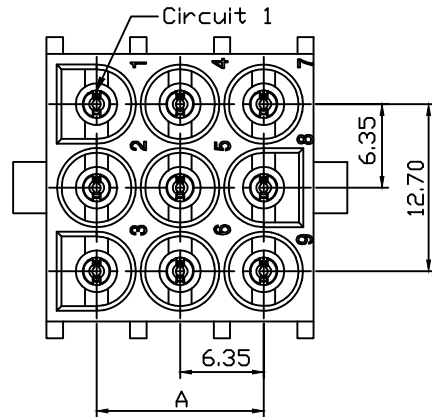
6.35mm Pitch 42021 42022 43255  
 Wire To Board Connector  
 THIRD ANGLE PROJECTION  
  
 RHTAYL1-6.35-1xXX-SW



NINGBO RHT ELECTRONIC CO.,LTD



RoHS Compliance



Material:

Housing: PA66,UL94V-0/UL94V-2

Contact:Brass

Plating: Tin plated

Electrical Characteristics:

Rated Current: 15.0AMP

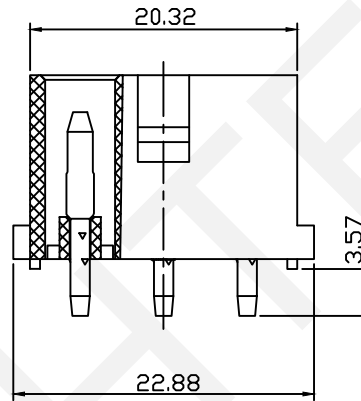
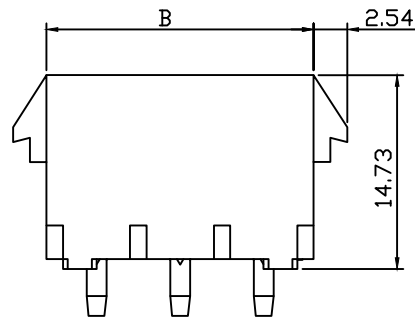
Voltage Rating: 600V AC,DC

Temperature Range: -25°C~+85°C

Insulator Resistance: 1000MΩ/Min.

Withstand Voltage: 5000V AC/DC

Contact Resistance: 3.5MΩ/Max



Order Information:

RHTAYL1-6.35-3×XX-S

Pitch:6.35mm

Row:1-Single Layer

2-Double Layer

3-Three Layer

XX-No.of 02~05 Pins

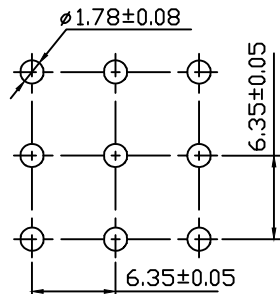
Type:

FH-Female Hosing MH-Male Hosing

FT-Female Terminal MT-Male Terminal

S/SW-Straight Male Pin

R-Right Angle Male Pin



PCB Layout

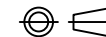
Pin	Dimensions(mm)	
	A	B
02	6.35	13.97
03	12.70	20.32
04	19.05	26.67
05	25.40	33.02

**RHTECP** NINGBO RHT ELECTRONIC CO.,LTD

UNITS:mm	SHEET SIZE: A4	SCALE:---	DRWN BY PAN
0~3	3~18	18~50	50~120
±0.12	±0.15	±0.3	±0.5
CHK'D BY FENG		APPR BY ZHAN	

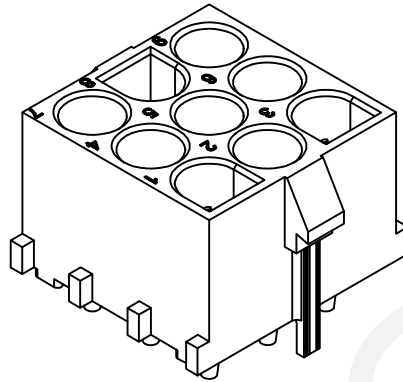
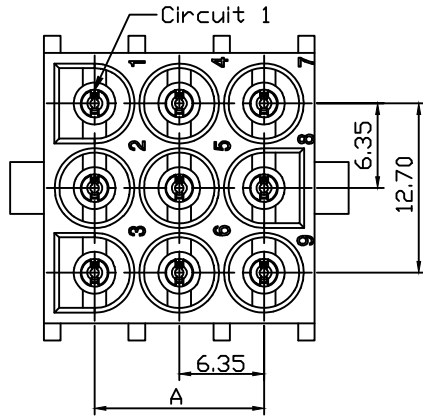
6.35mm Pitch 42021 42022 43255  
Wire To Board Connector

THIRD ANGLE PROJECTION

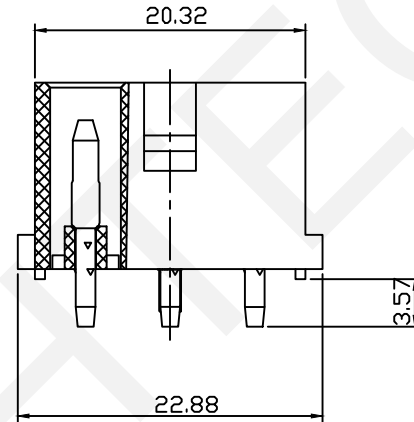
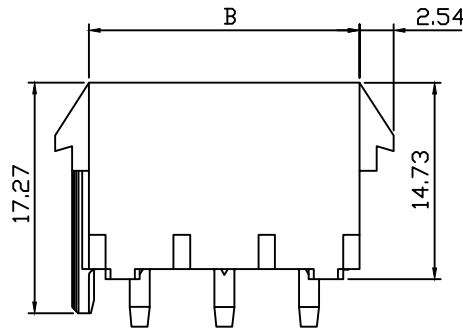


RHTAYL1-6.35-3×XX-S

RoHS Compliance



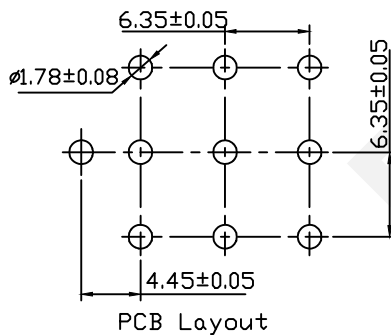
Material:  
 Housing: PA66,UL94V-0/UL94V-2  
 Contact:Brass  
 Plating: Tin plated  
 Electrical Characteristics:  
 Rated Current: 15.0AMP  
 Voltage Rating: 600V AC,DC  
 Temperature Range: -25°C~+85°C  
 Insulator Resistance: 1000MΩ/Min.  
 Withstand Voltage: 5000V AC/DC  
 Contact Resistance: 3.5MΩ/Max



Order Information:  
 RHTAYL1-6.35-3XX-SW

Pitch:6.35mm  
 Row:1-Single Layer  
 2-Double Layer  
 3-Three Layer  
 XX-No.of 02~05 Pins  
 Type:

FH-Female Hosing MH-Male Hosing  
 FT-Female Terminal MT-Male Terminal  
 S/SW-Straight Male Pin  
 R-Right Angle Male Pin



Pin	Dimensions(mm)	
	A	B
02	6.35	13.97
03	12.70	20.32
04	19.05	26.67
05	25.40	33.02

**RHTECP** NINGBO RHT ELECTRONIC CO.,LTD

UNITS:mm	SHEET SIZE: A4	SCALE:---	DRWN BY PAN
0~3	3~18	18~50	50~120
±0.12	±0.15	±0.3	±0.5

CHK'D BY FENG  
 APPR BY ZHAN

6.35mm Pitch 42021 42022 43255  
 Wire To Board Connector  
 THIRD ANGLE PROJECTION  
 RHTAYL1-6.35-3xXX-SW