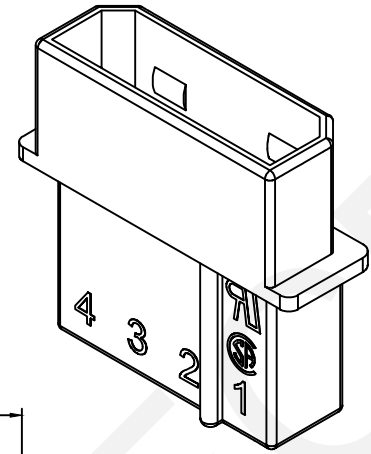
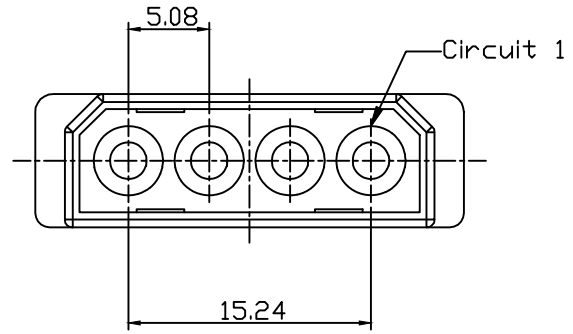
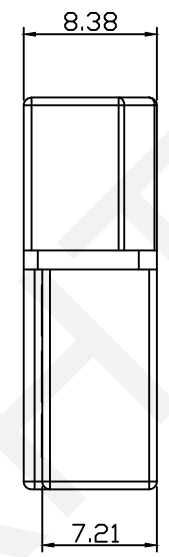
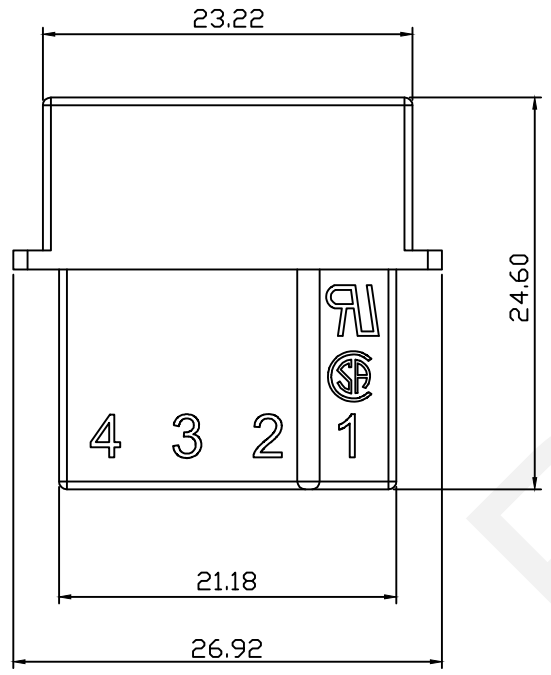


RoHS Compliance

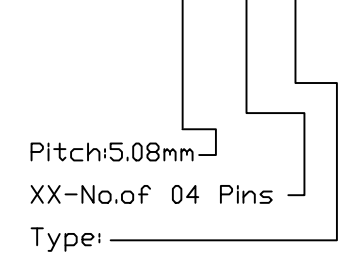


Material:
 Housing: PA66,UL94V-2

Electrical Characteristics:
 Rated Current : 10.0AMP
 Voltage Rating : 250V AC,DC
 Temperature Range: -25°C~+85°C
 Insulator Resistance: 1000MΩ Min.
 Withstand Voltage: 1500V AC/DC
 Contact Resistance: 10MΩ/Max



Order Information:
 RHTAYL1-5.08-04-FH



Pitch:5.08mm
 XX-No.of 04 Pins
 Type: _____

H1-Hosing R1-Right Angle Male Pin
 FH-Female Hosing MH-Male Hosing
 FT-Female Terminal MT-Male Terminal
 S-Straight Male Pin R-Right Angle Male Pin

RHTECP NINGBO RHT ELECTRONIC CO.,LTD

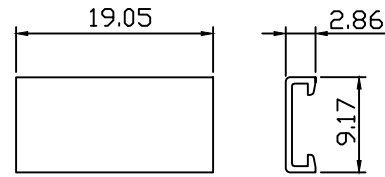
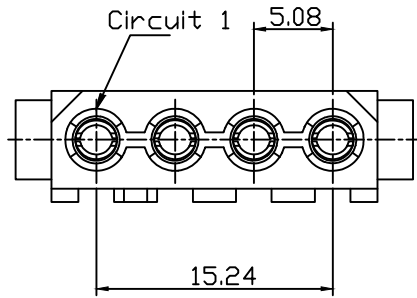
| | | | | | |
|----------|----------------|-------|--------|---------------|-------------|
| UNITS:mm | SHEET SIZE: A4 | | | SCALE:--- | DRWN BY PAN |
| 0~3 | 3~18 | 18~50 | 50~120 | CHK'D BY FENG | |
| ±0.12 | ±0.15 | ±0.3 | ±0.5 | APPR BY ZHAN | |

5.08mm 8981 Type Wire To Board Connector

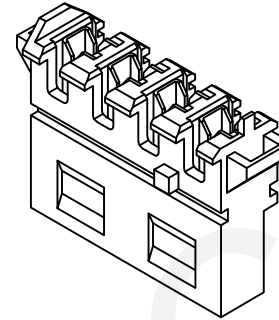
THIRD ANGLE PROJECTION

RHTAYL1-5.08-04-FH

RoHS Compliance



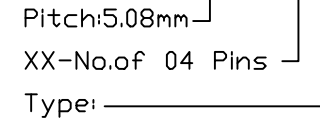
Through Type



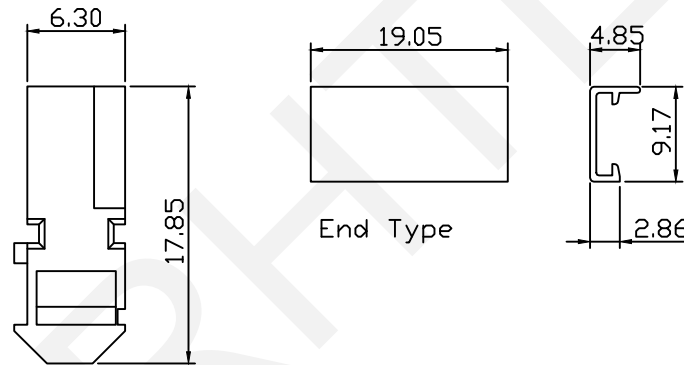
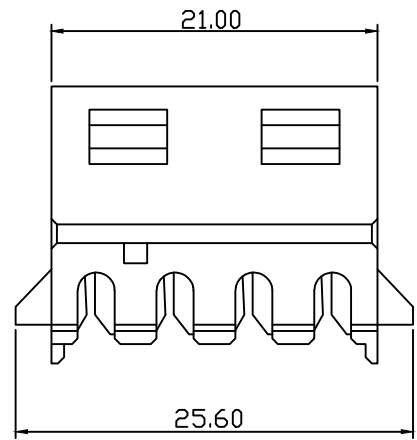
Material:
Housing: PA66,UL94V-2

Electrical Characteristics:
Rated Current : 10.0AMP
Voltage Rating : 250V AC,DC
Temperature Range: -25°C~+85°C
Insulator Resistance: 1000MΩ Min.
Withstand Voltage: 1500V AC/DC
Contact Resistance: 10MΩ/Max

Order Information:
RHTAYL1-5.08-04-H1



Type: _____
H1-Hosing R1-Right Angle Male Pin
FH-Female Hosing MH-Male Hosing
FT-Female Terminal MT-Male Terminal
S-Straight Male Pin R-Right Angle Male Pin



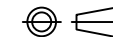
End Type

NINGBO RHT ELECTRONIC CO.,LTD

| | | | | | |
|----------|----------------|-------|--------|---------------|-------------|
| UNITS:mm | SHEET SIZE: A4 | | | SCALE:--- | DRWN BY PAN |
| 0~3 | 3~18 | 18~50 | 50~120 | CHK'D BY FENG | |
| ±0.12 | ±0.15 | ±0.3 | ±0.5 | APPR BY ZHAN | |

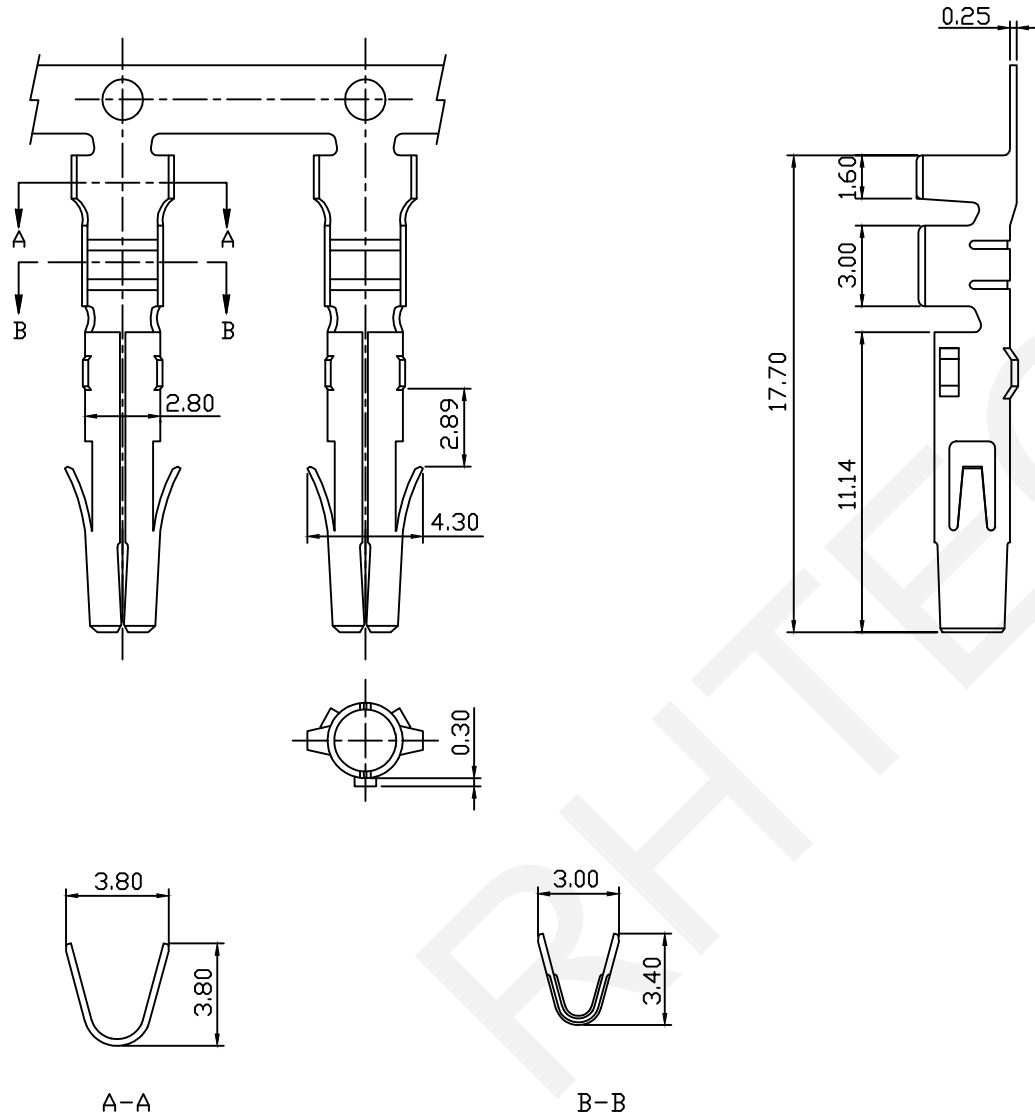
5.08mm 8981 Type Wire To Board Connector

THIRD ANGLE PROJECTION



RHTAYL1-5.08-04-H1

RoHS Compliance



Material:
 Terminal: Brass
 Plating: Tin-Plated
 Applicable Wires: AWG #14~#20
 Insulation O.D: 3.30mm Max
 Qty/Reel: 7000 Pcs

Electrical Characteristics:
 Rated Current : 10.0AMP
 Voltage Rating : 250V AC,DC
 Temperature Range: -25°C~+85°C
 Insulator Resistance: 1000MΩ Min.
 Withstand Voltage: 1500V AC/DC
 Contact Resistance: 10MΩ/Max

Order Information:

RHTAYL1-5.08-FT

Pitch: 5.08mm

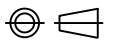
Type:

H1-Hosing R1-Right Angle Male Pin
 FH-Female Hosing MH-Male Hosing
 FT-Female Terminal MT-Male Terminal
 S-Straight Male Pin R-Right Angle Male Pin

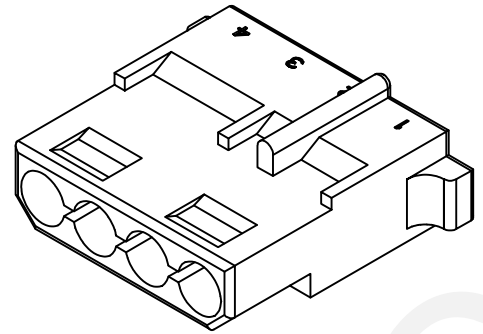
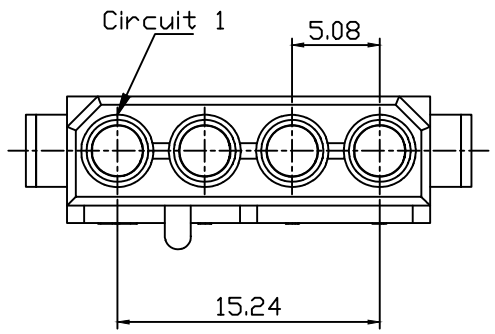
RHTECP NINGBO RHT ELECTRONIC CO.,LTD

| | | | |
|----------|----------------|-----------|-------------|
| UNITS:mm | SHEET SIZE: A4 | SCALE:--- | DRWN BY PAN |
| 0~3 | 3~18 | 18~50 | 50~120 |
| ±0.12 | ±0.15 | ±0.3 | ±0.5 |

CHK'D BY FENG
 APPR BY ZHAN

5.08mm 8981 Type Wire To Board Connector
 THIRD ANGLE PROJECTION

 RHTAYL1-5.08-FT

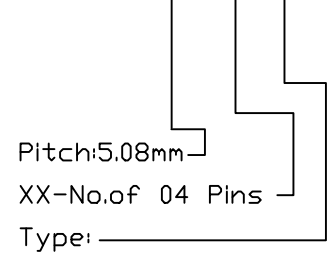
RoHS Compliance



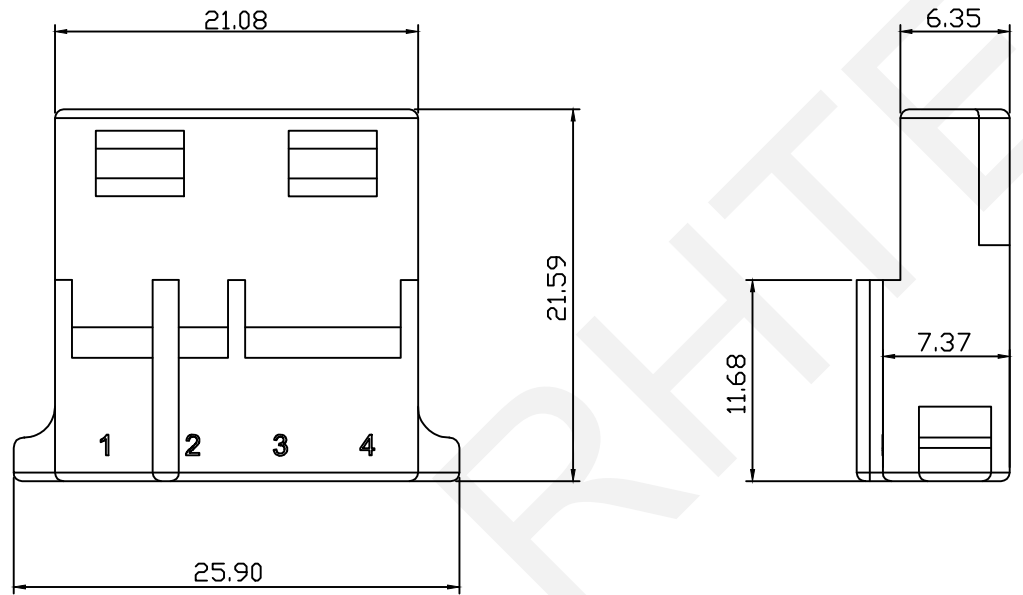
Material:
Housing: PA66,UL94V-2

Electrical Characteristics:
Rated Current : 10.0AMP
Voltage Rating : 250V AC,DC
Temperature Range: -25°C~+85°C
Insulator Resistance: 1000MΩ Min.
Withstand Voltage: 1500V AC/DC
Contact Resistance: 10MΩ/Max

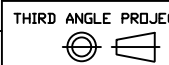
Order Information:
RHTAYL1-5.08-04-MH



Pitch:5.08mm
XX-No.of 04 Pins
Type:
H1-Hosing R1-Right Angle Male Pin
FH-Female Hosing MH-Male Hosing
FT-Female Terminal MT-Male Terminal
S-Straight Male Pin R-Right Angle Male Pin



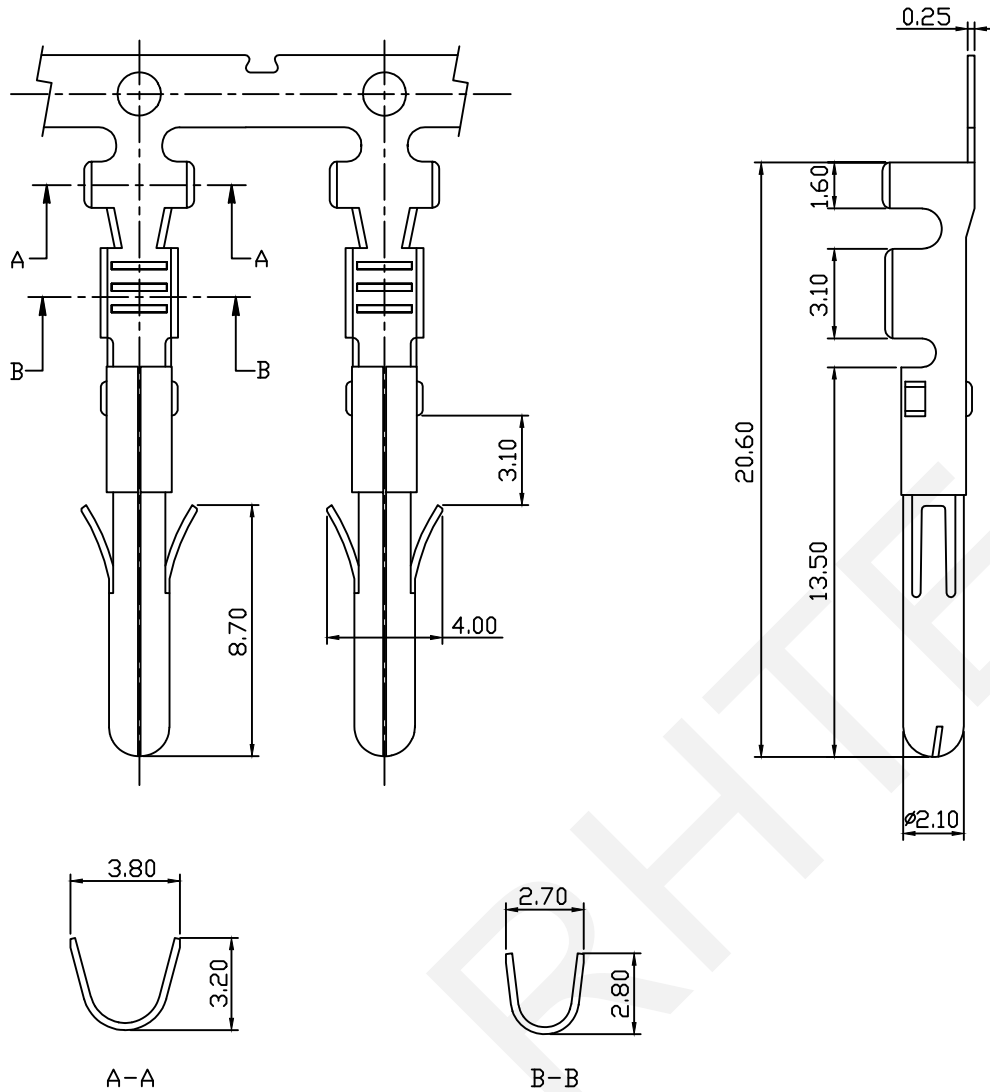
| | | | | | | |
|----------|----------------|-------|--------|---------------|--|-------------|
| UNITS:mm | SHEET SIZE: A4 | | | | SCALE:--- | DRWN BY PAN |
| 0~3 | 3~18 | 18~50 | 50~120 | CHK'D BY FENG | 5.08mm 8981 Type Wire To Board Connector | |
| ±0.12 | ±0.15 | ±0.3 | ±0.5 | APPR BY ZHAN | THIRD ANGLE PROJECTION | |



RHTAYL1-5.08-04-MH

RHTECP NINGBO RHT ELECTRONIC CO.,LTD

RoHS Compliance



Material:
 Terminal: Brass
 Plating: Tin-Plated
 Applicable Wires: AWG #18~#24
 Insulation O.D.: 2.50mm Max
 Qty/Reel: 7000 Pcs

Electrical Characteristics:
 Rated Current : 10.0AMP
 Voltage Rating : 250V AC,DC
 Temperature Range: -25°C~+85°C
 Insulator Resistance: 1000MΩ Min.
 Withstand Voltage: 1500V AC/DC
 Contact Resistance: 10MΩ/Max

Order Information:

RHTAYL1-5.08-MT

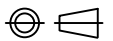
Pitch: 5.08mm

Type:

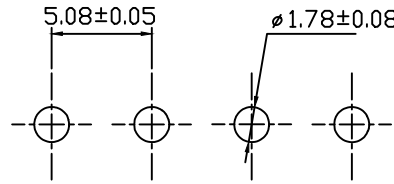
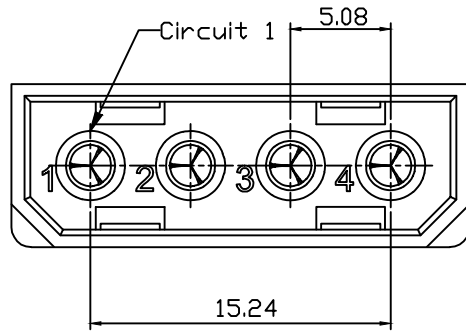
- H1-Hosing R1-Right Angle Male Pin
- FH-Female Hosing MH-Male Hosing
- FT-Female Terminal MT-Male Terminal
- S-Straight Male Pin R-Right Angle Male Pin

RHTECP NINGBO RHT ELECTRONIC CO.,LTD

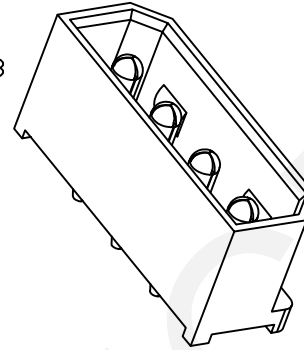
| | | | | |
|----------|----------------|-------|-----------|---------------|
| UNITS:mm | SHEET SIZE: A4 | | SCALE:--- | DRWN BY PAN |
| 0~3 | 3~18 | 18~50 | 50~120 | CHK'D BY FENG |
| ±0.12 | ±0.15 | ±0.3 | ±0.5 | APPR BY ZHAN |

5.08mm 8981 Type Wire To Board Connector
 THIRD ANGLE PROJECTION

 RHTAYL1-5.08-MT

RoHS Compliance

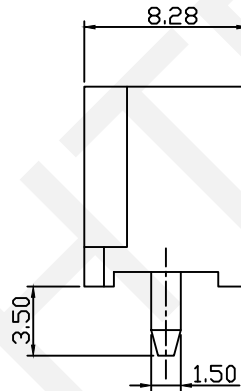
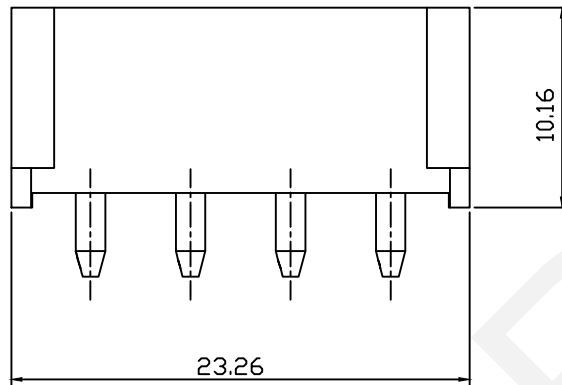


PCB LAYOUT



Material:
 Housing: PA66,UL94V-2
 Contact:Brass
 Plating: Tin Plated

Electrical Characteristics:
 Rated Current : 10.0AMP
 Voltage Rating : 250V AC,DC
 Temperature Range: -25°C~+85°C
 Insulator Resistance: 1000MΩ Min.
 Withstand Voltage: 1500V AC/DC
 Contact Resistance: 10MΩ/Max



Order Information:
 RHTAYL1-5.08-04-S

Pitch:5.08mm

XX-No.of 04 Pins

Type:

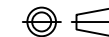
H1-Hosing R1-Right Angle Male Pin
 FH-Female Hosing MH-Male Hosing
 FT-Female Terminal MT-Male Terminal
 S-Straight Male Pin R-Right Angle Male Pin

RHTECP NINGBO RHT ELECTRONIC CO.,LTD

| | | | | | |
|----------|----------------|-------|--------|---------------|-------------|
| UNITS:mm | SHEET SIZE: A4 | | | SCALE:--- | DRWN BY PAN |
| 0~3 | 3~18 | 18~50 | 50~120 | CHK'D BY FENG | |
| ±0.12 | ±0.15 | ±0.3 | ±0.5 | APPR BY ZHAN | |

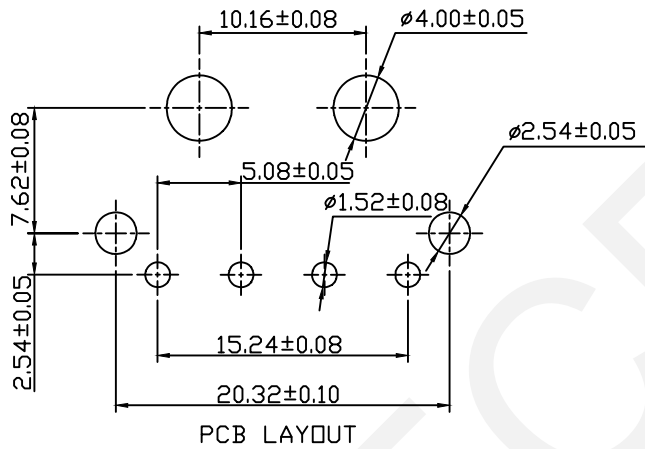
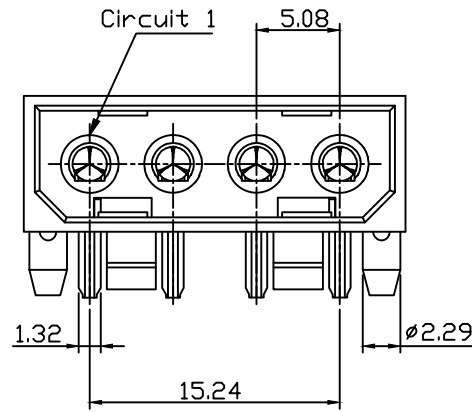
5.08mm 8981 Type Wire To Board Connector

THIRD ANGLE PROJECTION



RHTAYL1-5.08-04-S

RoHS Compliance



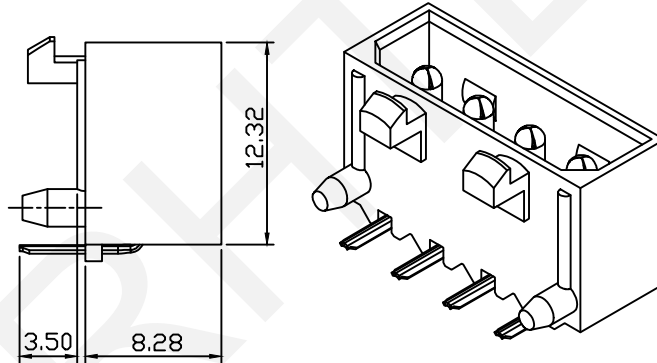
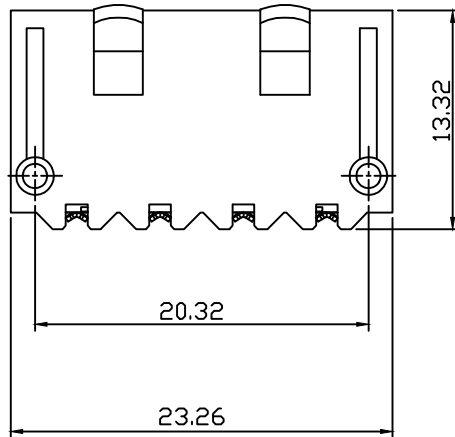
Material:
 Housing: PA66,UL94V-2
 Contact:Brass
 Plating: Tin Plated

Electrical Characteristics:
 Rated Current : 10.0AMP
 Voltage Rating : 250V AC,DC
 Temperature Range: -25°C~+85°C
 Insulator Resistance: 1000MΩ Min.
 Withstand Voltage: 1500V AC/DC
 Contact Resistance: 10MΩ/Max

Order Information:
 RHTAYL1-5.08-04-R

Pitch:5.08mm
 XX-No.of 04 Pins
 Type:

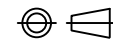
H1-Hosing R1-Right Angle Male Pin
 FH-Female Hosing MH-Male Hosing
 FT-Female Terminal MT-Male Terminal
 S-Straight Male Pin R-Right Angle Male Pin



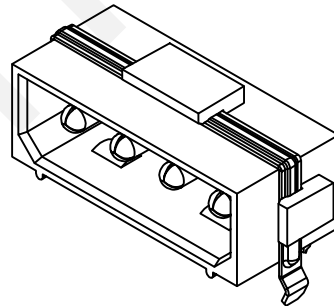
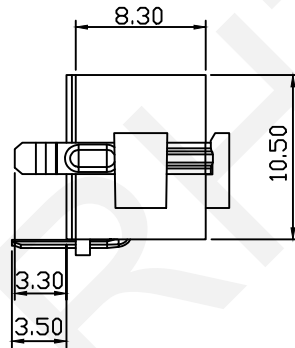
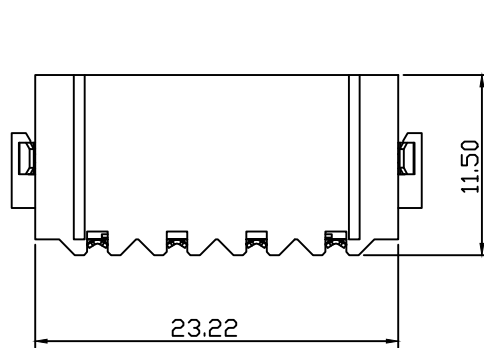
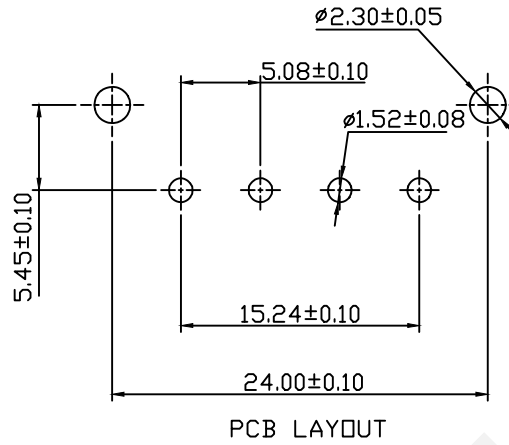
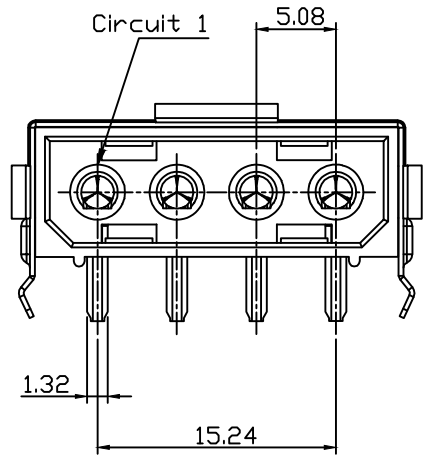
RHTECP NINGBO RHT ELECTRONIC CO.,LTD

| | | | | | |
|----------|----------------|-------|--------|---------------|-------------|
| UNITS:mm | SHEET SIZE: A4 | | | SCALE:--- | DRWN BY PAN |
| 0~3 | 3~18 | 18~50 | 50~120 | CHK'D BY FENG | |
| ±0.12 | ±0.15 | ±0.3 | ±0.5 | APPR BY ZHAN | |

| | |
|--|-------------------|
| 5.08mm 8981 Type Wire To Board Connector | |
| THIRD ANGLE PROJECTION | RHTAYL1-5.08-04-R |



RoHS Compliance



Material:
Housing: PA66,UL94V-2
Contact:Brass
Plating: Tin Plated

Electrical Characteristics:
Rated Current : 10.0AMP
Voltage Rating : 250V AC,DC
Temperature Range: -25°C~+85°C
Insulator Resistance: 1000M Ω Min.
Withstand Voltage: 1500V AC/DC
Contact Resistance: 10M Ω /Max

Order Information:
RHTAYL1-5.08-04-R1

Pitch:5.08mm

XX-No.of 04 Pins

Type:

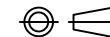
H1-Hosing R1-Right Angle Male Pin
FH-Female Hosing MH-Male Hosing
FT-Female Terminal MT-Male Terminal
S-Straight Male Pin R-Right Angle Male Pin

 NINGBO RHT ELECTRONIC CO.,LTD

| | | | | | |
|----------|----------------|-------|--------|---------------|-------------|
| UNITS:mm | SHEET SIZE: A4 | | | SCALE:--- | DRWN BY PAN |
| 0~3 | 3~18 | 18~50 | 50~120 | CHK'D BY FENG | |
| ±0.12 | ±0.15 | ±0.3 | ±0.5 | APPR BY ZHAN | |

5.08mm 8981 Type Wire To Board Connector

THIRD ANGLE PROJECTION



RHTAYL1-5.08-04-R1