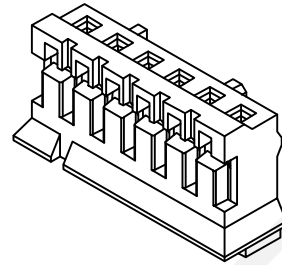
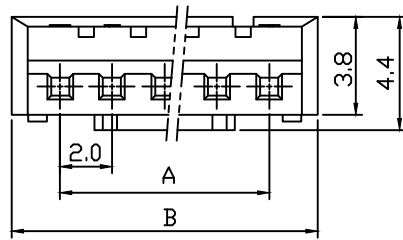
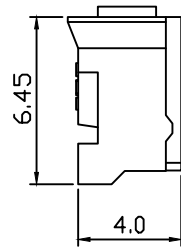
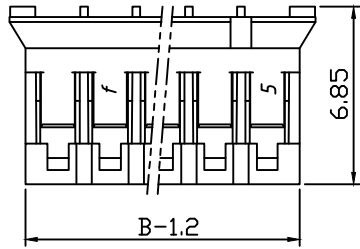


RoHS Compliance



Circuit	Dimension(mm)	
	A	B
02	2.00	5.75
03	4.00	7.75
04	6.00	9.75
05	8.00	11.75
06	10.00	13.75
07	12.00	15.75
08	14.00	17.75
09	16.00	19.75
10	18.00	21.75
11	20.00	23.75
12	22.00	25.75
13	24.00	27.75
14	26.00	29.75
15	28.00	31.75
16	30.00	33.75

Material:

Housing:PA66(UL94V-0),White

Electrical Characteristics:

- 1.Poles: 2 to 20P
- 2.Current Rating: 2.0A
- 3.Voltage Rating: 100V
- 4.Temperature Range:-25℃ To +85℃
- 5.Contact Resistance: ≤10mΩ
- 6.Insulation Resistance: ≥1000MΩ
- 7.Withstand Voltage: 800V AC/Minute
- 8.Applicable Wire: AWG #30 To #24
- 9.Applicable PC Board Thickness: 0.8~.6mm

Order Information

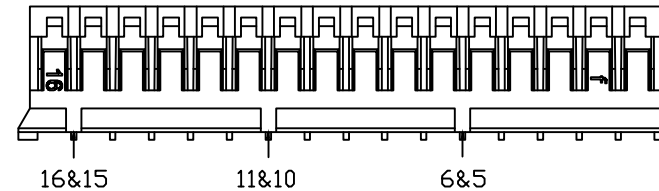
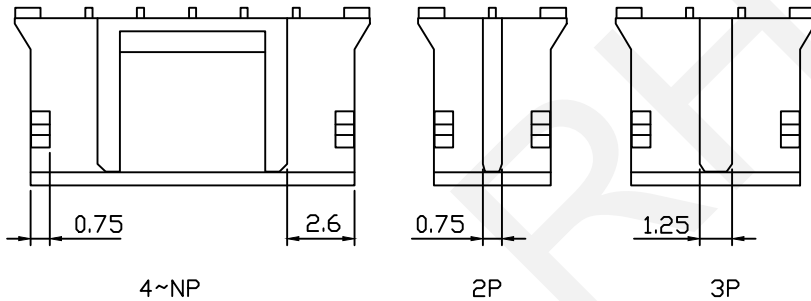
RHTAYL1-2.00-XX-H

Series No. -

Pitch:2.00=2.00mm

PIN Number: 02~25Pin

Type:H=Housing



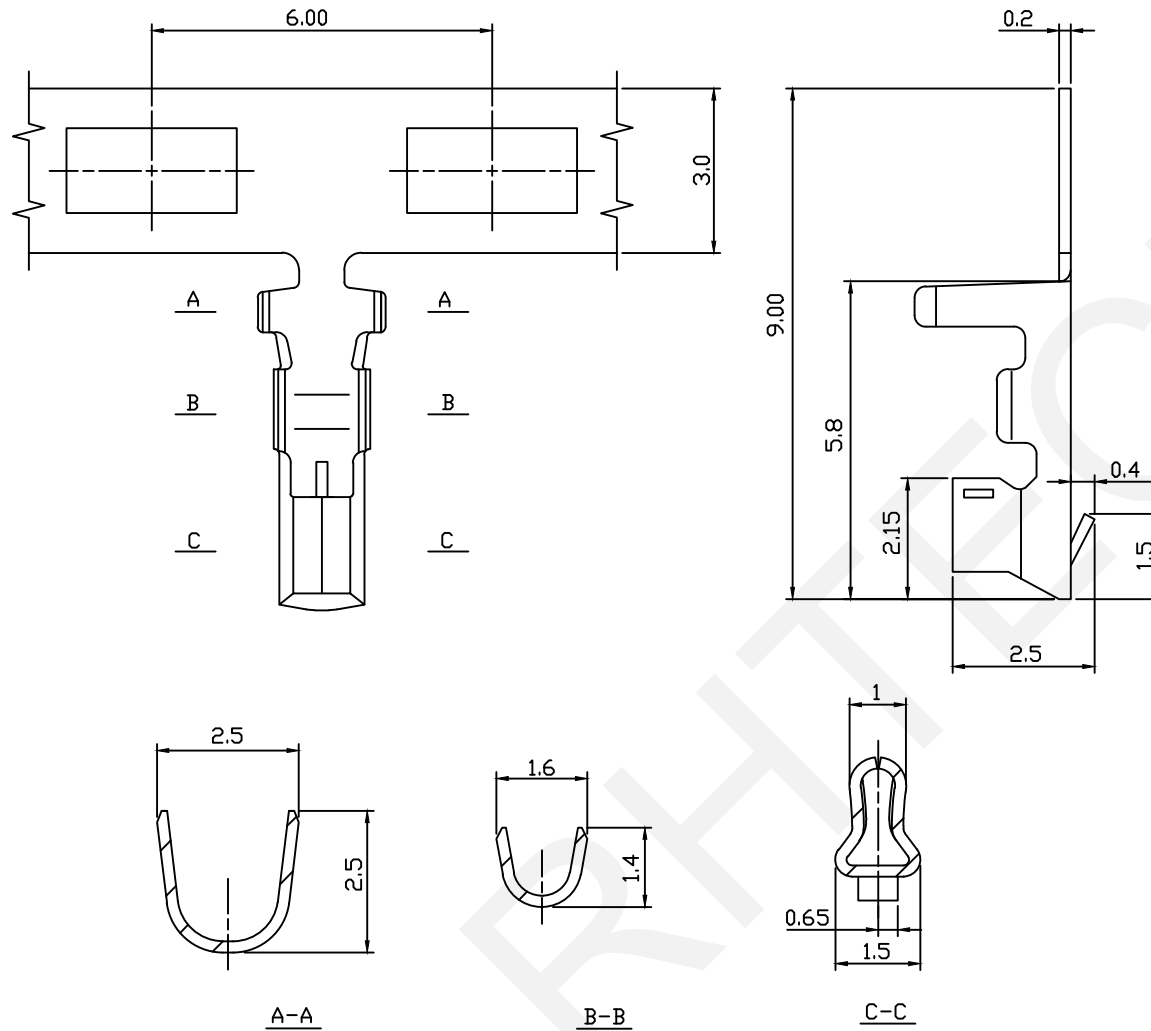
**RHTECP** NINGBO RHT ELECTRONIC CO.,LTD

UNITS:mm	SHEET SIZE: A4	SCALE:---	DRWN BY PAN
0~3	3~18	18~50	50~120
±0.12	±0.15	±0.3	±0.5

CHK'D BY FENG  
APPR BY ZHAN

2.00mm Pitch PH Type  
Wire To Board Connector  
THIRD ANGLE PROJECTION  
RHTAYL1-2.00-XX-H

RoHS Compliance



Material:

Terminal: Phos Bronze, Tin plating  
10000PCB/Roll

Electrical Characteristics:

- 1.Poles: 2 to 20P
- 2.Current Rating: 2.0A
- 3.Voltage Rating: 250V
- 4.Temperature Range:-25°C To +85°C
- 5.Contact Resistance:  $\leq 20m\Omega$
- 6.Insulation Resistance:  $\geq 500M\Omega$
- 7.Withstand Voltage: 800V AC/Minute
- 8.Applicable Wire: AWG #30 To #24
- 9.Applicable PC Board Thickness: 1.6mm

Order Information

RHTAYL1-2.00-T

Series No.

Pitch: 2.00=2.00mm

Type:T=Terminal

Range	>0~3	>3~18	>18~50	>50~120
Tolerance	$\pm 0.12$	$\pm 0.15$	$\pm 0.3$	$\pm 0.5$

**RHTECP** NINGBO RHT ELECTRONIC CO.,LTD

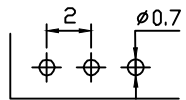
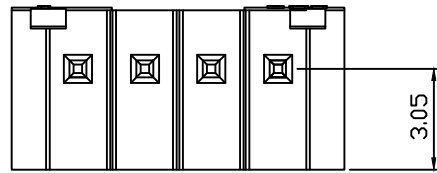
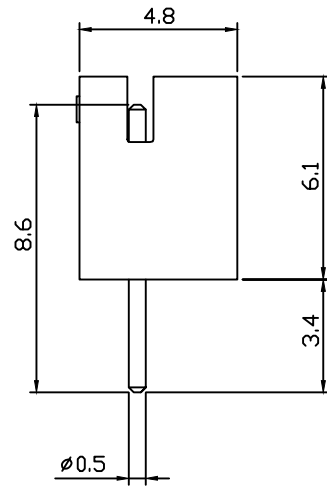
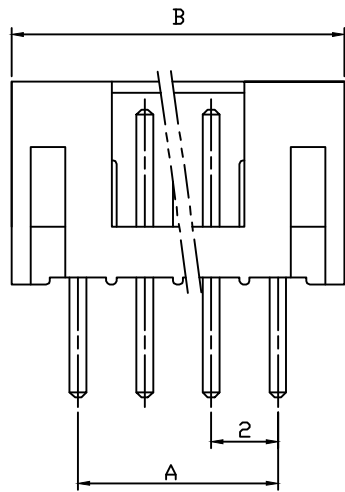
UNITS:mm	SHEET SIZE: A4				SCALE:---	DRWN BY PAN
0~3	3~18	18~50	50~120	CHK'D BY FENG	2.00mm Pitch PH Type Wire To Board Connector	
$\pm 0.12$	$\pm 0.15$	$\pm 0.3$	$\pm 0.5$	APPR BY ZHAN	THIRD ANGLE PROJECTION	RHTAYL1-2.00-T



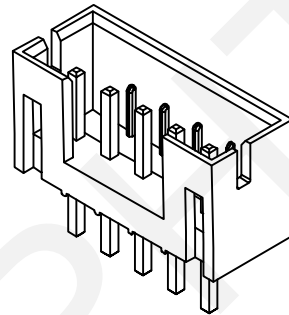
THIRD ANGLE PROJECTION

RHTAYL1-2.00-T

RoHS Compliance



PCB Layout



Circuit	Dimension(mm)	
	A	B
02	2.00	6.00
03	4.00	8.00
04	6.00	10.00
05	8.00	12.00
06	10.00	14.00
07	12.00	16.00
08	14.00	18.00
09	16.00	20.00
10	18.00	22.00
11	20.00	24.00
12	22.00	26.00
13	24.00	28.00
14	26.00	30.00
15	28.00	32.00
16	30.00	34.00
17	32.00	36.00
18	34.00	38.00
19	36.00	40.00
20	38.00	42.00

Material:

Housing:PA66(UL94V-0),White

Contact:Brass Tin

Electrical Characteristics:

- 1.Poles: 2 to 20P
- 2.Current Rating: 2.0A
- 3.Voltage Rating : 100V
- 4.Temperature Range:-25℃ To +85℃
- 5.Contact Resistance: ≤10mΩ
- 6.Insulation Resistance: ≥1000MΩ
- 7.Withstand Voltage: 800V AC/Minute
- 8.Applicable Wire: AWG #30 To #24
- 9.Applicable PC Board Thickness: 0.8~1.6mm

Order Information

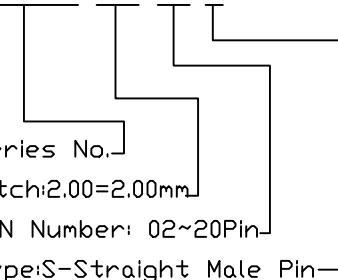
RHTAYL1-2.00-XX-S

Series No.:

Pitch:2.00=2.00mm

PIN Number: 02~20Pin

Type:S-Straight Male Pin



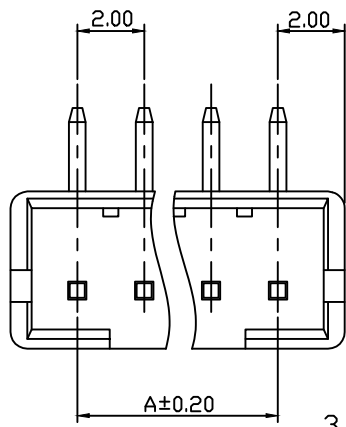
**RHTECP** NINGBO RHT ELECTRONIC CO.,LTD

UNITS:mm	SHEET SIZE: A4	SCALE:---	DRWN BY PAN
0~3	3~18	18~50	50~120
±0.12	±0.15	±0.3	±0.5

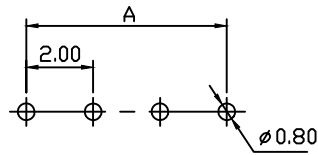
CHK'D BY FENG  
APPR BY ZHAN

2.00mm Pitch PH Type  
Wire To Board Connector  
THIRD ANGLE PROJECTION  
RHTAYL1-2.00-XX-S

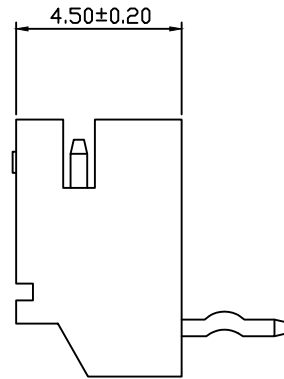
RoHS Compliance



3 Circuits Or More



PCB Layout



Circuit	Dimension(mm)	
	A	B
02	2.00	6.00
03	4.00	8.00
04	6.00	10.00
05	8.00	12.00
06	10.00	14.00
07	12.00	16.00
08	14.00	18.00
09	16.00	20.00
10	18.00	22.00
11	20.00	24.00
12	22.00	26.00
13	24.00	28.00
14	26.00	30.00
15	28.00	32.00
16	30.00	34.00

Material:

Housing: PA66, UL94V-0

Contact: Brass, Tin plated over Nickel

Electrical Characteristics:

1.Poles: 2 to 16P

2.Current Rating: 2.0A

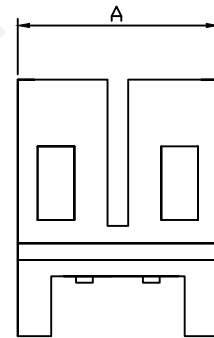
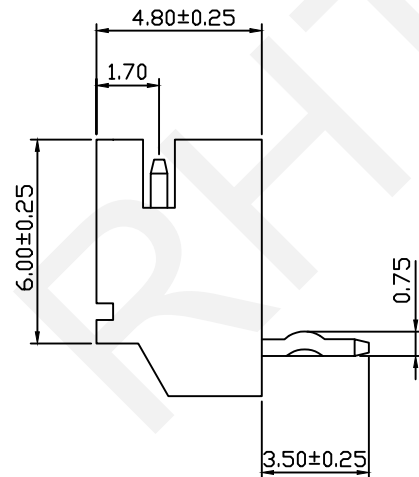
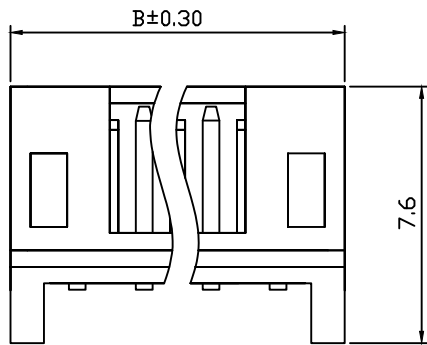
3.Voltage Rating : 100V

4.Temperature Range:-25℃ To +85℃

5.Contact Resistance: 20mΩ Max

6.Insulation Resistance: 1000MΩ Min

7.Withstand Voltage: 800V AC/Minute



2 Circuits

Order Information

RHTAYL1-2.00-XX-R

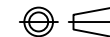
Series No.:

Pitch: 2.00=2.00mm

PIN Number: 02~16Pin

Type: Right Angle Male Pin

THIRD ANGLE PROJECTION



RHTAYL1-2.00-XX-R

**RHTECP** NINGBO RHT ELECTRONIC CO.,LTD

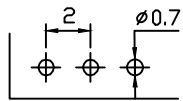
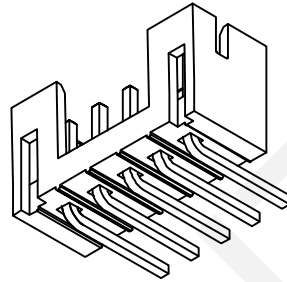
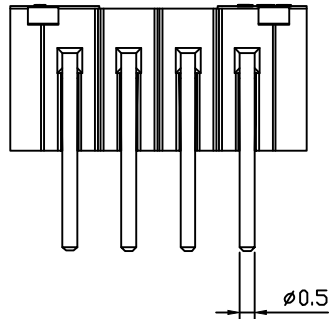
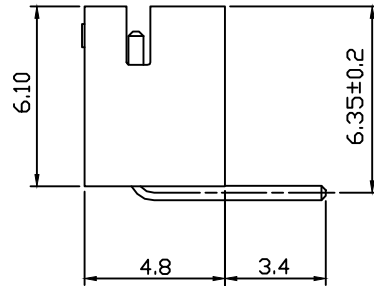
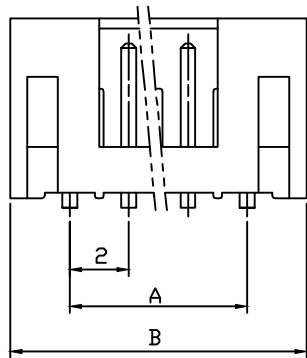
UNITS:mm SHEET SIZE: A4 SCALE: --- DRWN BY PAN

0~3 3~18 18~50 50~120 CHK'D BY FENG

±0.12 ±0.15 ±0.3 ±0.5 APPR BY ZHAN

2.00mm Pitch PH Type  
Wire To Board Connector

RoHS Compliance



PCB Layout

Circuit	Dimension(mm)	
	A	B
02	2.00	6.00
03	4.00	8.00
04	6.00	10.00
05	8.00	12.00
06	10.00	14.00
07	12.00	16.00
08	14.00	18.00
09	16.00	20.00
10	18.00	22.00
11	20.00	24.00
12	22.00	26.00
13	24.00	28.00
14	26.00	30.00
15	28.00	32.00
16	30.00	34.00
17	32.00	36.00
18	34.00	38.00
19	36.00	40.00
20	38.00	42.00

Material:

Housing: PA66(UL94V-0),White

Contact:Brass Tin

Electrical Characteristics:

- 1.Poles: 2 to 20P
- 2.Current Rating: 2.0A
- 3.Voltage Rating : 100V
- 4.Temperature Range:-25℃ To +85℃
- 5.Contact Resistance: ≤10mΩ
- 6.Insulation Resistance: ≥1000MΩ
- 7.Withstand Voltage: 800V AC/Minute
- 8.Applicable Wire: AWG #30 To #24
- 9.Applicable PC Board Thickness: 0.8~.6mm

Order Information

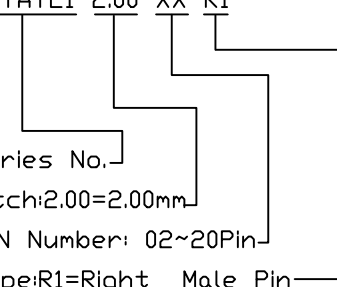
RHTAYL1-2.00-XX-R1

Series No.└

Pitch:2.00=2.00mm└

PIN Number: 02~20Pin└

Type:R1=Right Male Pin└



NINGBO RHT ELECTRONIC CO.,LTD

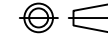
UNITS:mm	SHEET SIZE: A4	SCALE:---	DRWN BY PAN
0~3	3~18	18~50	50~120
±0.12	±0.15	±0.3	±0.5

CHK'D BY FENG

APPR BY ZHAN

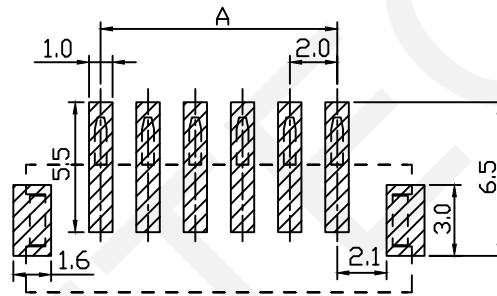
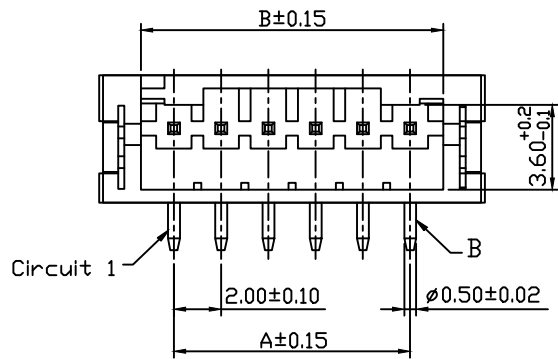
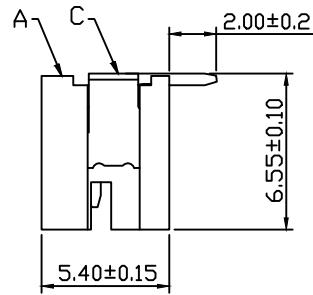
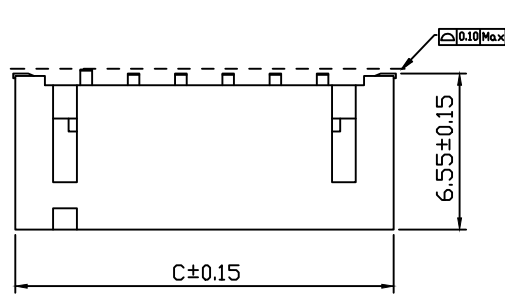
2.00mm Pitch PH Type  
Wire To Board Connector

THIRD ANGLE PROJECTION

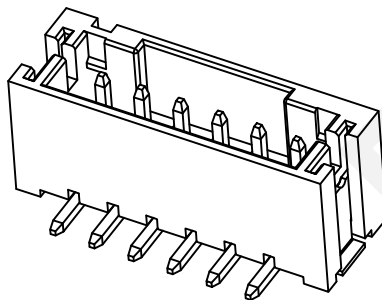


RHTAYL1-2.00-XX-R1

RoHS Compliance



Suggested PCB Layout



Material:

Housing: LCP UL94V-0, Beige

Contact: Brass Tin Plated

Solder Tab: Phosphor Bronze, Tin Plated

Electrical Specification:

Poles: 2 to 16P

Contact Resistance:  $\leq 20m\Omega$

Insulation Resistance:  $\geq 1000M\Omega$

Rated Voltage: 250V AC DC

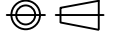
Rated Current: 2.0A AC DC

Withstand Voltage: 1000V AC/Minute

Temperature Range:  $-25^{\circ}C \sim +105^{\circ}C$

Circuit	Dimension(mm)		
	A	B	C
02	2.00	4.80	8.00
03	4.00	6.80	10.00
04	6.00	8.80	12.00
05	8.00	10.80	14.00
06	10.00	12.80	16.00
07	12.00	14.80	18.00
08	14.00	16.80	20.00
09	16.00	18.80	22.00
10	18.00	20.80	24.00
11	20.00	22.80	26.00
12	22.00	24.80	28.00
13	24.00	26.80	30.00
14	26.00	28.80	32.00
15	28.00	30.80	34.00
16	30.00	32.80	36.00

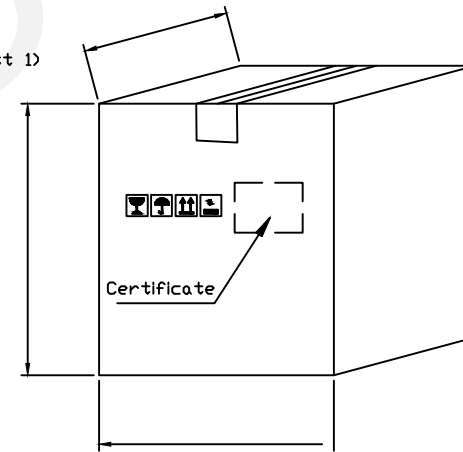
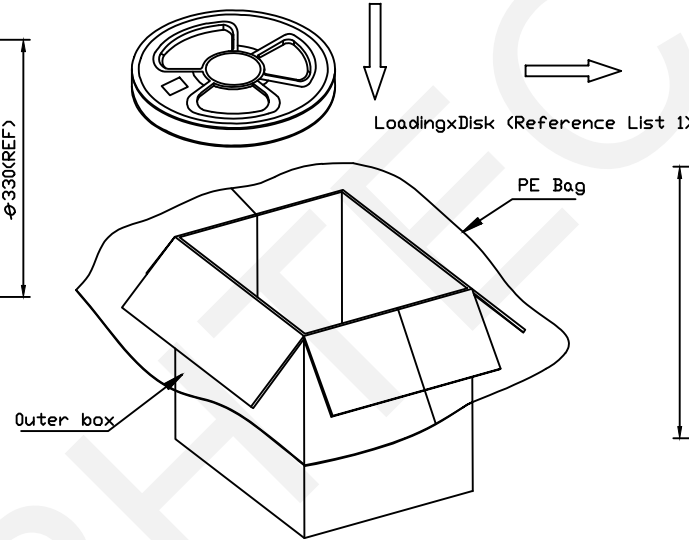
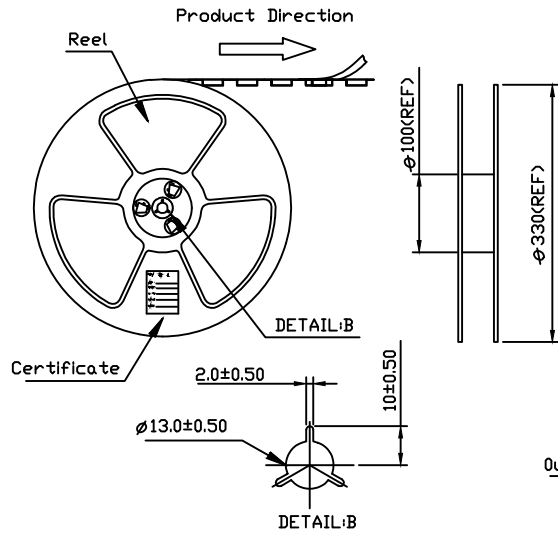
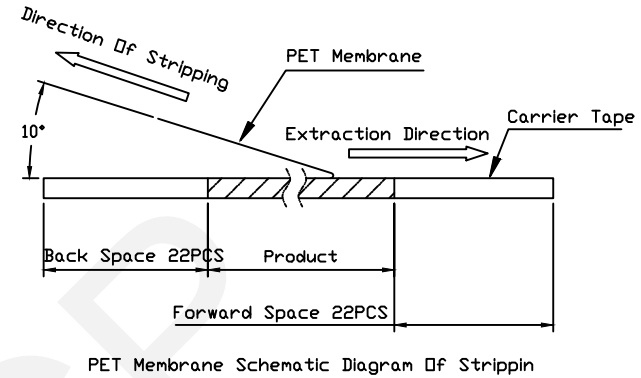
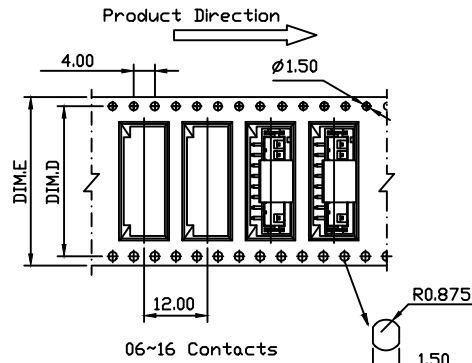
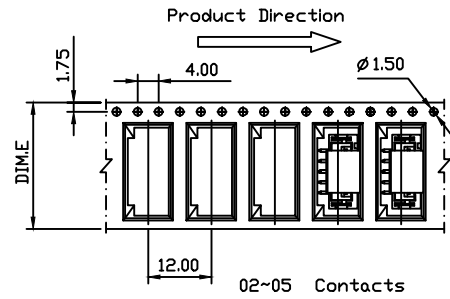
 NINGBO RHT ELECTRONIC CO.,LTD

UNITS:mm	SHEET SIZE: A4			SCALE:---	DRWN BY PAN
0~3	3~18	18~50	50~120	CHK'D BY FENG	THIRD ANGLE PROJECTION 
±0.12	±0.15	±0.3	±0.5	APPR BY ZHAN	

Pitch 2.00mm Vertical SMT Wafer

RHTAYL1-2.00-XX-VM

RoHS Compliance



Circuit	DIM.D	DIM.E	Q'ty/Reel
02 PIN	--	16	700PCS
03-05 PIN	--	24	700PCS
06-08 PIN	28.4	32	700PCS
09-14 PIN	40.4	44	700PCS
15PIN	52.4	56	700PCS

Packaging Instructions

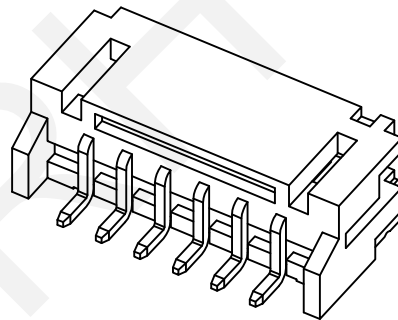
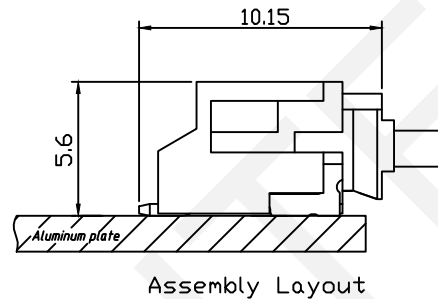
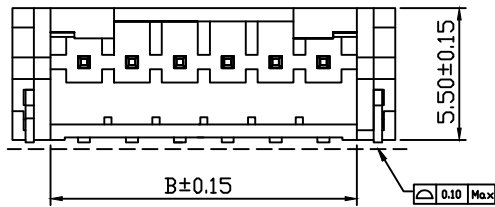
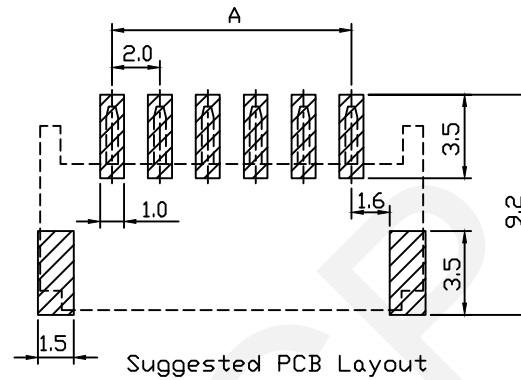
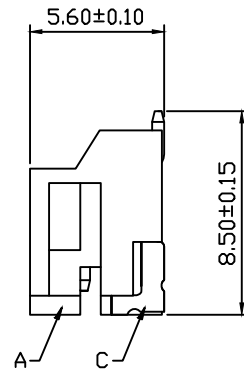
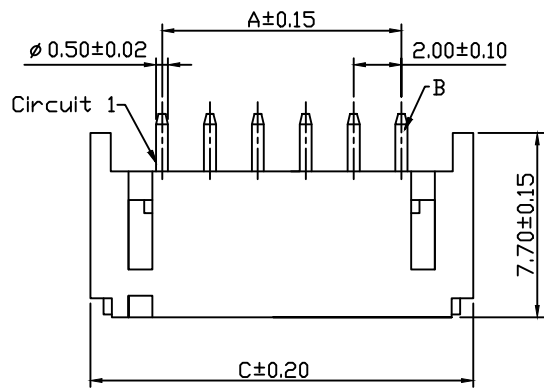
Pack The Finished Products Into Reels, Each With 700 PCS  
 The Product Will Be Packed by pasting A certificate On the Reel.  
 The Reel Is Put Into The Outer Box, and The Outer Box is Fitted  
 With one first Large PE Bags With Qualified Certificates Affixed  
 On The Outer Case

**RHTECP** NINGBO RHT ELECTRONIC CO.,LTD

UNITS:mm	SHEET SIZE: A4	SCALE:---	DRWN BY PAN
0~3	3~18	18~50	50~120
±0.12	±0.15	±0.3	±0.5
			CHK'D BY FENG
			APPR BY ZHAN

Packaging Specification  
 Ptich 2.00mm Vertical SMT  
 THIRD ANGLE PROJECTION  
  
 RHTAYL1-2.00-XX-VM

RoHS Compliance



Material:

Housing: LCP UL94V-0, Beige

Contact: Brass Tin Plated

Solder Tab: Brass, Tin Plated

Electrical Specification:

Poles: 2 to 16P

Contact Resistance:  $\leq 20 \text{ m}\Omega$

Insulation Resistance:  $\geq 1000 \text{ M}\Omega$

Rated Voltage: 250V AC DC

Rated Current: 2.0A AC DC

Withstand Voltage: 1000V AC/Minute

Temperature Range:  $-25^\circ \text{C} \sim +105^\circ \text{C}$

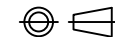
Circuit	Dimension(mm)		
	A	B	C
02	2.00	4.75	8.00
03	4.00	6.75	10.00
04	6.00	8.75	12.00
05	8.00	10.75	14.00
06	10.00	12.75	16.00
07	12.00	14.75	18.00
08	14.00	16.75	20.00
09	16.00	18.75	22.00
10	18.00	20.75	24.00
11	20.00	22.75	26.00
12	22.00	24.75	28.00
13	24.00	26.75	30.00
14	26.00	28.75	32.00
15	28.00	30.75	34.00
16	30.00	32.70	36.00

**RHTECP** NINGBO RHT ELECTRONIC CO.,LTD

UNITS:mm SHEET SIZE: A4 SCALE:---  
 DRWN BY PAN  
 0~3 3~18 18~50 50~120  
 CHK'D BY FENG  
 $\pm 0.12$   $\pm 0.15$   $\pm 0.3$   $\pm 0.5$   
 APPR BY ZHAN

Ptich 2.00mm Horizontal SMT Wafer

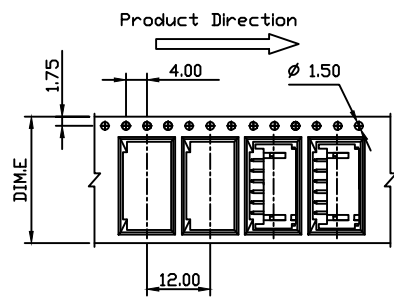
THIRD ANGLE PROJECTION



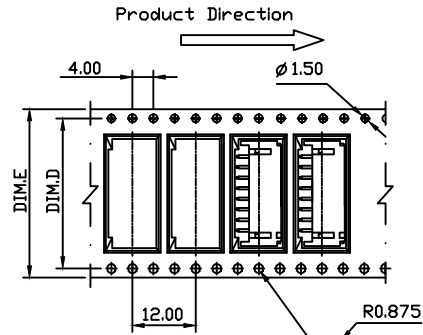
RHTAYL1-2.00-XX-RM



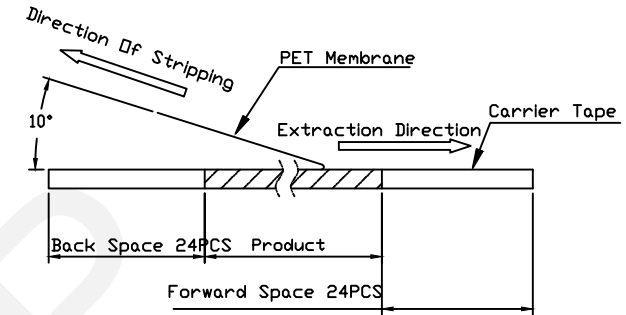
RoHS Compliance



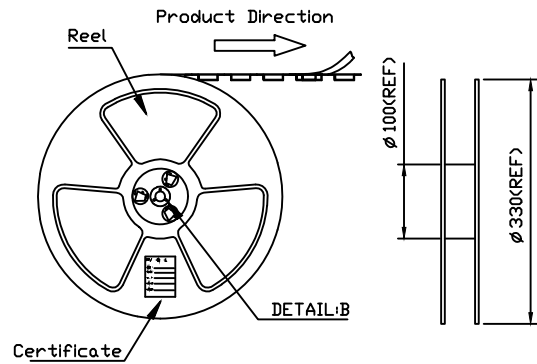
02~06 Contacts



07~16 Contacts

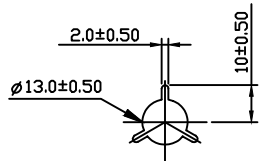


PET Membrane Schematic Diagram of Stripping

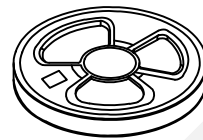


Certificate

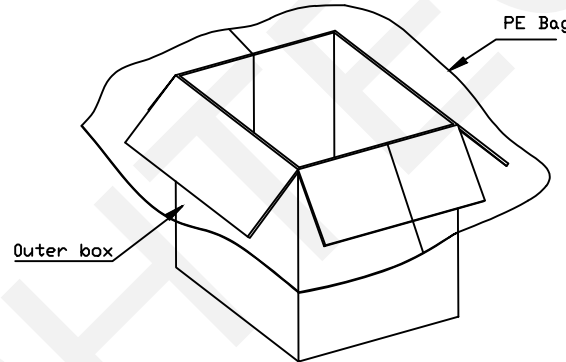
DETAIL: B



DETAIL: B

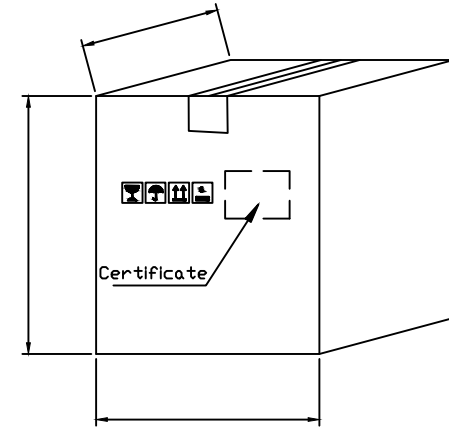


Loading Disk (Reference List 1)



PE Bag

Outer box



Certificate

Circuit	DIM.D	DIM.E	Q'ty/Reel
02-03 PIN	--	16	1000PCS
04-06 PIN	--	24	1000PCS
07-08 PIN	28.4	32	1000PCS
09-14 PIN	40.4	44	1000PCS
15-16 PIN	52.4	56	1000PCS

Packaging Instructions

Pack The Finished Products Into Reels, Each With 1000 PCS

The Product Will Be Packed by pasting A certificate On the Reel.

The Reel Is Put Into The Outer Box, and The Outer Box is Fitted

With one first Large PE Bags With Qualified Certificates Affixed

On The Outer Case

**RHTECP** NINGBO RHT ELECTRONIC CO.,LTD

UNITS:mm	SHEET SIZE: A4	SCALE:---	DRWN BY PAN
0~3	3~18	18~50	50~120
±0.12	±0.15	±0.3	±0.5
			CHK'D BY FENG
			APPR BY ZHAN

Packaging Specification  
Pitch 2.00mm Horizontal SMT

THIRD ANGLE PROJECTION

RHTAYL1-2.00-XX-RM