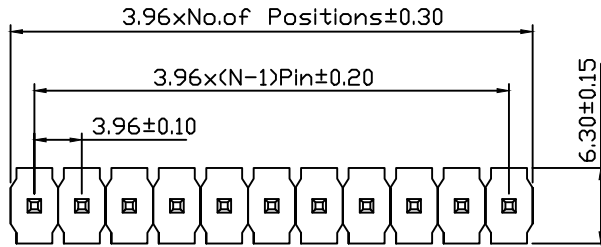
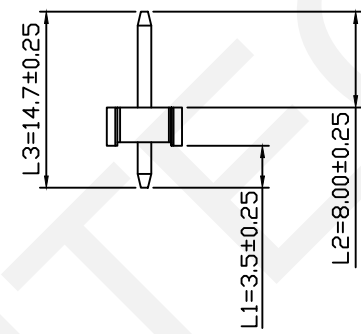
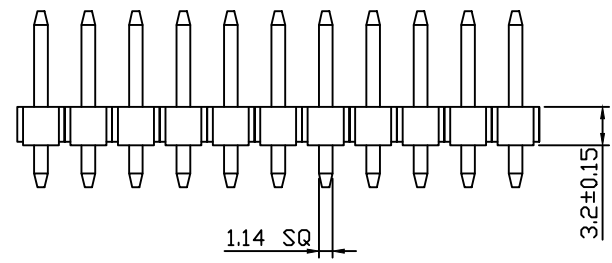
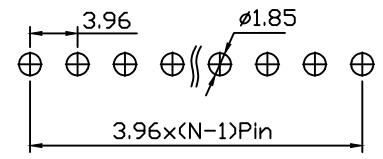


RoHS Compliance



Recommended P.C.B Layout(Top Side)
(PCB BOARD TOLERANCE±0.05)

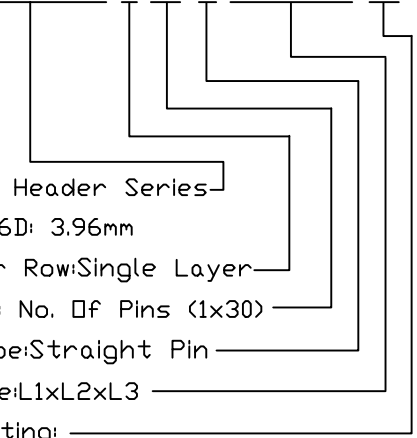


Dimension Antitheses List (mm)				
ITEM	L1	L2	L3	Plastic Height
Standard	3.5	8.00	14.7	3.2
Nonstandard	---	---	---	---

Material:
Standard: LCP
Contact: Brass
Insulator: Polyester,UL94V-0
Electrical Characteristics:
Current Rating : 5AMP
Contact Resistance: 20MΩ Max
Withstand Voltage: 500V AC
Insulator Resistance: 1000MΩ Min
Mechanical
Operating Temperature:-40°C~+105°C
Max.Processing Temp:230°C For 30-60 Seconds (260°C For 10 Seconds)

Order Information:
RHTAY3.96D-1-XX-S-L1xL2xL3-SN

Pin Header Series-
3.96D: 3.96mm
Per Row:Single Layer
Pin: No. Of Pins (1x30)
Type: Straight Pin
Size:L1xL2xL3
Plating:
G0=Gold Flash G1=1u" Gold
G10=10u" Gold G15=15u" Gold
G30=30u" Gold SN=Tin



RHTECP NINGBO RHT ELECTRONIC CO.,LTD

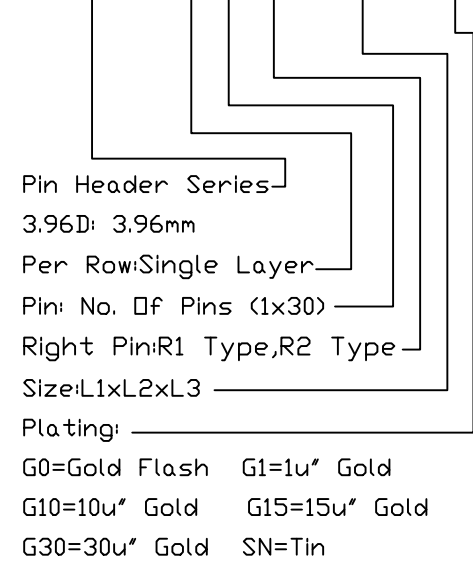
UNITS:mm	SHEET SIZE: A4	SCALE:---	DRWN BY PAN
0~3	3~18	18~50	50~120
±0.12	±0.15	±0.3	±0.5
CHK'D BY FENG		APPR BY ZHAN	

3.96x3.2mm Pin Header
Single Layer, Straight Pin, 1xN Pin
THIRD ANGLE PROJECTION
 RHTAY3.96D-1-XX-S-L1xL2xL3-SN

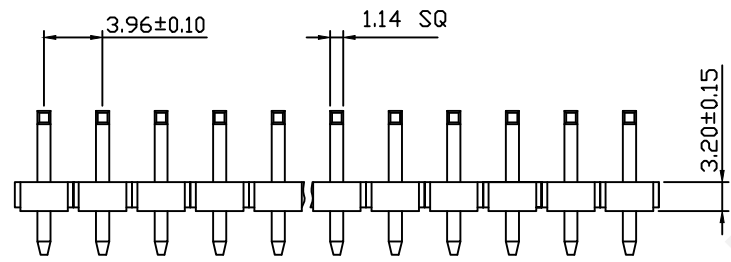
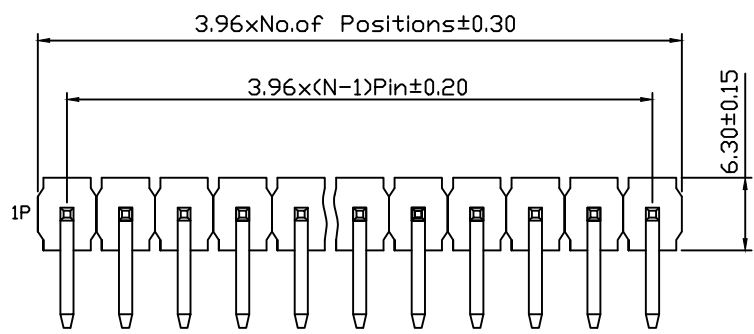
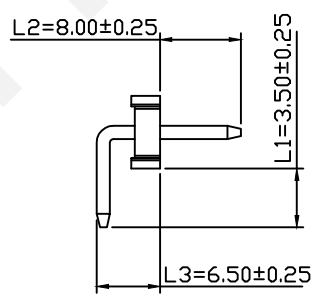
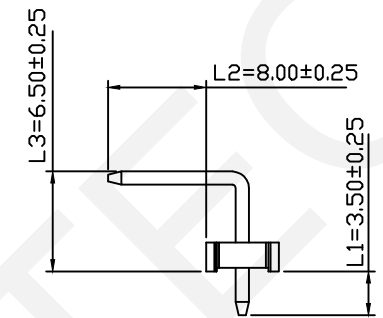
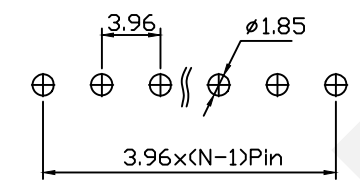
RoHS Compliance

Material:
 Standard: PA6T
 Contact: Brass
 Insulator: Polyester,UL94V-0
 Electrical Characteristics:
 Current Rating : 7AMP
 Contact Resistance: 20MΩ Max
 Withstand Voltage: 1000V AC
 Insulator Resistance: 1000MΩ Min
 Mechanical
 Operating Temperature:-40°C~+105°C
 Max.Processing Temp:230°C For 30-60
 Seconds (260°C For 10 Seconds)

Order Information:
 RHTAY3.96D-1-XX-R1-L1xL2xL3-SN



Recommended P.C.B Layout(Top Side)
 (PCB BOARD TOLERANCE±0.05)



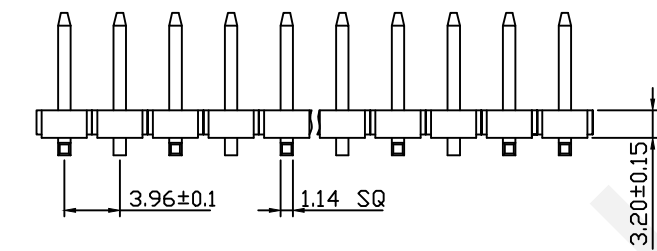
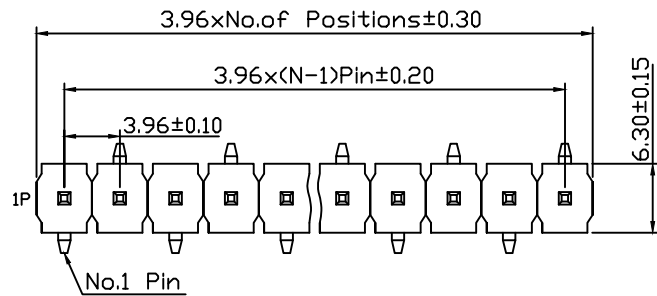
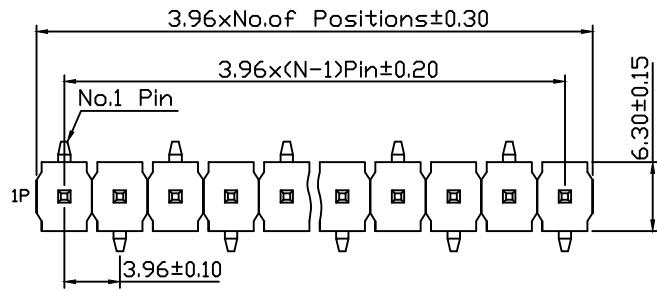
Dimension Antitheses List (mm)				
ITEM	L1	L2	L3	Plastic Height
Standard	3.50	8.00	6.50	3.20
Nonstandard	---	---	---	---

UNITS:mm	SHEET SIZE: A4	SCALE:---	DRWN BY PAN
0~3	3~18	18~50	50~120
±0.12	±0.15	±0.3	±0.5
CHK'D BY FENG		APPR BY ZHAN	

3.96x3.2mm Pin Header Single Layer,Right Angle Pin, 1xN Pin	
THIRD ANGLE PROJECTION 	RHTAY3.96D-1-XX-R1-L1xL2xL3-SN

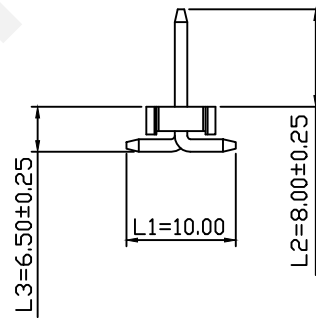
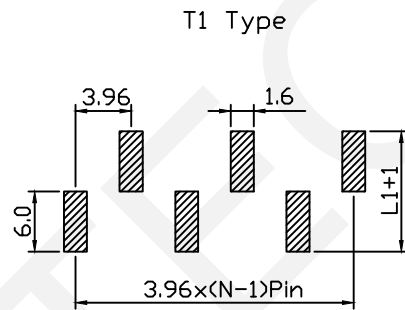
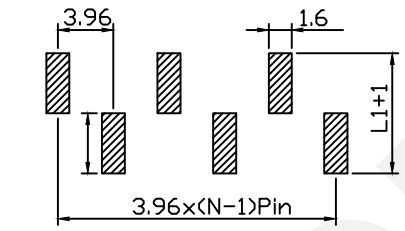
NINGBO RHT ELECTRONIC CO.,LTD

RoHS Compliance



Dimension Antitheses List (mm)				
ITEM	L1	L2	L3	Plastic Height
Standard	10.00	8.00	6.50	3.20
Nonstandard	---	---	---	---

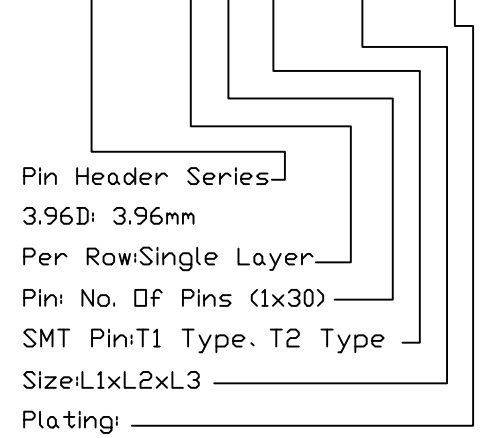
Recommended P.C.B Layout (Top Side)
(PCB BOARD TOLERANCE ± 0.05)



Material:
Standard: LCP
Contact: Brass
Insulator: Polyester, UL94V-0
Electrical Characteristics:
Current Rating: 7AMP
Contact Resistance: 20MΩ Max
Withstand Voltage: 1000V AC
Insulator Resistance: 1000MΩ Min
Mechanical
Operating Temperature: -40°C ~ +105°C
Max. Processing Temp: 230°C For 30-60 Seconds (260°C For 10 Seconds)

Order Information:

RHTAY3.96D-1-XX-T1-L1xL2xL3-SN



Pin Header Series
3.96D: 3.96mm
Per Row: Single Layer
Pin: No. of Pins (1x30)
SMT Pin: T1 Type, T2 Type
Size: L1xL2xL3
Plating:
G0=Gold Flash G1=1u" Gold
G10=10u" Gold G15=15u" Gold
G30=30u" Gold SN=Tin



NINGBO RHT ELECTRONIC CO.,LTD

UNITS:mm	SHEET SIZE: A4	SCALE:---	DRWN BY PAN
0~3	3~18	18~50	50~120
±0.12	±0.15	±0.3	±0.5
			CHK'D BY FENG
			APPR BY ZHAN

3.96x3.2mm Pin Header Single Layer, SMT, 1xN Pin	
THIRD ANGLE PROJECTION 	RHTAY3.96D-1-XX-T1-L1xL2xL3-SN