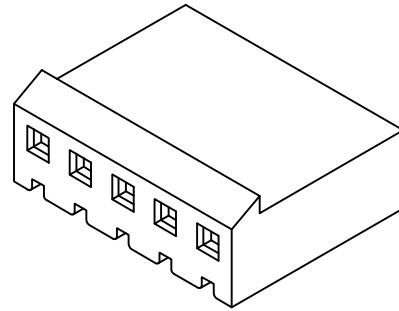
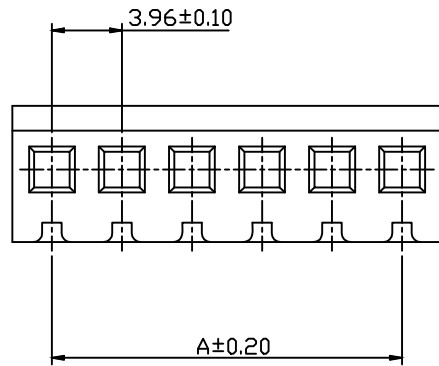


RoHS Compliance



Material:
Housing: PA66,UL94V-2

Pins	Dimension(mm)	
	A	B
02	3.96	8.43
03	7.92	12.39
04	11.88	16.35
05	15.84	20.31
06	19.80	24.27
07	23.76	28.23
08	27.72	32.19
09	31.68	36.15
10	35.64	40.11
11	39.60	44.07
12	43.56	48.03
13	47.52	51.99
14	51.48	55.95
15	55.44	59.91
16	59.40	63.87
17	63.36	67.83
18	67.32	71.79
19	71.28	75.75
20	75.24	79.71

Electrical Characteristics:
 Rated Current : 7.0AMP
 Voltage Rating : 250V AC,DC
 Temperature Range: -25°C~+85°C
 Insulator Resistance: 1000MΩ/Min.
 Withstanding Voltage: 1500V AC/Minute
 Contact Resistance: 20MΩ/Max

Order Information:

RHTAY3.96-XX-H

Pitch:3.96mm

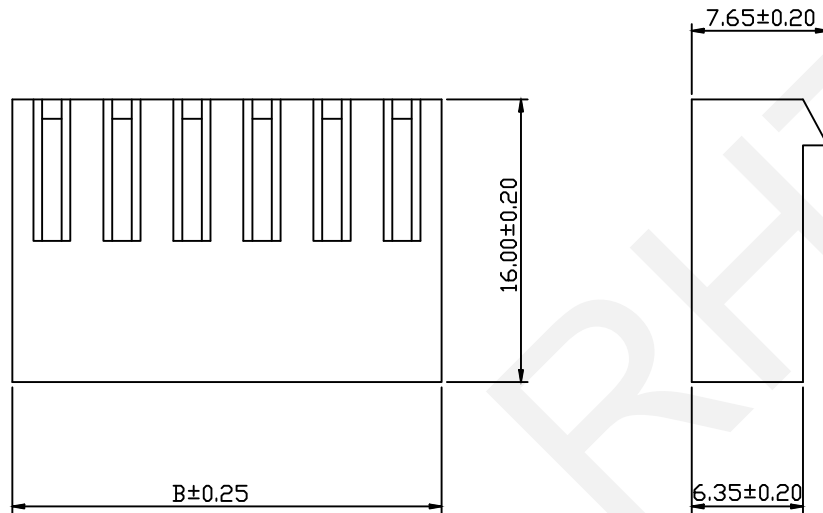
XX-No.of 02~20Pin

Type:

H-Hosing T-Terminal

S-Straight Male Pin

R-Right Angle Male Pin



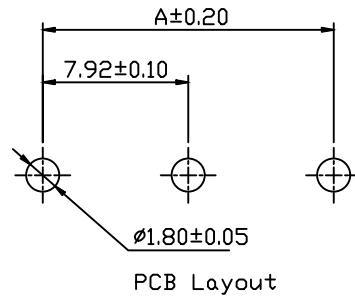
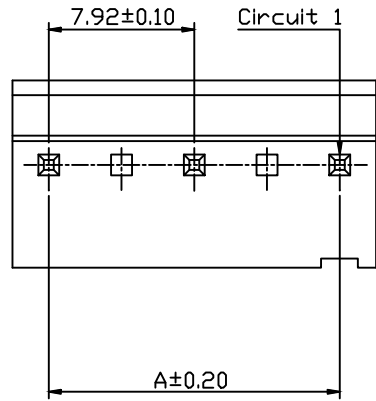
RHITECP NINGBO RHT ELECTRONIC CO.,LTD

UNITS:mm	SHEET SIZE: A4	SCALE:---	DRWN BY PAN
0~3	3~18	18~50	50~120
±0.12	±0.15	±0.3	±0.5

CHK'D BY FENG
APPR BY ZHAN

3.96mm Pitch KK396 KK2139
Wire To Board Connector
THIRD ANGLE PROJECTION
 RHTAY3.96-XX-H

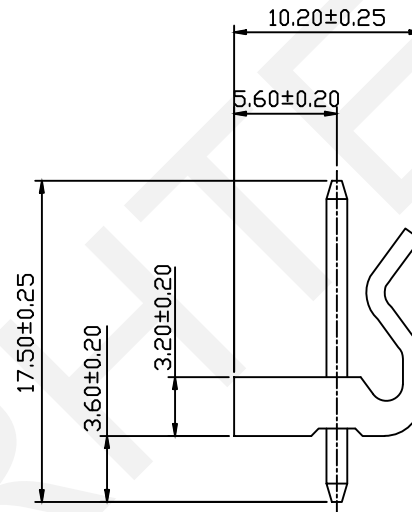
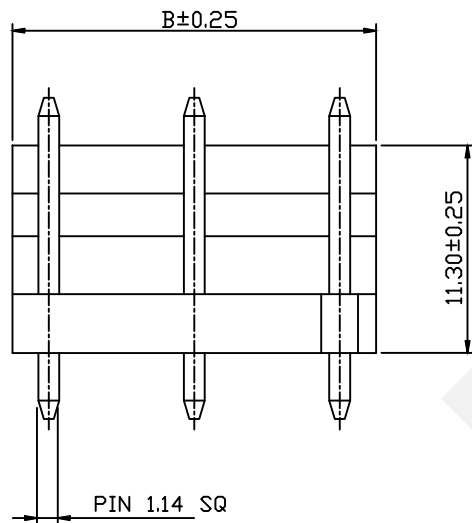
RoHS Compliance



Pins	Dimension(mm)	
	A	B
03	7.92	11.88
05	15.84	19.80
07	23.76	27.72
09	31.68	35.64
11	39.60	43.56
13	47.52	51.48
15	55.44	59.40
17	63.36	67.32
19	71.28	75.24

Material:
 Housing: PA66,UL94V-2,Natrual
 Contact:Brass
 Plating: Tin plate Over Nickel

Electrical Characteristics:
 Rated Current : 7.0AMP
 Voltage Rating : 250V AC,DC
 Temperature Range: -40°C~+105°C
 Insulator Resistance: 1000MΩ/Min.
 Withstanding Voltage: 1500V AC/Minute
 Contact Resistance: 10MΩ/Max

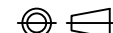


Order Information:
 RHTAY3.96-XXPK-S

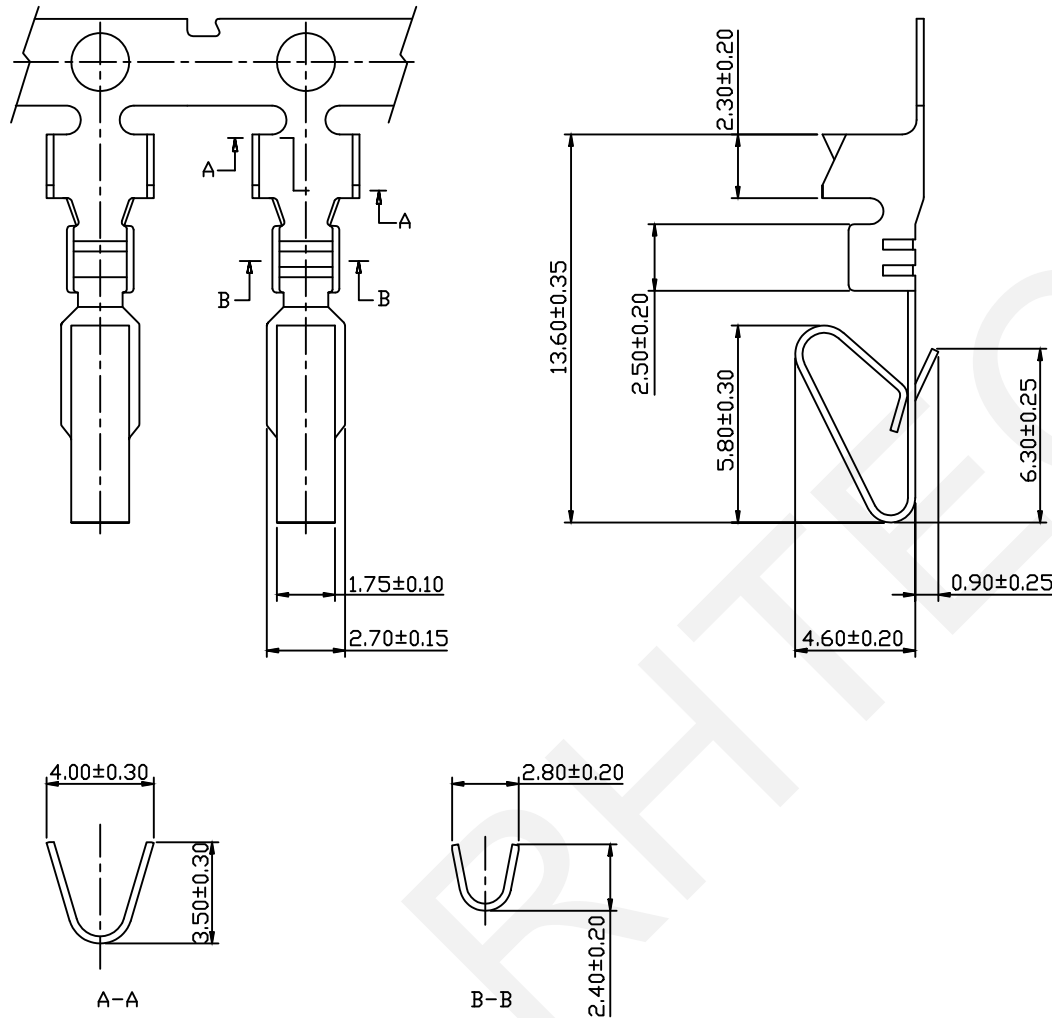
Pitch:3.96mm
 XX-No.of 03~19Pins
 XK-Empty Pins
 Type: _____
 S-Straight Male Pin
 R-Right Angle Male Pin

RHTECP NINGBO RHT ELECTRONIC CO.,LTD

UNITS:mm	SHEET SIZE: A4	SCALE:---	DRWN BY PAN
0~3	3~18	18~50	50~120
±0.12	±0.15	±0.3	±0.5
CHK'D BY FENG		APPR BY ZHAN	

3.96mm Pitch KK396 KK2139
 Wire To Board Connector
 THIRD ANGLE PROJECTION

 RHTAY3.96-XXPK-S

RoHS Compliance



Material:
 Terminal: Brass
 Plating: Tin plated
 Applicable Wires: AWG #24~#18
 Insulation O.D.: 2.8mm
 Thickness: 0.25mm
 Qty/Reel: 5000 PCS

Electrical Characteristics:
 Rated Current : 7.0AMP
 Voltage Rating : 250V AC,DC
 Temperature Range: $-25^{\circ}\text{C} \sim +85^{\circ}\text{C}$
 Insulator Resistance: $1000\text{M}\Omega/\text{Min.}$
 Withstanding Voltage: 1500V AC/Minute
 Contact Resistance: $20\text{M}\Omega/\text{Max}$

Order Information:

RHTAY3.96-T

Pitch: 3.96mm

Type:

H-Hosing T-Terminal

S-Straight Male Pin

R-Right Angle Male Pin

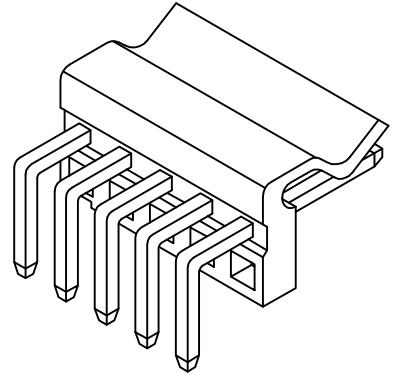
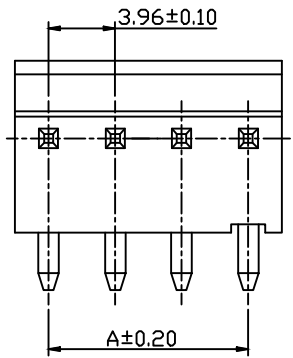
 NINGBO RHT ELECTRONIC CO.,LTD

UNITS:mm	SHEET SIZE: A4			SCALE:---	DRWN BY PAN
0~3	3~18	18~50	50~120	CHK'D BY FENG	
± 0.12	± 0.15	± 0.3	± 0.5	APPR BY ZHAN	

3.96mm Pitch KK396 KK2139
 Wire To Board Connector
 THIRD ANGLE PROJECTION

 RHTAY3.96-T

RoHS Compliance

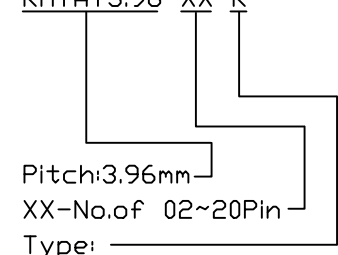


Pins	Dimension(mm)	
	A	B
02	3.96	7.92
03	7.92	11.88
04	11.88	15.84
05	15.84	19.80
06	19.80	23.76
07	23.76	27.72
08	27.72	31.68
09	31.68	35.64
10	35.64	39.60
11	39.60	43.56
12	43.56	47.52
13	47.52	51.48
14	51.48	55.44
15	55.44	59.40
16	59.40	63.36
17	63.36	67.32
18	67.32	71.28
19	71.28	75.24
20	75.24	79.20

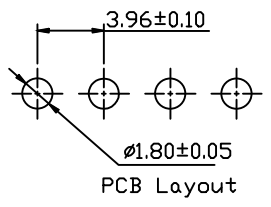
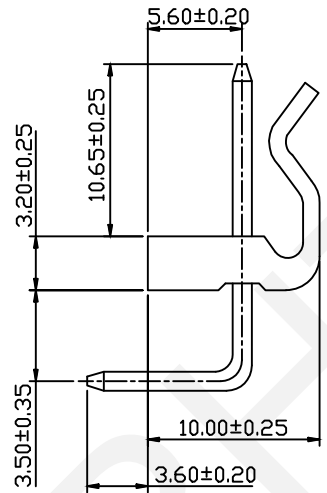
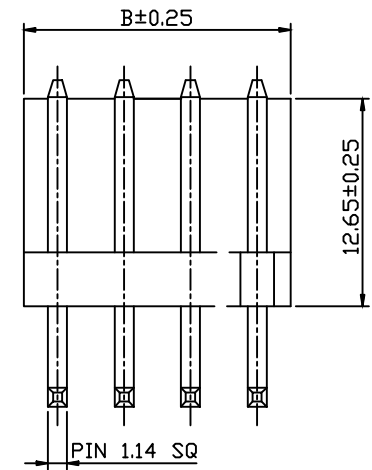
Material:
Housing: PA66,UL94V-2
Contact:Brass
Plating: Tin plate

Electrical Characteristics:
Rated Current : 7.0AMP
Voltage Rating : 250V AC,DC
Temperature Range: -25°C~+85°C
Insulator Resistance: 1000MΩ/Min.
Withstanding Voltage: 1500V AC/Minute
Contact Resistance: 20MΩ/Max

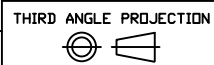
Order Information:
RHTAY3.96-XX-R



Pitch:3.96mm
XX-No.of 02~20Pin
Type:
H-Hosing T-Terminal
S-Straight Male Pin
R-Right Angle Male Pin

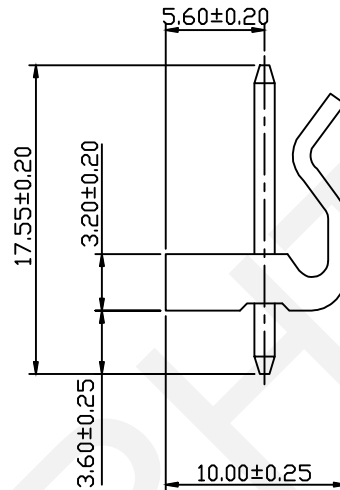
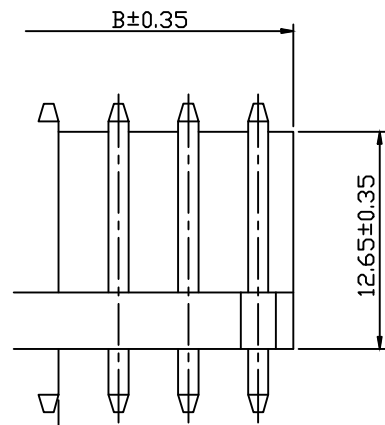
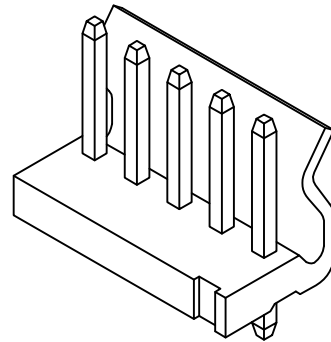
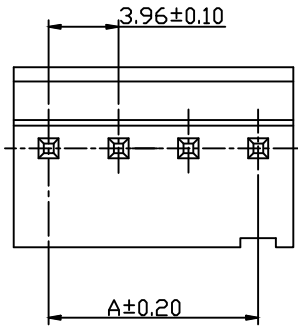


UNITS:mm	SHEET SIZE: A4				SCALE:---	DRWN BY PAN
0~3	3~18	18~50	50~120	CHK'D BY FENG	3.96mm Pitch KK396 KK2139 Wire To Board Connector	
±0.12	±0.15	±0.3	±0.5	APPR BY ZHAN	THIRD ANGLE PROJECTION	RHTAY3.96-XX-R

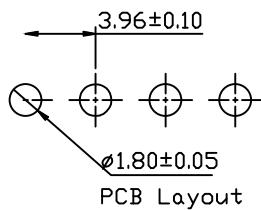


NINGBO RHT ELECTRONIC CO.,LTD

RoHS Compliance



PIN 1.14 SQ

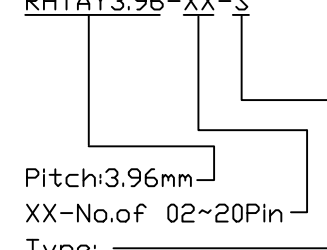


Pins	Dimension(mm)	
	A	B
02	3.96	7.92
03	7.92	11.88
04	11.88	15.84
05	15.84	19.80
06	19.80	23.76
07	23.76	27.72
08	27.72	31.68
09	31.68	35.64
10	35.64	39.60
11	39.60	43.56
12	43.56	47.52
13	47.52	51.48
14	51.48	55.44
15	55.44	59.40
16	59.40	63.36
17	63.36	67.32
18	67.32	71.28
19	71.28	75.24
20	75.24	79.20

Material:
Housing: PA66,UL94V-2
Contact:Brass
Plating: Tin plate

Electrical Characteristics:
Rated Current : 7.0AMP
Voltage Rating : 250V AC,DC
Temperature Range: -25°C~+85°C
Insulator Resistance: 1000MΩ/Min.
Withstanding Voltage: 1500V AC/Minute
Contact Resistance: 20MΩ/Max

Order Information:
RHTAY3.96-XX-S



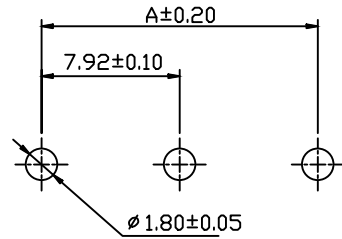
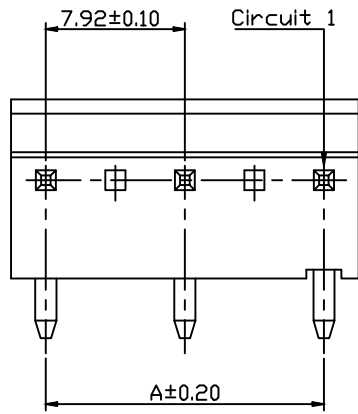
Pitch:3.96mm
XX-No.of 02~20Pin
Type:
H-Hosing T-Terminal
S-Straight Male Pin
R-Right Angle Male Pin

RHTECP NINGBO RHT ELECTRONIC CO.,LTD

UNITS:mm	SHEET SIZE: A4	SCALE:---	DRWN BY PAN
0~3	3~18	18~50	50~120
±0.12	±0.15	±0.3	±0.5
			CHK'D BY FENG
			APPR BY ZHAN

3.96mm Pitch KK396 KK2139
Wire To Board Connector
THIRD ANGLE PROJECTION
 RHTAY3.96-XX-S

RoHS Compliance



Pins	Dimension(mm)	
	A	B
03	7.92	11.88
05	15.84	19.80
07	23.76	27.72
09	31.68	35.64
11	39.60	43.56
13	47.52	51.48
15	55.44	59.40
17	63.36	67.32
19	71.28	75.24

Material:

Housing: PA66,UL94V-2,Natrual

Contact:Brass

Plating: Tin plate Over Nickel

Electrical Characteristics:

Rated Current : 7.0AMP

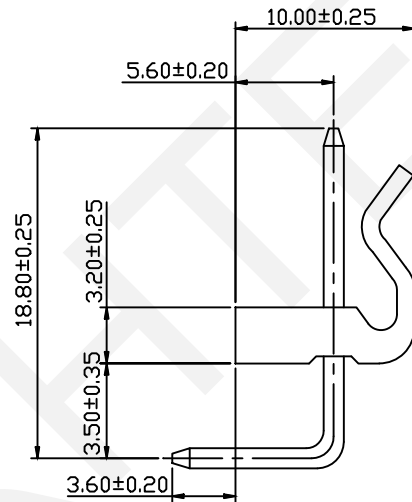
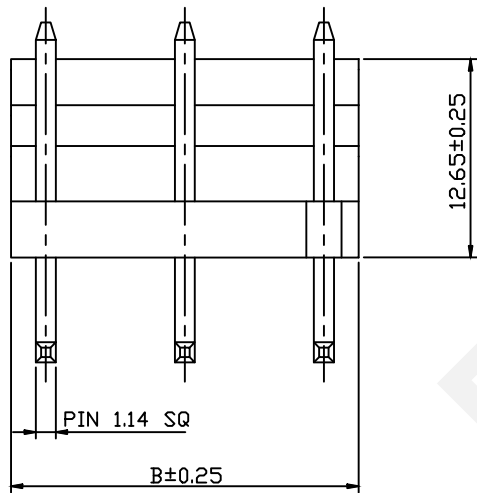
Voltage Rating : 250V AC,DC

Temperature Range: -40°C~+105°C

Insulator Resistance: 1000MΩ/Min.

Withstanding Voltage: 1500V AC/Minute

Contact Resistance: 10MΩ/Max



Order Information:

RHTAY3.96-XXPK-R

Pitch:3.96mm

XX-No.of 03~19Pins

XK-Empty Pins

Type: _____

S-Straight Male Pin

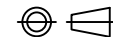
R-Right Angle Male Pin

RHTECP NINGBO RHT ELECTRONIC CO.,LTD

UNITS:mm	SHEET SIZE: A4	SCALE:---	DRWN BY PAN
0~3	3~18	18~50	50~120
±0.12	±0.15	±0.3	±0.5
CHK'D BY FENG			APPR BY ZHAN

3.96mm Pitch KK396 KK2139
Wire To Board Connector

THIRD ANGLE PROJECTION



RHTAY3.96-XXPK-R