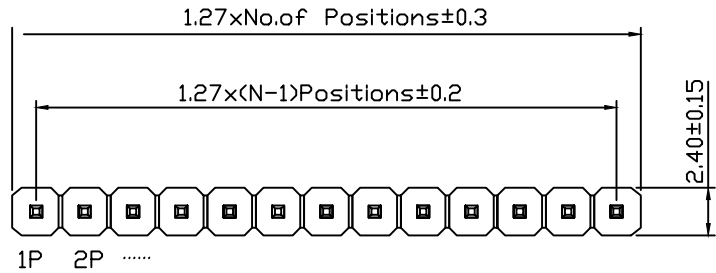
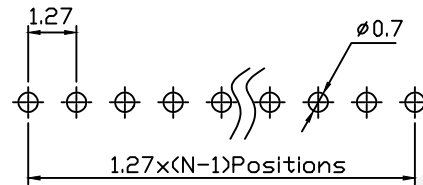


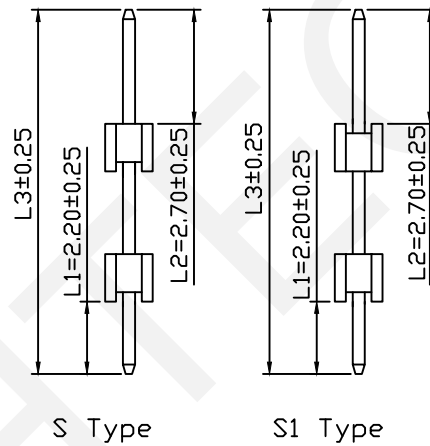
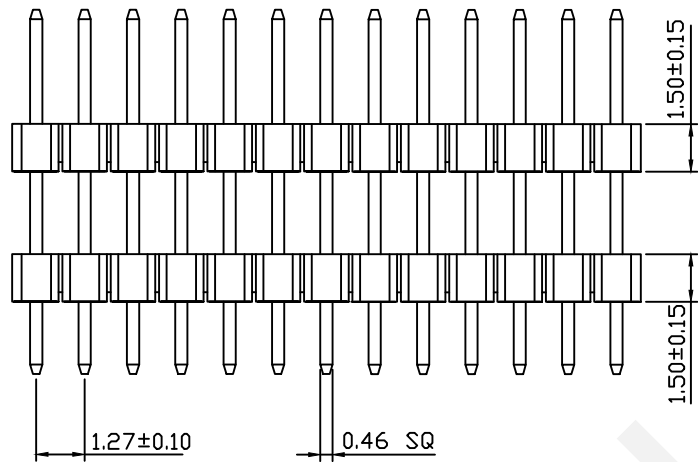
RoHS Compliance



Recommended P.C.B Layout(Top Side)
(PCB BOARD TOLERANCE±0.05)



Material:
Standard: PA6T
Contact: Brass
Insulator: Polyester,UL94V-0
Electrical Characteristics:
Rated Current: 1AMP
Contact Resistance: 20mΩ Max
Withstand Voltage: 500V AC/DC
Insulator Resistance: 1000MΩ Min
Mechanical
Operating Temperature: -40°C~+105°C
Max.Processing Temp:180°C For 30-60 Seconds
(200°C For 10 Seconds)



Order Information:
RHTAY18C-1.50-1-XX-S-L1xL2xL3-G0

Pin Header Series
18C: 1.27mm
Plastics Height: 1.00,1.50,1.70,2.00,2.50mm
Per Row:Single Layer
Pin: No. of Pins (1x40)
Straight Pin:S Type, S1 Type
Size:L1xL2xL3
Plating: G0=Gold Flash G1=1u" Gold
G10=10u" Gold G15=15u" Gold
G30=30u" Gold

Dimension Antitheses List (mm)				
ITEM	L1	L2	L3	Plastic Height
Standard	2.20	2.70	---	1.50
Nonstandard	---	---	---	---

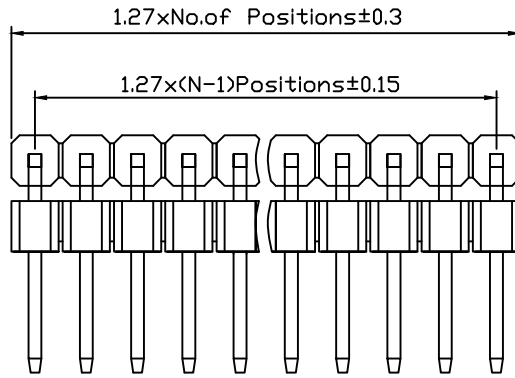
UNITS:mm	SHEET SIZE: A4	SCALE:---	DRWN BY PAN
0~3	3~18	18~50	50~120
±0.12	±0.15	±0.3	±0.5
CHK'D BY FENG		APPR BY ZHAN	

1.27mm Pin Header
Single Layer,Straight Pin, 1xN Pin
THIRD ANGLE PROJECTION
RHTAY18C-1.50-1-XX-S-L1xL2xL3-G0

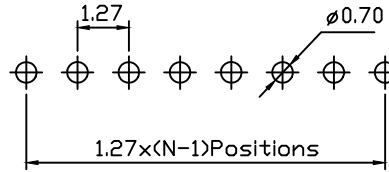


NINGBO RHT ELECTRONIC CO.,LTD

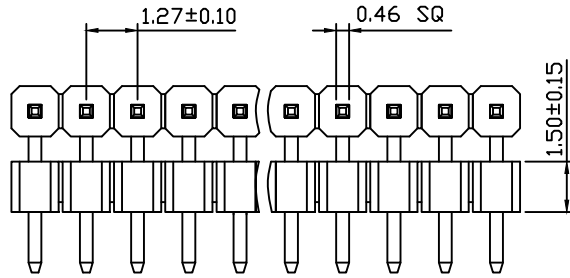
RoHS Compliance



Recommended P.C.Board Layout
(PCB Tolerance±0.05(Top View))



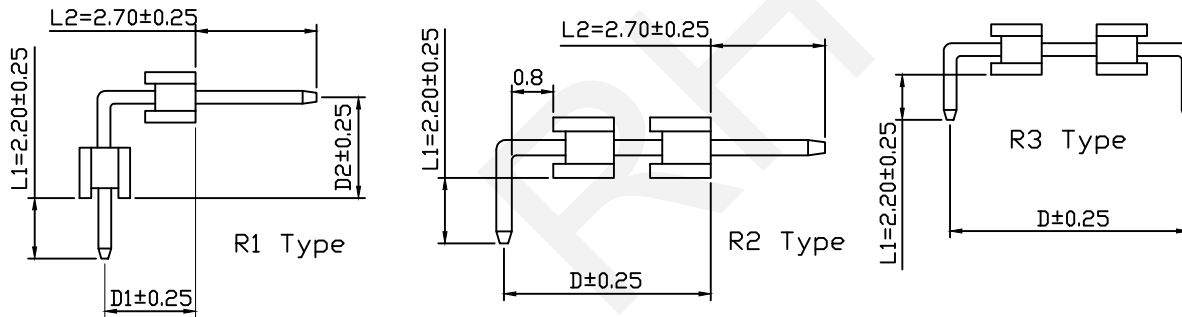
Material:
Standard: PA6T
Contact: Brass
Insulator: Polyester,UL94V-0
Electrical Characteristics:
Rated Current: 1AMP
Contact Resistance: 20mΩ Max
Withstand Voltage: 500V AC/DC
Insulator Resistance: 1000MΩ Min
Mechanical
Operating Temperature: -40°C~+105°C



Dimension Antitheses List (mm)						
ITEM	L1	L2	D	D1	D2	Plastic Height
Standard	2.20	2.70	---	---	---	1.50
Nonstandard	---	---	---	---	---	---

Order Information:
RHTAY18C-1.50-1-XX-R2-L1xL2xD-G0

Pin Header Series
18C: 1.27mm
Plastics Height:
1.00,1.50,1.70,2.00,2.50mm
Per Row:Single Layer
Pin: No. of Pins (1x40)
Right Pin:R1Type,R2Type,R3Type
Size:L1xL2xD
Plating:
G0=Gold Flash G1=1u" Gold
G10=10u" Gold G15=15u" Gold
G30=30u" Gold



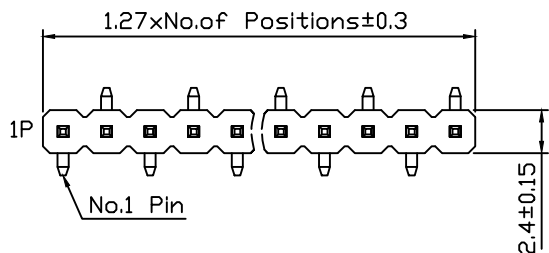
RHTECP NINGBO RHT ELECTRONIC CO.,LTD

UNITS:mm	SHEET SIZE: A4	SCALE:---	DRWN BY PAN
0~3	3~18	18~50	50~120
±0.12	±0.15	±0.3	±0.5
CHK'D BY FENG		APPR BY ZHAN	

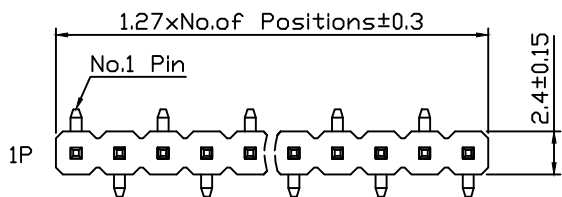
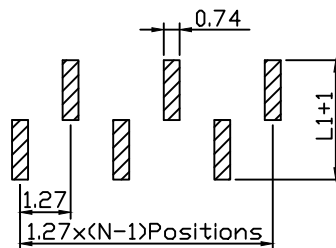
1.27mm Pin Header
Single Layer,Right Angle Pin, 1xN Pin
THIRD ANGLE PROJECTION
RHTAY18C-1.50-1-XX-R2-L1xL2xD-G0

RoHS Compliance

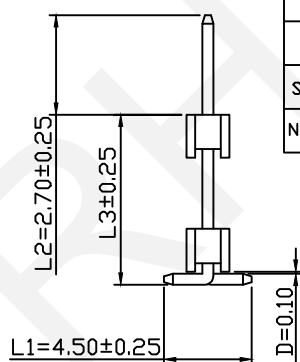
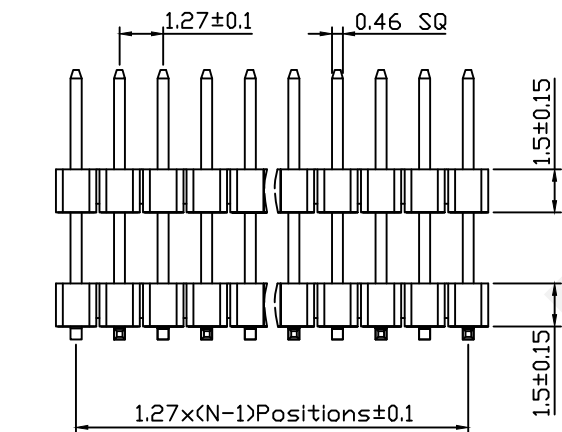
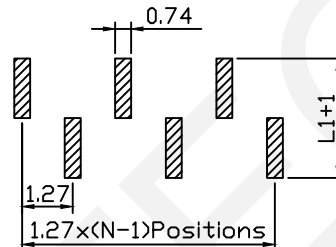
Recommended P.C.B Layout<Top Side>
(PCB BOARD TOLERANCE±0.05)



T2 Type



T1 Type



Dimension Antitheses List (mm)					
ITEM	L1	L2	L3	D	Plastic Height
Standard	4.50	2.70	---	0.10	1.50
Nonstandard	---	---	---	---	---

Material:
Standard: PA6T
Contact: Brass
Insulator: Polyester,UL94V-0
Electrical Characteristics:
Rated Current: 1AMP
Contact Resistance: 20mΩ Max
Withstand Voltage: 500V AC/DC
Insulator Resistance: 1000MΩ Min
Mechanical
Operating Temperature: -40°C~+105°C
Max.Processing Temp:230°C For 30-60 Seconds
(260°C For 10 Seconds)

Order Information:
RHTAY18C-1.50-1-XX-T1-L1xL2xL3xD-G0-N-R

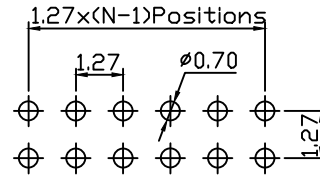
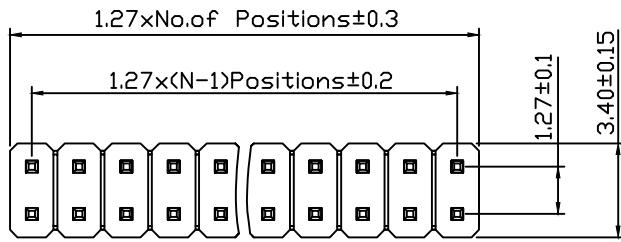
Pin Header Series
18C: 1.27mm
Plastics Height: 1.00,1.50,1.70,2.00,2.50mm
Per Row:Single Layer
Pin: No. of Pins (1x40)
SMT Pin:T1 Type, T2 Type
Size:L1xL2xL3xD
Plating:
G0=Gold Flash G1=1u" Gold G10=10u" Gold
G15=15u" Gold G30=30u" Gold
Post:W=With Post N=W/0 Post
Packing:
0=PE Bag A=Tray T=Tube
P=Tube+Cap R=Reel+Cap

RHTECP NINGBO RHT ELECTRONIC CO.,LTD

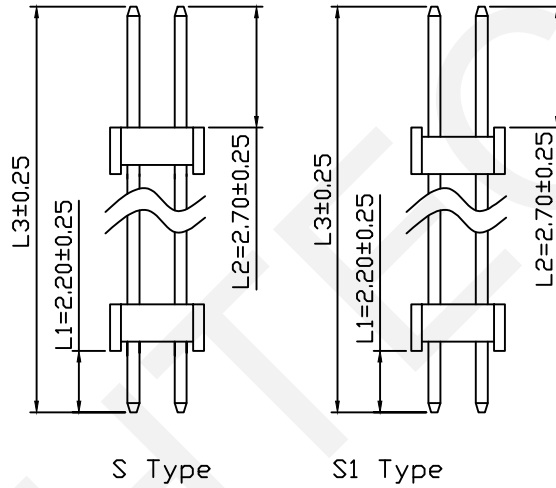
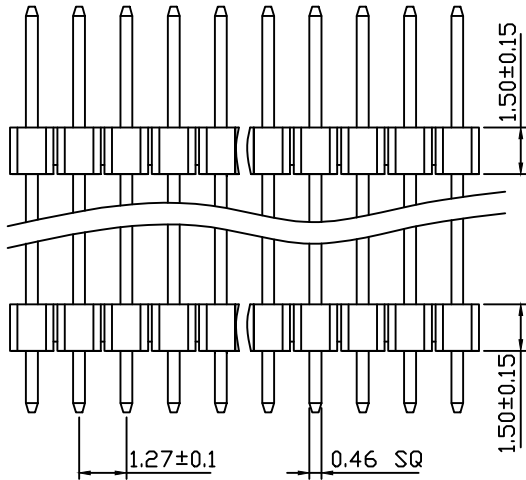
UNITS:mm SHEET SIZE: A4 SCALE:--- DRWN BY PAN
0~3 3~18 18~50 50~120 CHK'D BY FENG
±0.12 ±0.15 ±0.3 ±0.5 APPR BY ZHAN

1.27mm Pin Header
Single Layer,SMT Mounting Type, 1xN Pin
THIRD ANGLE PROJECTION
RHTAY18C-1.50-1-XX-T1-L1xL2xL3xD-G0-N-R

RoHS Compliance



Recommend P.C.Board Layout
PCB Tolerance±0.05(Top View)



Dimension Antitheses List (mm)				
ITEM	L1	L2	L3	Plastic Height
Standard	2.20	2.70	---	1.50
Nonstandard	---	---	---	---

Material:
Standard: PA6T
Contact: Brass
Insulator: Polyester,UL94V-0
Electrical Characteristics:
Rated Current: 1AMP
Contact Resistance: 20mΩ Max
Withstand Voltage: 500V AC/DC
Insulator Resistance: 1000MΩ Min
Mechanical
Operating Temperature: -40°C~+105°C

Order Information:
RHTAY18C-1.50-2-XX-S-L1xL2xL3-G0

Pin Header Series
18C: 1.27mm
Plastics Height: 1.00,1.50,1.70,2.00,2.50mm
Per Row:Double Layer
Pin: No. of Pins (02~80)
Straight Pin:S Type, S1 Type
Size:L1xL2xL3
Plating:
G0=Gold Flash G1=1u" Gold
G10=10u" Gold G15=15u" Gold
G30=30u" Gold

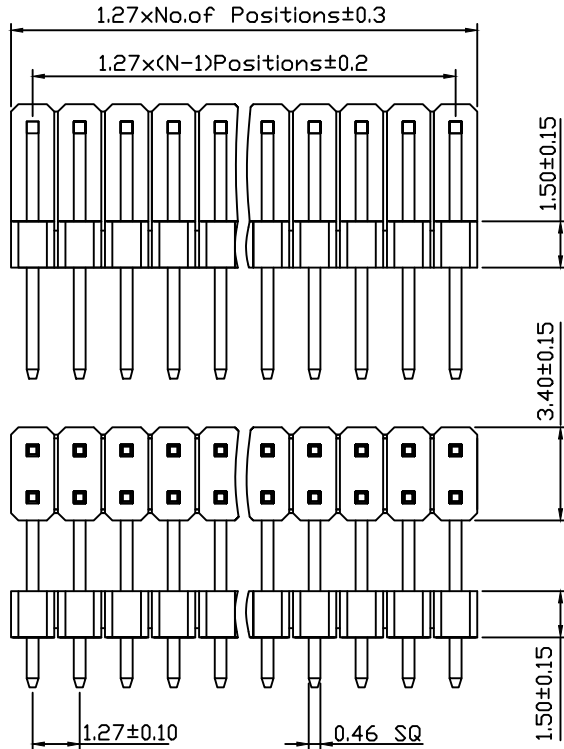


NINGBO RHT ELECTRONIC CO.,LTD

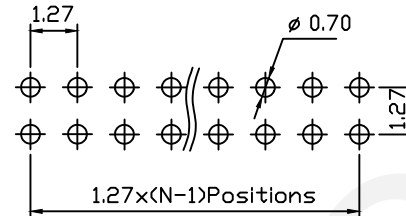
UNITS:mm	SHEET SIZE: A4			SCALE:---	DRWN BY PAN
0~3	3~18	18~50	50~120	CHK'D BY FENG	
±0.12	±0.15	±0.3	±0.5	APPR BY ZHAN	

1.27mm Pin Header Double Layer, Straight Pin, 2xN Pin	
THIRD ANGLE PROJECTION 	RHTAY18C-1.50-2-XX-S-L1xL2xL3-G0

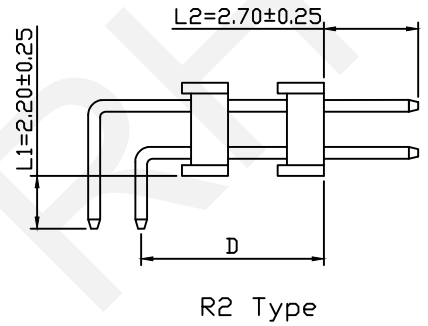
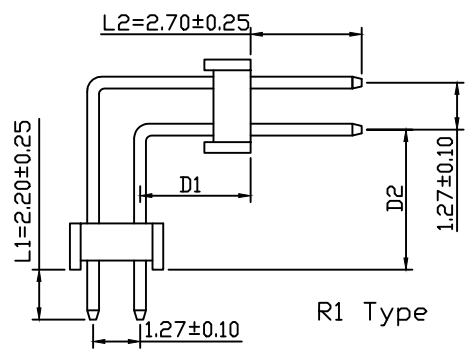
RoHS Compliance



Recommend P.C.Board Layout
PCB Tolerance±0.05(Top View)



Dimension Antitheses List (mm)						
ITEM	L1	L2	D	D1	D2	Plastic Height
Standard	2.20	2.70	---	---	---	1.50
Nonstandard	---	---	---	---	---	---



Material:
Standard: PA6T
Contact: Brass
Insulator: Polyester,UL94V-0
Electrical Characteristics:
Rated Current: 1AMP
Contact Resistance: 20mΩ Max
Withstand Voltage: 500V AC/DC
Insulator Resistance: 1000MΩ Min
Mechanical
Operating Temperature: -40°C~+105°C
Max.Processing Temp:180°C For 30-60 Seconds
(200°C For 10 Seconds)

Order Information:
RHTAY18C-1.50-2-XX-R2-L1xL2xD-G0

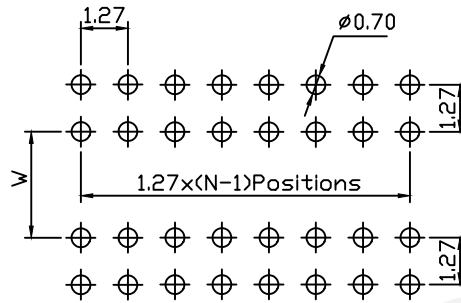
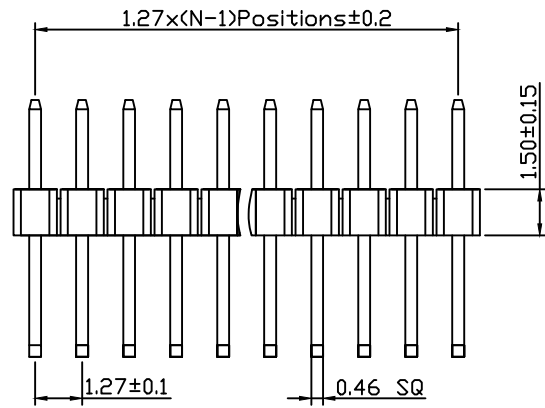
Pin Header Series
18C: 1.27mm
Plastics Height:
1.00,1.50,1.70,2.00,2.50mm
Per Row:Double Layer
Pin: No. of Pins (02~80)
Right Angle Pin:R1Type, R2Type
Size:L1xL2xD
Plating:
G0=Gold Flash G1=1u" Gold
G10=10u" Gold G15=15u" Gold
G30=30u" Gold

RHTECP NINGBO RHT ELECTRONIC CO.,LTD

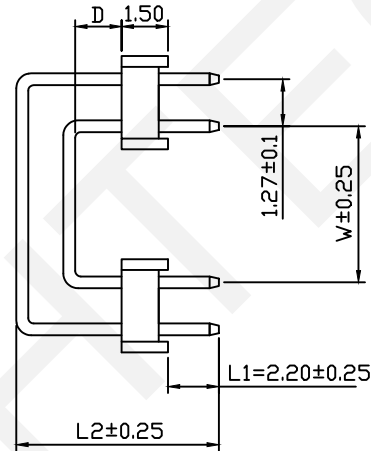
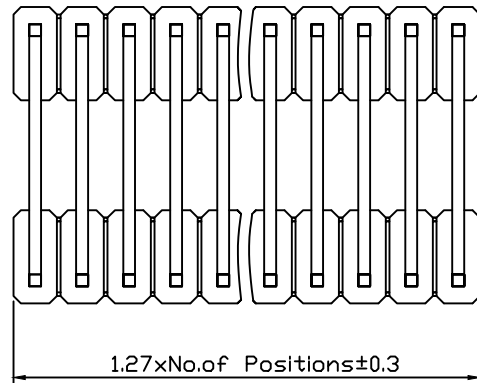
UNITS:mm	SHEET SIZE: A4	SCALE:---	DRWN BY PAN
0~3	3~18	18~50	50~120
±0.12	±0.15	±0.3	±0.5
			CHK'D BY FENG
			APPR BY ZHAN

1.27mm Pin Header
Double Layer,Right Angle Pin, 2xN Pin
THIRD ANGLE PROJECTION
RHTAY18C-1.50-2-XX-R2-L1xL2xD-G0

RoHS Compliance



Recommend P.C.Board Layout
PCB Tolerance±0.05<Top View>



Dimension Antitheses List (mm)					
ITEM	L1	L2	D	W	Plastic Height
Standard	2.20	---	---	---	1.50
Nonstandard	---	---	---	---	---

Material:
Standard: PA6T
Contact: Brass
Insulator: Polyester,UL94V-0
Electrical Characteristics:
Rated Current: 1AMP
Contact Resistance: 20mΩ Max
Withstand Voltage: 500V AC/DC
Insulator Resistance: 1000MΩ Min
Mechanical
Operating Temperature: -40°C~+105°C
Max.Processing Temp:180°C For 30-60 Seconds
(200°C For 10 Seconds)

Order Information:
RHTAY18C-1.50-2-XX-R3-L1xL2xDxW-G0

Pin Header Series
18C: 1.27mm
Plastics Height:
1.00,1.50,1.70,2.00,2.50mm
Per Row:Double Layer
Pin: No. of Pins (02~80)
Type:Right Angle Pin
Size:L1xL2xDxW
Plating:
G0=Gold Flash G1=1u" Gold
G10=10u" Gold G15=15u" Gold
G30=30u" Gold

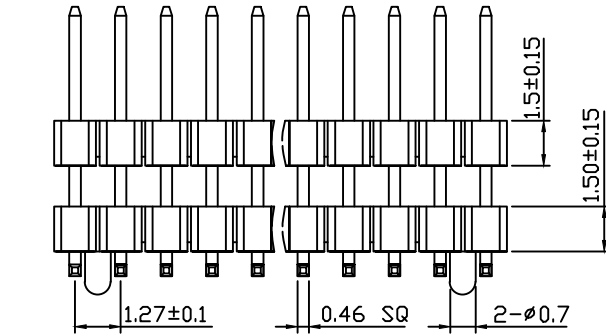
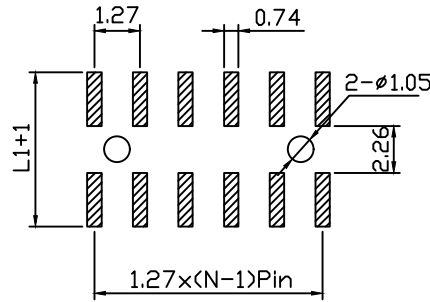
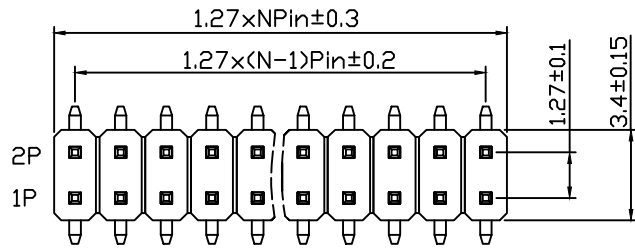
NINGBO RHT ELECTRONIC CO.,LTD

UNITS:mm SHEET SIZE: A4 SCALE:---
0~3 3~18 18~50 50~120
±0.12 ±0.15 ±0.3 ±0.5

DRWN BY PAN
CHK'D BY FENG
APPR BY ZHAN

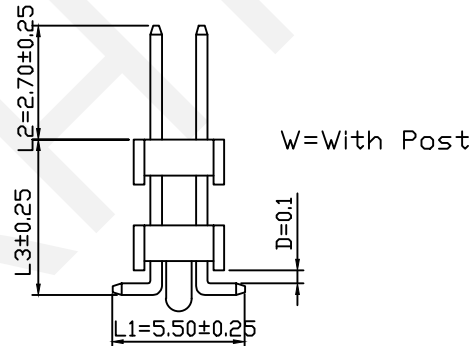
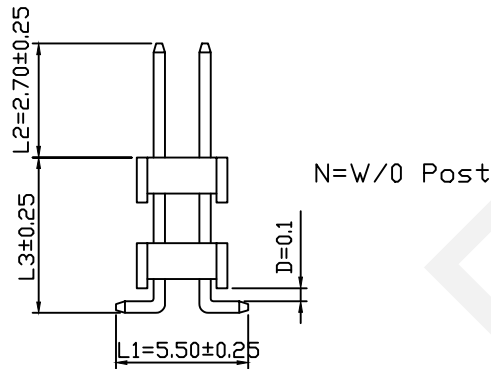
1.27mm Pin Header
Double Layer,Right Angle Pin, 2xN Pin
THIRD ANGLE PROJECTION
 RHTAY18C-2.50-2-XX-R3-L1xL2xDxW-G0

RoHS Compliance



Recommended P.C.B Layout (Top Side)
(PCB BOARD TOLERANCE±0.05)

Dimension Antitheses List (mm)					
ITEM	L1	L2	L3	D	Plastic Height
Standard	5.50	2.70	---	0.10	1.50
Nonstandard	---	---	---	---	---



Material:
Standard: PA6T
Contact: Brass
Insulator: Polyester,UL94V-0
Electrical Characteristics:
Rated Current: 1AMP
Contact Resistance: 20mΩ Max
Withstand Voltage: 500V AC/DC
Insulator Resistance: 1000MΩ Min
Mechanical
Operating Temperature: -40°C~+105°C
Max.Processing Temp:230°C For 30-60 Seconds
(260°C For 10 Seconds)

Order Information:

RHTAY18C-1.50-2-XX-T-L1xL2xL3xD-G0-W-R

Pin Header Series
18C: 1.50mm
Plastics Height:
1.00,1.50,1.70,2.00,2.50mm
Per Row:Double Layer
Pin: No. of Pins (02~80)
Type:SMT Mounting type
Size:L1xL2xL3xD
Plating:
G0=Gold Flash G1=1u" Gold G10=10u" Gold
G15=15u" Gold G30=30u" Gold
Post:W=With Post N=W/O Post
Packing:
0=PE Bag A=Tray T=Tube
P=Tube+Cap R=Reel+Cap

NINGBO RHT ELECTRONIC CO.,LTD

UNITS:mm	SHEET SIZE: A4	SCALE:---	DRWN BY PAN
0~3	3~18	18~50	50~120
±0.12	±0.15	±0.3	±0.5
CHK'D BY FENG		APPR BY ZHAN	

1.27mm Pin Header
Double Layer,SMT Mounting Type, 2xN Pin
THIRD ANGLE PROJECTION
 RHTAY18C-1.50-2-XX-T-L1xL2xL3xD-G0-W-R