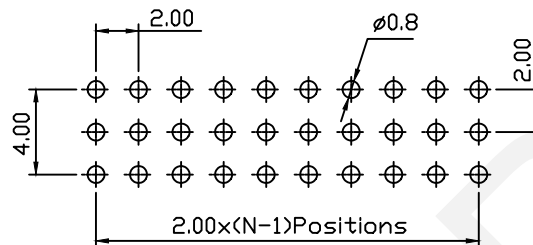
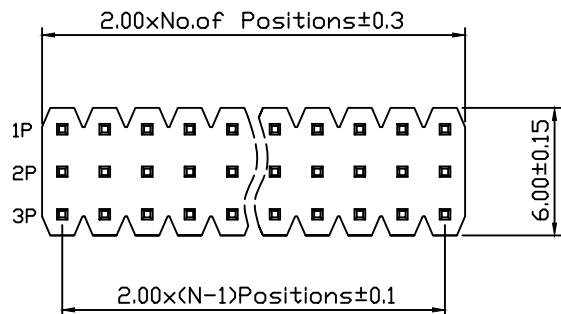
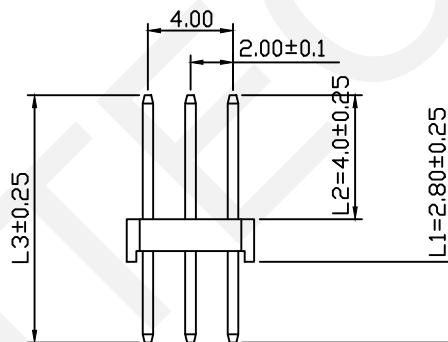
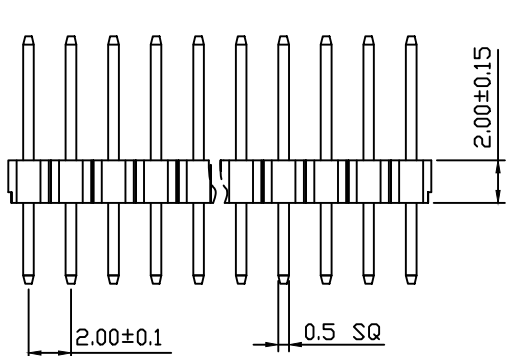


RoHS Compliance



Recommended P.C.B Layout(Top Side)  
(PCB BOARD TOLERANCE±0.05)



Dimension Antitheses List (mm)				
ITEM	L1	L2	L3	Plastic Height
Standard	2.80	4.00	---	2.00
Nonstandard	---	---	---	---

Material:

Standard: PA6T

Contact: Brass

Insulator: Polyester,UL94V-0

Electrical Characteristics:

Rated Current: 1.5AMP

Contact Resistance: 20mΩ Max

Withstand Voltage: 1000V AC/DC

Insulator Resistance: 500MΩ Min

Mechanical

Operating Temperature: -40°C~+105°C

Max.Processing Temp:230°C For30-60

Seconds<260°C For10 Seconds>

Order Information:

RHTAY07B-3-XX-S-L1xL2xL3-G0

Pin Header Series

07B:2.00mm

Per Row:Three Layer

Pin: No. of Pins (03~120)

Type: Straight Pin.

Size:L1xL2xL3

Plating:

G0=Gold Flash G1=1u' Gold

G10=10u' Gold G15=15u' Gold

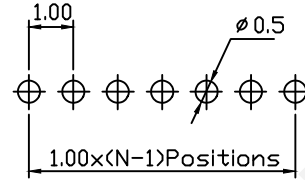
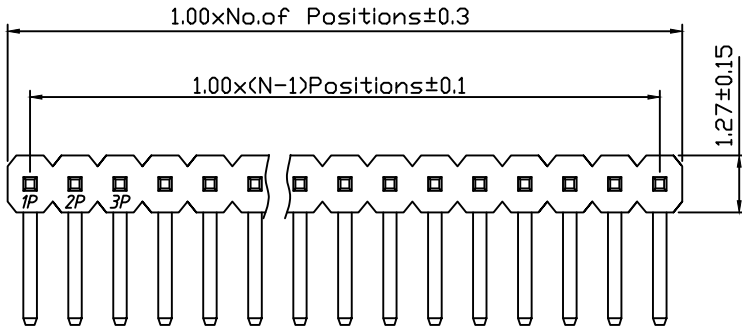
G30=30u' Gold

**RHTECP** NINGBO RHT ELECTRONIC CO.,LTD

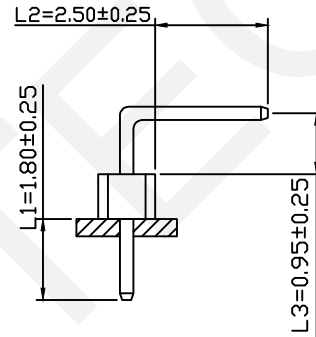
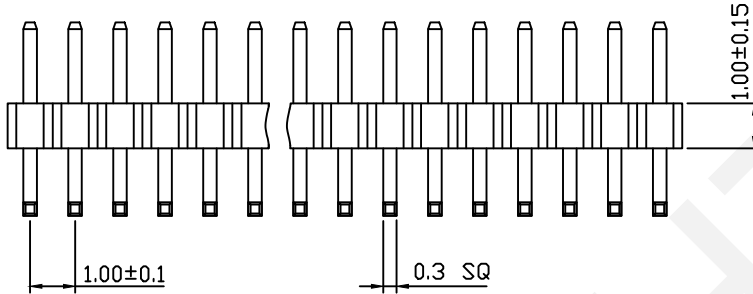
UNITS:mm	SHEET SIZE: A4	SCALE:---	DRWN BY PAN
0~3	3~18	18~50	50~120
±0.12	±0.15	±0.3	±0.5
CHK'D BY FENG		APPR BY ZHAN	

2.00mm Pin Header  
Three Layer, Straight Pin, 3xN Pin  
THIRD ANGLE PROJECTION  
 RHTAY07B-3-XX-S-L1xL2xL3-G0

RoHS Compliance



Recommended P.C.B Hole Layout



R1 Type

Dimension Antitheses List (mm)				
ITEM	L1	L2	L3	Plastic Height
Standard	1.80	2.50	0.95	1.00
Nonstandard	---	---	---	---

Material:

Standard: PA6T

Contact: Brass

Insulator: Polyester,UL94V-0

Electrical Characteristics:

Rated Current: 1.5AMP

Contact Resistance: 20mΩ Max

Withstand Voltage: 1000V AC/DC

Insulator Resistance: 500MΩ Min

Mechanical

Operating Temperature: -40°C~+105°C

Max.Processing Temp:230°C For30-60

Seconds(260°C For10 Seconds)

Order Information:

RHTAY07B-3-XX-R1-L1xL2xL3-G0

Pin Header Series

07B:2.00mm

Per Row:Three Layer

Pin: No. Of Pins (03~120)

Right Angle Pin:R1 Type

Size:L1xL2xL3

Plating:

G0=Gold Flash G1=1u" Gold

G10=10u" Gold G15=15u" Gold

G30=30u" Gold



NINGBO RHT ELECTRONIC CO.,LTD

UNITS:mm	SHEET SIZE: A4	SCALE:---	DRWN BY PAN
0~3	3~18	18~50	50~120
±0.12	±0.15	±0.3	±0.5
			CHK'D BY FENG
			APPR BY ZHAN

2.00mm Pin Header  
Three Layer,Right Angle Pin, 3xN Pin

THIRD ANGLE PROJECTION

RHTAY07B-3-XX-R1-L1xL2xL3-G0