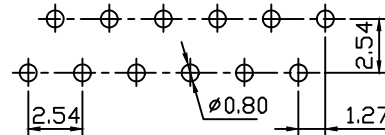
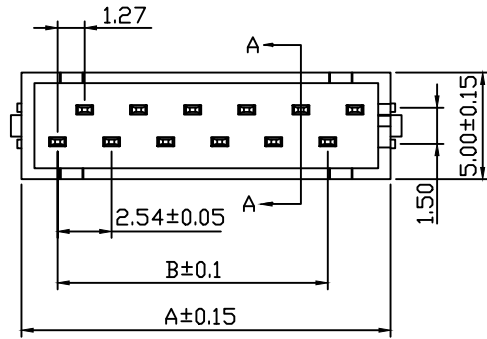


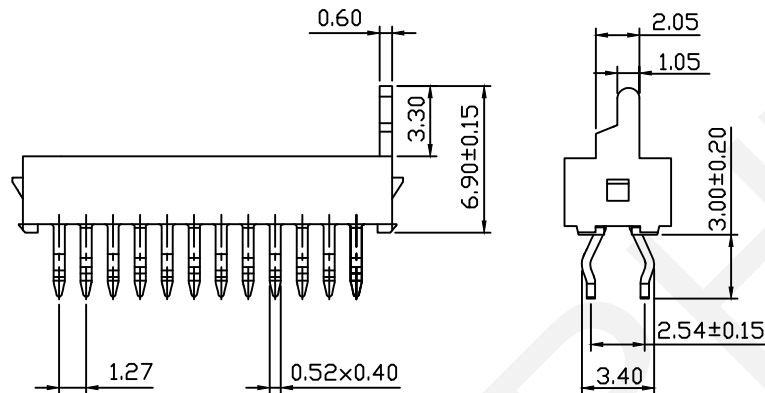
RoHS Compliance



Recommended P.C.B Layout(Top Side)  
(PCB BOARD TOLERANCE±0.05)

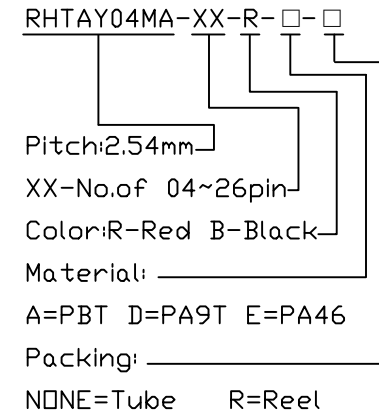
Material:  
Housing :PBT/PA46 UL94V-0  
Contacts: Brass  
Plating: Sn Over Ni

Electrical Characteristics:  
Current Rating : 1.0AMP  
Contact Resistance: 20MΩ ohm Max  
Insulator Resistance: 1000MΩ ohm Min  
Withstand Voltage: 500V AC  
Operating Temperature:-40°C~+105°C



Poles	DIM.A	DIM.B	Qty/Tube
04	7.20	2.54	68
06	9.74	5.08	52
08	12.28	7.62	42
10	14.82	10.16	36
12	17.36	12.70	31
14	19.90	15.24	27
16	22.44	17.78	24
18	24.98	20.32	22
20	27.52	22.86	20
22	30.06	25.40	18
24	32.60	27.94	17
26	35.14	30.48	16

Order Information:



**RHTECP** NINGBO RHT ELECTRONIC CO.,LTD

UNITS:mm	SHEET SIZE: A4	SCALE:---	DRWN BY PAN
0~3	3~18	18~50	50~120
±0.12	±0.15	±0.3	±0.5
CHK'D BY FENG		APPR BY ZHAN	

Micro Match Connector  
THIRD ANGLE PROJECTION  
 RHTAY04MA-XX-R-□-□