

Material

Housing:LCP UL94V-0

Terminal:Phosphor Bronze Tin-plated

Fitting Nial:Phosphor Bronze Tin-plated

Electrical

Voltage Rating: 50 V

Current Rating: 0.4 A

Withstanding Voltage:200 V

Insulation Resistance: 500MΩ.Min.

Contact Resistance: 20mΩ.Max.

Mechanical

Temp.Range:-25℃~+85℃

Order Information

RHTAY242E-2.0-XX-T-U-R

Series No. |

Height:2.0mm |

No.of pins |

(06~60 Pins)

T-SMT Pin |

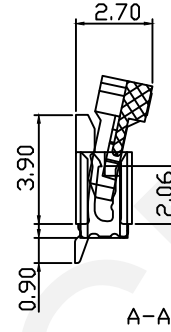
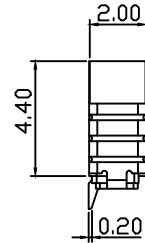
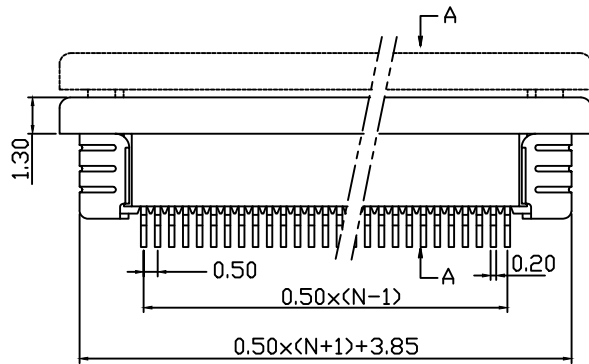
U-Upper Contact |

Pack: T-Tube R-Reel |

RHTECP NINGBO RHT ELECTRONIC CO.,LTD

UNITS:mm	SHEET SIZE: A4			SCALE:---	DRWN BY PAN
0~3	3~18	18~50	50~120	CHK'D BY FENG	
±0.12	±0.15	±0.3	±0.5	APPR BY ZHAN	

CONN FFC 0.50mm,SMD,
Horizontal, Upper Contact ,With ZIF
THIRD ANGLE PROJECTION
RHTAY242E-2.0-XX-T-U-R



Material

Housing:LCP UL94V-0

Terminal:Phosphor Bronze Tin-plated

Fitting Nial:Phosphor Bronze Tin-plated

Electrical

Voltage Rating: 50 V

Current Rating: 0.4 A

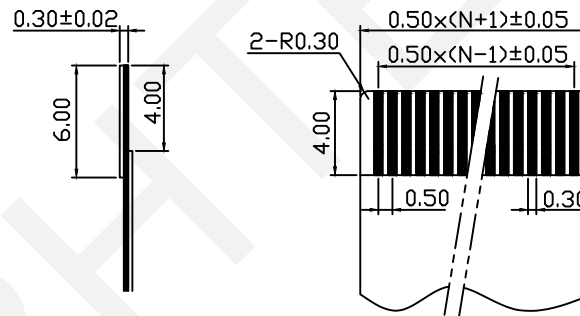
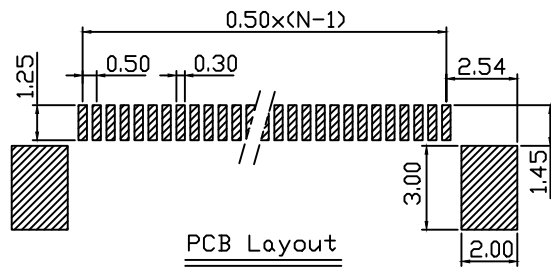
Withstanding Voltage:200 V

Insulation Resistance: 500MΩ.Min.

Contact Resistance: 20mΩ.Max.

Mechanical

Temp Range:-25℃~+85℃



Order Information

RHTAY242E-2.0-XX-T-L-R

Series No.└

Height:2.0mm└

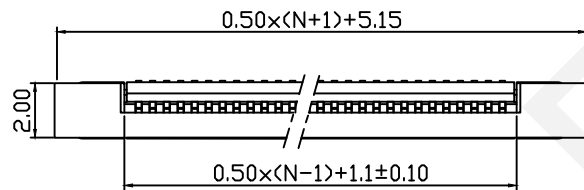
No.of pins└

(06~60 Pins)

T-SMT Pin└

L-Lower Contact└

Pack: T-Tube R-Reel└



UNITS:mm	SHEET SIZE: A4			SCALE:---	DRWN BY PAN
0~3	3~18	18~50	50~120	CHK'D BY FENG	
±0.12	±0.15	±0.3	±0.5	APPR BY ZHAN	

CONN FFC 0.50mm,SMD, Horizontal, Lower Contact ,With ZIF	
THIRD ANGLE PROJECTION 	RHTAY242E-2.0-XX-T-L-R