



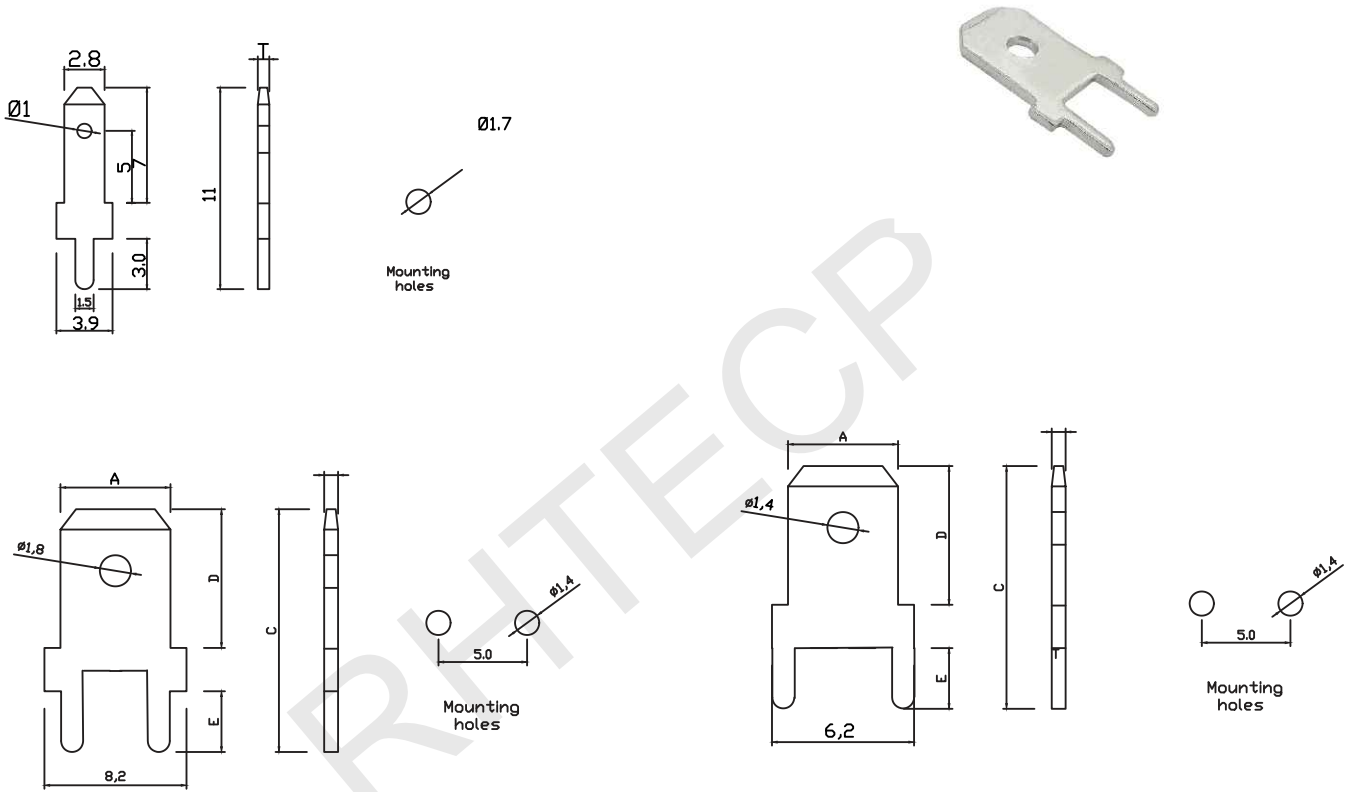
NINGBO RHT ELECTRONIC CO.,LTD

QUARTZ CRYSTAL RESONATOR

PARAMETERS

RHTBY1128

Terminal Material: Brass



Model No.	A	T	C	D	E	packing
PC-110	2.8	0.5	11	7	3	1000
PC-187	4.8	0.5	14	7	5	
		0.8				
PC-250	6.35	0.8	13.5	8	3.65	

