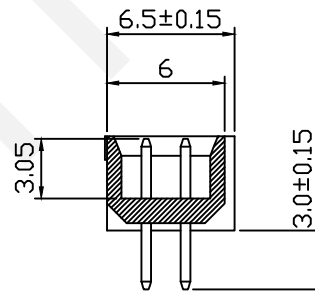
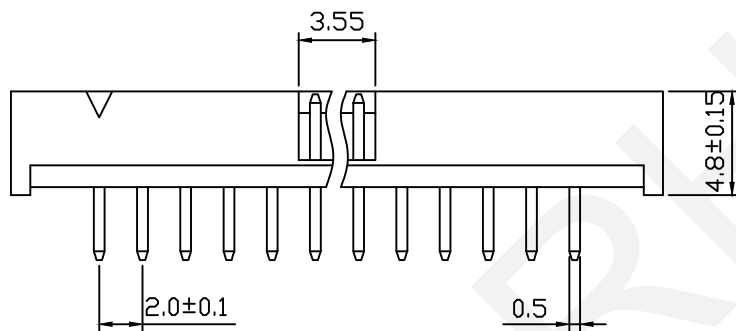


Recommended P.C.B Layout(Top Side)
(PCB BOARD TOLERANCE±0.05)



Material:
Housing: LCP,UL94V-0
Contact: Brass
Plating: Au Or Sn Over Ni

Electrical Characteristics:
Rated Current: 2.0AMP
Contact Resistance: 20MΩ Max
Withstand Voltage: 500V AC/DC
Insulator Resistance: 1000MΩ Min

Mechanical
Operating Temperature:-40°C~+105°C
Max.Processing Temp:230°C For 30-60
Seconds (260°C For 10 Seconds)

Order Information:

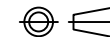
RHTAY02J-XX-S-B-C
Box Header Series
02J: 2.00mm Pitch
XX-No.of 06~64 pins
Type:S-Straight pin
R-Right Angle Pin T-SMT
Color:B-Black G-Gray
Material:NDNE=PA6T C=LCP

NINGBO RHT ELECTRONIC CO.,LTD

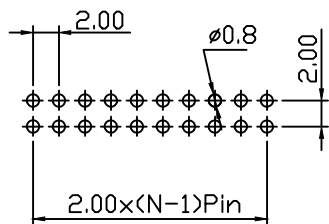
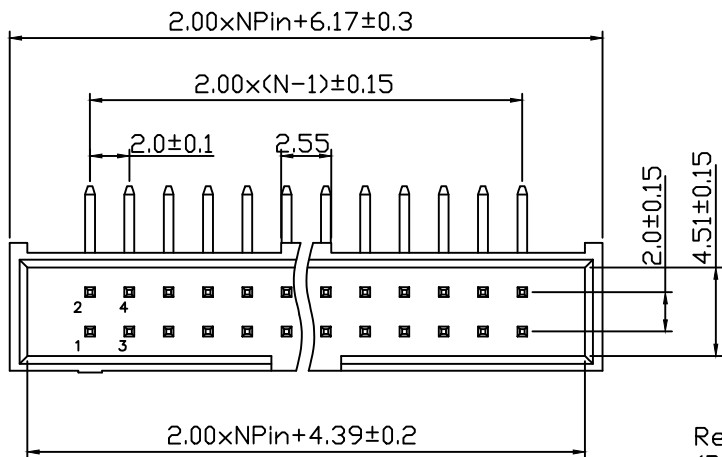
UNITS:mm	SHEET SIZE: A4			SCALE:---	DRWN BY PAN
0~3	3~18	18~50	50~120	CHK'D BY FENG	
±0.12	±0.15	±0.3	±0.5	APPR BY ZHAN	

2.00mm Pitch Box Header Connector

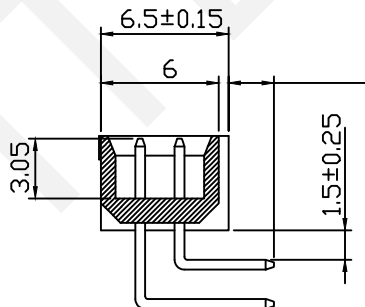
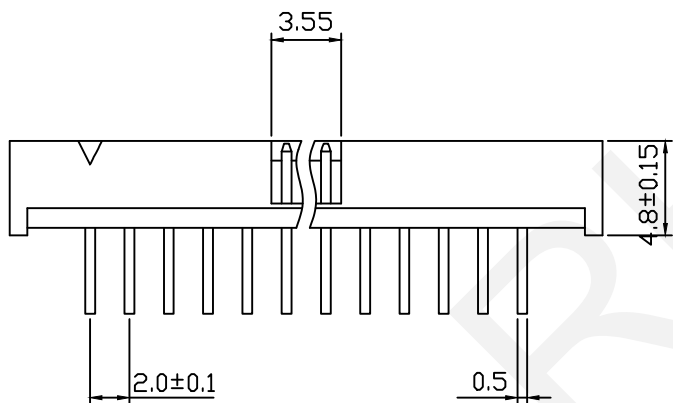
THIRD ANGLE PROJECTION



RHTAY02J-XX-S-B-C



Recommended P.C.B Layout(Top Side)
(PCB BOARD TOLERANCE±0.05)



Material:

Housing: LCP,UL94V-0

Contact: Brass

Plating: Au Or Sn Over Ni

Electrical Characteristics:

Rated Current: 2.0AMP

Contact Resistance: 20MΩ Max

Withstand Voltage: 500V AC/DC

Insulator Resistance: 1000MΩ Min

Mechanical

Operating Temperature:-40°C~+105°C

Max.Processing Temp:230°C For 30-60

Seconds (260°C For 10 Seconds)

Order Information:

RHTAY02J-XX-R-B-C

Box Header Series

02J: 2.00mm Pitch

XX-No.of 06~64 pins

Type:S-Straight pin

R-Right Angle Pin T-SMT

Color:B-Black G-Gray

Material:NONE=PA6T C=LCP

RHTECP NINGBO RHT ELECTRONIC CO.,LTD

UNITS:mm

SHEET SIZE: A4

SCALE:---

DRWN BY PAN

2.00mm Pitch Box Header Connector

0~3

3~18

18~50

50~120

CHK'D BY FENG

THIRD ANGLE PROJECTION

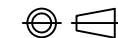
±0.12

±0.15

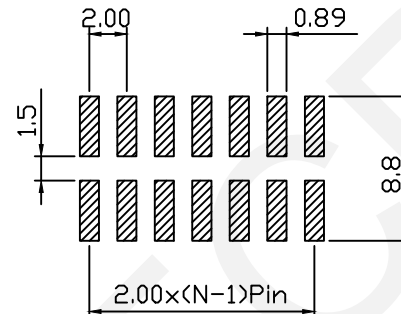
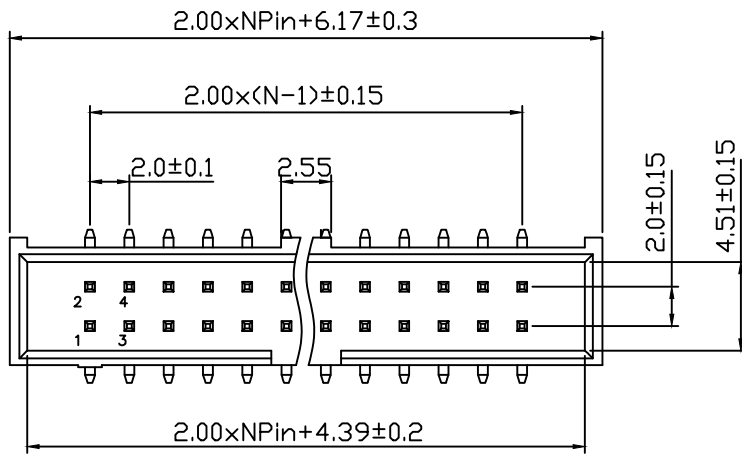
±0.3

±0.5

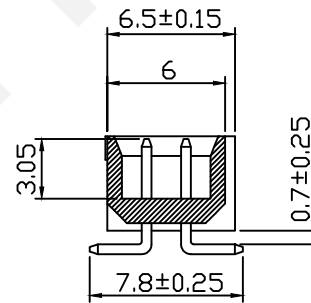
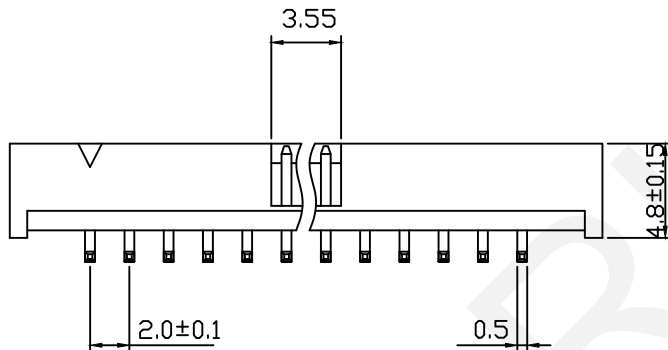
APPR BY ZHAN



RHTAY02J-XX-R-B-C



Recommended P.C.B Layout(Top Side)
(PCB BOARD TOLERANCE±0.05)



Material:
Housing: LCP,UL94V-0
Contact: Brass
Plating: Au Or Sn Over Ni

Electrical Characteristics:
Rated Current: 2.0AMP
Contact Resistance: 20MΩ Max
Withstand Voltage: 500V AC/DC
Insulator Resistance: 1000MΩ Min

Mechanical
Operating Temperature:-40°C~+105°C
Max.Processing Temp:230°C For 30-60
Seconds (260°C For 10 Seconds)

Order Information:

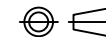
RHTAY02J-XX-T-B-C
Box Header Series
02J: 2.00mm Pitch
XX-No.of 06~64 pins
Type:S-Straight pin
R-Right Angle Pin T-SMT
Color:B-Black G-Gray
Material:NONE=PA6T C=LCP

RHTECP NINGBO RHT ELECTRONIC CO.,LTD

UNITS:mm	SHEET SIZE: A4	SCALE:---	DRWN BY PAN
0~3	3~18	18~50	50~120
±0.12	±0.15	±0.3	±0.5
			CHK'D BY FENG
			APPR BY ZHAN

2.00mm Pitch Box Header Connector

THIRD ANGLE PROJECTION



RHTAY02J-XX-T-B-C