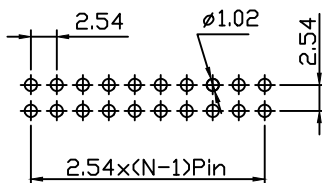
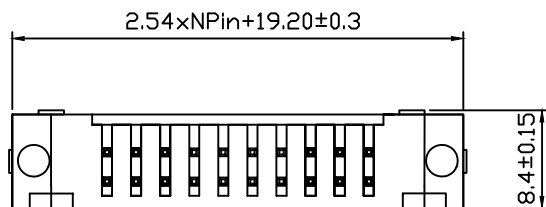
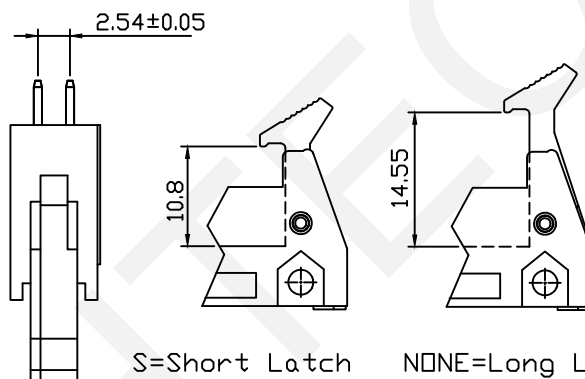
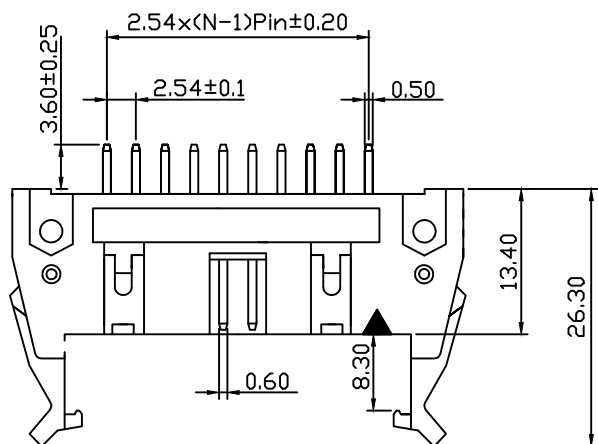


RoHS Compliance

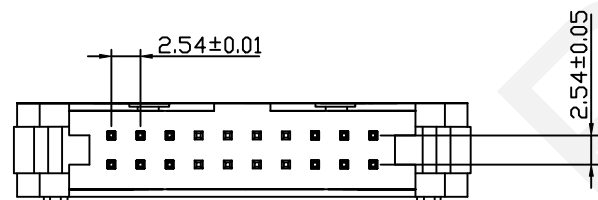


Recommended P.C.B Layout(Top Side)  
(PCB BOARD TOLERANCE±0.05)



S=Short Latch

NONE=Long Latch



Material:  
Housing: PBT, UL94V-0  
Contact: Brass  
Plating: Gold Plated 0.8u"

Electrical Characteristics:  
Rated Current: 3.0AMP  
Contact Resistance: 20MΩ Max  
Withstand Voltage: 1000V AC/DC  
Insulator Resistance: 1000MΩ Min

Mechanical  
Operating Temperature: -40°C~+105°C  
Max.Processing Temp: 180°C For 30-60  
Seconds (200°C For 10 Seconds)

Order Information:

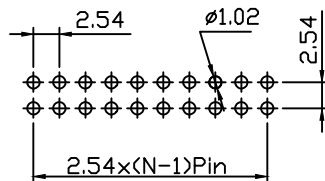
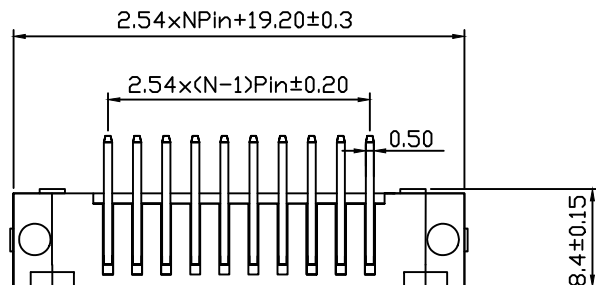
RHTAY01X - XX-S-B-□-□  
Box Header Series  
01X: 2.54mm Pitch  
XX-No.of 06~64 Pin  
Type:S-Straight Pin  
R-Right Angle Pin  
Color:B-Black G-Gray  
Latch Type:NONE=Long Latch  
S=Short Latch  
Material:NONE=PBT B=PA6T

**RHTECP** NINGBO RHT ELECTRONIC CO.,LTD

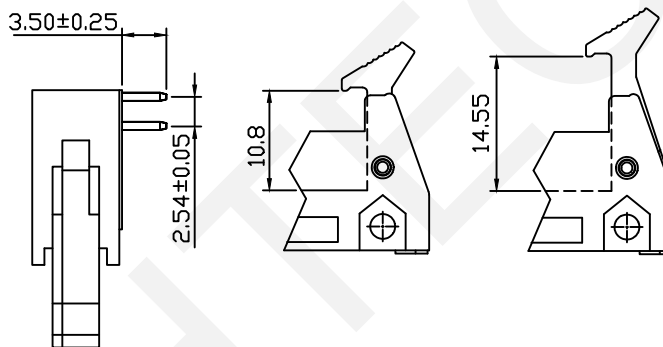
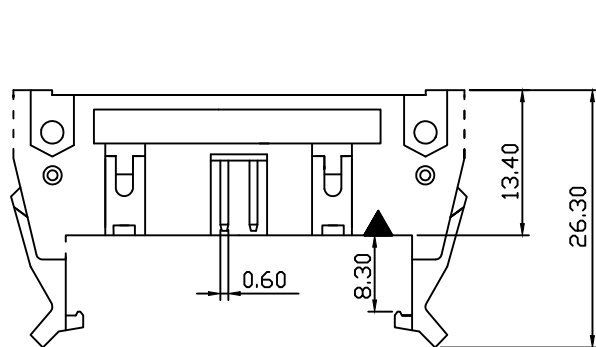
UNITS:mm	SHEET SIZE: A4			SCALE:---	DRWN BY PAN
0~3	3~18	18~50	50~120	CHK'D BY FENG	
±0.12	±0.15	±0.3	±0.5	APPR BY ZHAN	

2.54mm Pitch  
Box Header Connector With Latch  
THIRD ANGLE PROJECTION  
 RHTAY01X-XX-S-B-□-□

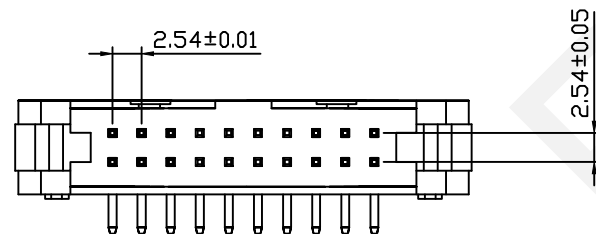
RoHS Compliance



Recommended P.C.B Layout(Top Side)  
(PCB BOARD TOLERANCE±0.05)



S=Short Latch NONE=Long Latch



Material:  
Housing: PBT, UL94V-0  
Contact: Brass  
Plating: Gold Plated 0.8u"

Electrical Characteristics:  
Rated Current: 3.0AMP  
Contact Resistance: 20MΩ Max  
Withstand Voltage: 1000V AC/DC  
Insulator Resistance: 1000MΩ Min

Mechanical  
Operating Temperature: -40°C~+105°C  
Max.Processing Temp: 180°C For 30-60  
Seconds (200°C For 10 Seconds)

Order Information:  
RHTAY01X - XX-R-B-□-□  
Box Header Series  
01X: 2.54mm Pitch  
XX-No.of 06~64 Pin  
Type:S-Straight Pin  
R-Right Angle Pin  
Color:B-Black G-Gray  
Latch Type:NONE=Long Latch  
S=Short Latch  
Material:NONE=PBT B=PA6T

**RHTECP** NINGBO RHT ELECTRONIC CO.,LTD

UNITS:mm	SHEET SIZE: A4			SCALE:---	DRWN BY PAN
0~3	3~18	18~50	50~120	CHK'D BY FENG	
±0.12	±0.15	±0.3	±0.5	APPR BY ZHAN	

2.54mm Pitch  
Box Header Connector With Latch  
THIRD ANGLE PROJECTION  
RHTAY01X-XX-R-B-□-□