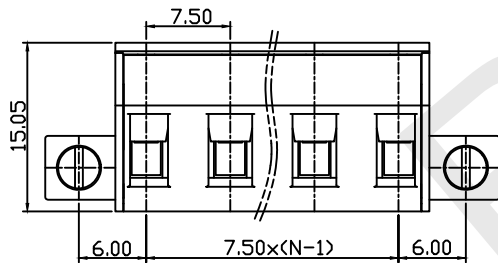


SECTION A-A



Material
 Housing:PA66,UL94V-0
 Screws:M3 Steel,Zn plated
 Cage:Brass,Ni plated
 Fixing Screws:M2.5 Steel,Zn plated
 Clamp:Phosphor bronze, Ni Plated

Electrical
 Rated voltage:300V
 Rated current:15A
 Contact Resistance:20mΩ
 Insulation resistance:500MΩ/DC500V
 Withstand voltage:AC2000V/1min
 Wire Range:28~14AWG 15mm²

Mechanical
 Temp.Range:-40℃~+105℃
 Strip length:7~8mm
 Torque:0.5Nm(4.5bin)

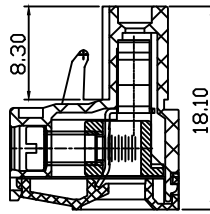
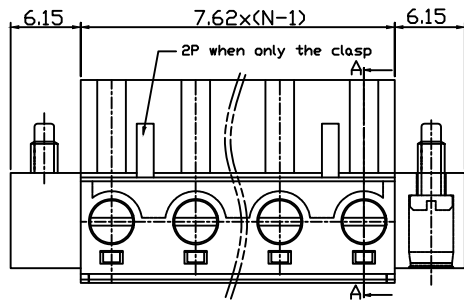
Order Information

RHTBYDCKM-7.50-XXP-4 S 00
 Terminal Block
 Pitch
 No. of Pole
 Color: 4-Green
 Screw: S-Slot Screw C-Cross Screw
 Product Code: 00~99

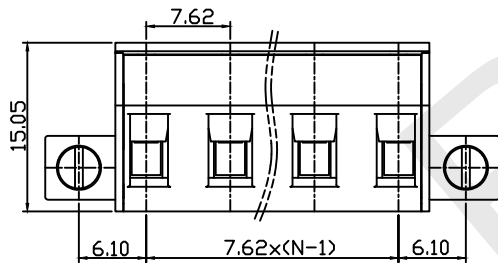
RHTECP NINGBO RHT ELECTRONIC CO.,LTD

UNITS:mm	SHEET SIZE: A4		SCALE:---		DRWN BY PAN
0~3	3~18	18~50	50~120		CHK'D BY FENG
±0.12	±0.15	±0.3	±0.5		APPR BY ZHAN

Plug-in TERM BLOCK 7.50MM
 THIRD ANGLE PROJECTION
 RHTBYDCKM-7.50-XXP-4S-00



SECTION A-A



Material
 Housing:PA66,UL94V-0
 Screws:M3 Steel,Zn plated
 Wire guard:Brass,Ni plated
 Fixing Screws:M2.5 Steel,Zn plated
 Clamp:Phosphor bronze, Ni Plated

Electrical
 Rated voltage:300V
 Rated current:15A
 Contact Resistance:20mΩ
 Insulation resistance:500MΩ/DC500V
 Withstand voltage:AC2000V/1min
 Wire Range:28~14AWG 15mm²

Mechanical
 Temp.Range:-40℃~+105℃
 Strip length:7~8mm
 Torque:0.5Nm(4.5bin)

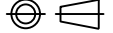
Order Information

RHTBYDCKM-7.62-XXP-4 S 00

Terminal Block
 Pitch
 No. of Pole
 Color: 4-Green
 Screw: S-Slot Screw C-Cross Screw
 Product Code: 00~99

RHTECP NINGBO RHT ELECTRONIC CO.,LTD

UNITS:mm	SHEET SIZE: A4			SCALE:---	DRWN BY PAN
0~3	3~18	18~50	50~120	CHK'D BY FENG	
±0.12	±0.15	±0.3	±0.5	APPR BY ZHAN	

Plug-in TERM BLOCK 7.62MM
 THIRD ANGLE PROJECTION

 RHTBYDCKM-7.62-XXP-4S-00