

Material

Housing: PA66, UL94V-0

Clamp: Phosphor Bronze, Tin plated

Shrapnel: Stainless steel

Electrical

Rated voltage: 300V

Rated current: 8A

Contact Resistance: 20mΩ

Insulation resistance: 500MΩ/DC500V

Withstand voltage: AC2000V/1min

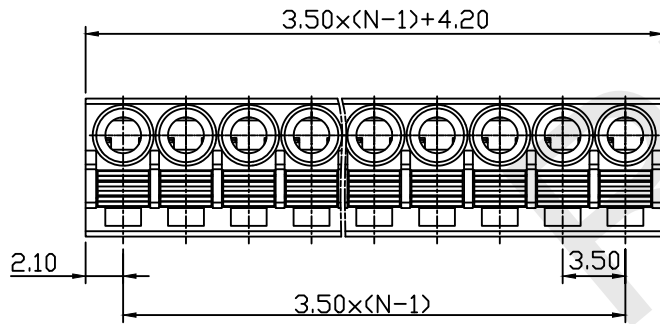
Wire Range: 24~16AWG 1.0mm²

Mechanical

Temp. Range: -40°C~+105°C

Strip length 9-10mm

Order Information



RHTBYMC -3.50-XXP-4 00

Terminal Block —

Pitch —

No. of Pole —

Color: 4-Green —

Product Code: 00~99 —



NINGBO RHT ELECTRONIC CO.,LTD

UNITS:mm	SHEET SIZE: A4			SCALE: ---	DRWN BY PAN
0~3	3~18	18~50	50~120	CHK'D BY FENG	THIRD ANGLE PROJECTION
±0.12	±0.15	±0.3	±0.5	APPR BY ZHAN	

Plyggable Terminal Block 3.5MM

RHTBYMC-3.50-XXP-4-00