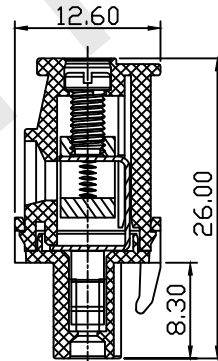
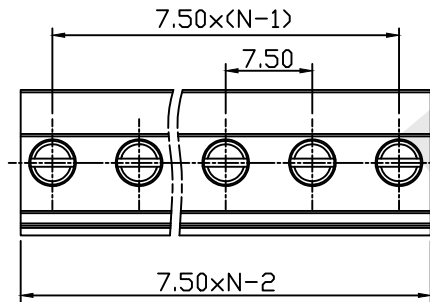


The two line without the feet

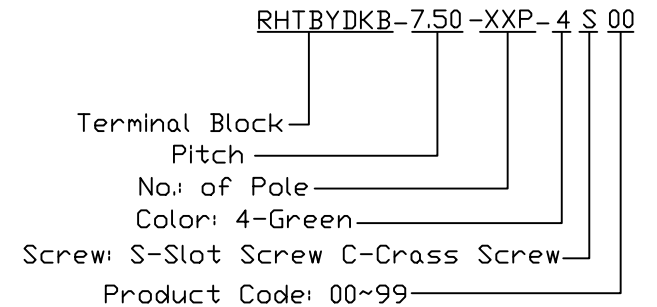


Material
 Housing: PA66, UL94V-0
 Cage: Brass, Ni plated
 Screws: M3.0, Steel, Zn plated
 Clamp: Phosphor bronze, Ni plated

Electrical
 Rated voltage: 300V
 Rated current: 15A
 Contact Resistance: 20 mΩ
 Insulation resistance: 500MΩ/DC500V
 Withstand voltage: AC2000V/1min
 Wire Range: 28~14AWG 15mm²

Mechanical
 Temp. Range: -40°C~+ 105°C
 Strip length: 7~8mm
 Torque: 0.5Nm(4.5Lbin)

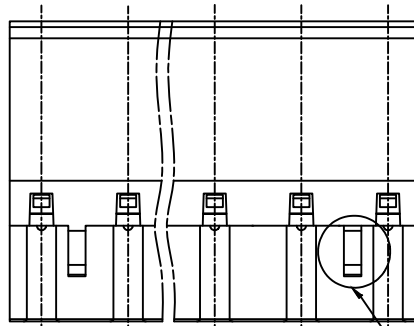
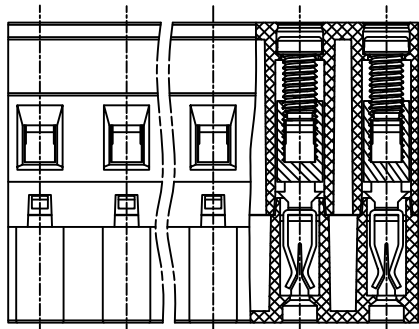
Order Information



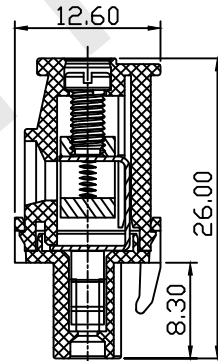
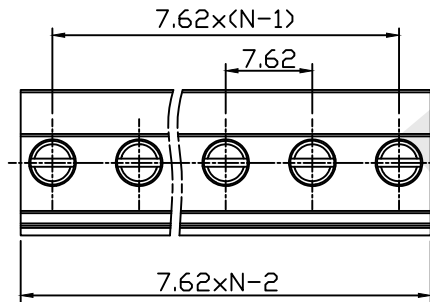
NINGBO RHT ELECTRONIC CO.,LTD

UNITS:mm	SHEET SIZE: A4			SCALE:---	DRWN BY PAN
0~3	3~18	18~50	50~120	CHK'D BY FENG	
±0.12	±0.15	±0.3	±0.5	APPR BY ZHAN	

Pluggable Terminal Block 7.50MM	
THIRD ANGLE PROJECTION 	RHTBYDKM -7.50-XXP-4S-00



The two line without the feet



Material

Housing:PA66, UL94V-0

Cage:Brass,Ni plated

Screws:M3.0, Steel,Zn plated

Clamp:Phosphor bronze, Ni plated

Electrical

Rated voltage:300V

Rated current:15A

Contact Resistance:20 mΩ

Insulation resistance:500MΩ/DC500V

Withstand voltage:AC2000V/1min

Wire Range:28~14AWG 15mm²

Mechanical

Temp. Range:-40°C~+ 105°C

Strip length:7~8mm

Torque:0.5Nm(4.5Lbin)

Order Information

RHTBYDKB-7.62-XXP-4 S 00

Terminal Block

Pitch

No. of Pole

Color: 4-Green

Screw: S-Slot Screw C-Cross Screw

Product Code: 00~99

 NINGBO RHT ELECTRONIC CO.,LTD

UNITS:mm

SHEET SIZE: A4

SCALE:---

DRWN BY PAN

Pluggable Terminal Block 7.62MM

0~3

3~18

18~50

50~120

CHK'D BY FENG

THIRD ANGLE PROJECTION

RHTBYDKM -7.62-XXP-4S-00

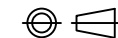
±0.12

±0.15

±0.3

±0.5

APPR BY ZHAN



1

2

3

4

5

6

7

8

9