

Material

Housing:PA66, UL94V-0

Pin header:Brass, Tin plated

Nut:M2.5,Brass

Electrical

Rated voltage:300V

Rated current:8A

Contact Resistance:20mΩ

Insulation resistance: 500MΩ/DC500V

Withstand voltage:AC2000V/1min

Mechanical

Temp. Range:-40℃~+105℃

Order Information

RHTBYDBRM-3.50-XXP-4 S 00

Terminal Block

Pitch

No. of Pole

Color:4-Green

Screw:S-Slot Screw C-Cross Screw

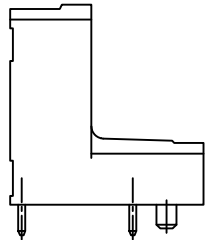
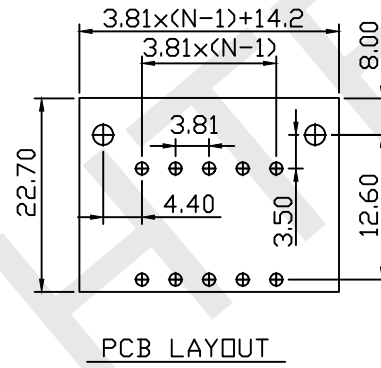
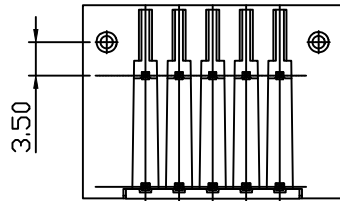
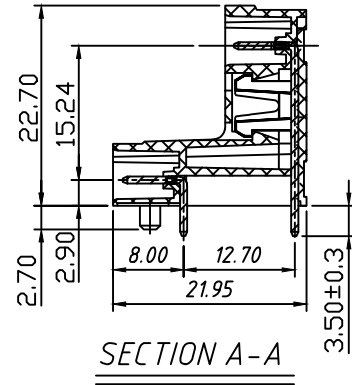
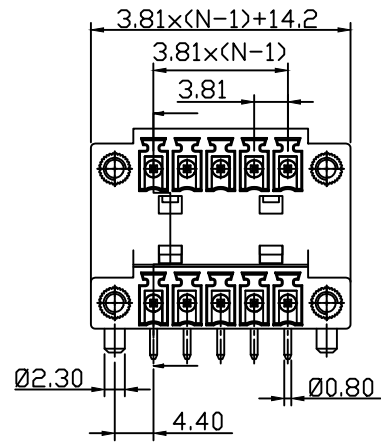
Product Code: 00~99

RHTECP NINGBO RHT ELECTRONIC CO.,LTD

UNITS:mm	SHEET SIZE: A4				SCALE:---	DRWN BY PAN
0~3	3~18	18~50	50~120	CHK'D BY FENG	THIRD ANGLE PROJECTION	
±0.12	±0.15	±0.3	±0.5	APPR BY ZHAN		

Pluggable Terminal Block3.50MM

RHTBYDBRM-3.50-XXP-4S-00



Material

Housing:PA66, UL94V-0

Pin header:Brass, Tin plated

Nut:M2.5,Brass

Electrical

Rated voltage:300V

Rated current:8A

Contact Resistance:20mΩ

Insulation resistance: 500MΩ/DC500V

Withstand voltage:AC2000V/1min

Mechanical

Temp. Range:-40℃~+105℃

Order Information

RHTBYDBRM-3.81-XXP-4 S 00

Terminal Block

Pitch

No. of Pole

Color:4-Green

Screw:S-Slot Screw C-Cross Screw

Product Code: 00~99

RHTECP NINGBO RHT ELECTRONIC CO.,LTD

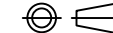
UNITS:mm SHEET SIZE: A4 SCALE:--- DRWN BY PAN

0~3 3~18 18~50 50~120 CHK'D BY FENG

±0.12 ±0.15 ±0.3 ±0.5 APPR BY ZHAN

Pluggable Terminal Block3.81MM

THIRD ANGLE PROJECTION



RHTBYDBRM-3.50-XXP-4S-00