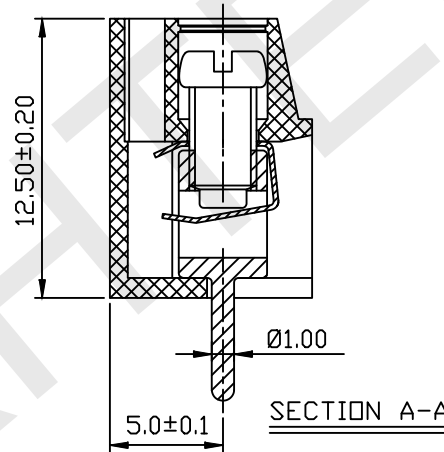
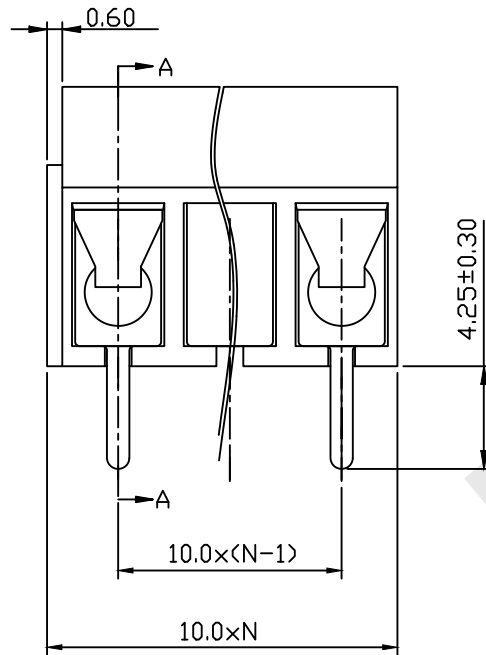


PCB LAYOUT



SECTION A-A

Material

Screw: M3.0, Steel,Zn plated  
 Cage: Phosphor Bronze ,Nickel plated  
 Pin header: Brass , Tin plated  
 Housing: PA66, UL94V-0,Blue

Electrical

Rated voltage:250V  
 Rated current: 16A  
 Wire range:22~14AWG 1.5mm<sup>2</sup>  
 Contact Resistance: 20 mΩ  
 Insulation resistance: 500MΩ/DC500V  
 Withstand voltage: AC2000V/1min

Mechanical

Temp.Range: -30℃~+105℃  
 Soldering: 250℃ 5Sec. Max  
 Torque: 0.5 N.m (4.43Lb. in)  
 Strip length: 4.5~5mm

Order Information

RHTBY00-10.0-XXP-2SC-XX  
 Terminal Block \_\_\_\_\_  
 Pitch \_\_\_\_\_  
 No. of Pole \_\_\_\_\_  
 Color:2-Blue 4-Green \_\_\_\_\_  
 SC= Slot/Cross \_\_\_\_\_  
 Code:Product Code: 00~99 \_\_\_\_\_

**RHTECP** NINGBO RHT ELECTRONIC CO.,LTD

UNITS:mm	SHEET SIZE: A4			SCALE:---	DRWN BY PAN
0~3	3~18	18~50	50~120	CHK'D BY FENG	
±0.12	±0.15	±0.3	±0.5	APPR BY ZHAN	

Screw Conn Term Block 10.0mm	
THIRD ANGLE PROJECTION	RHTBY00-10.0-XXP-2SC