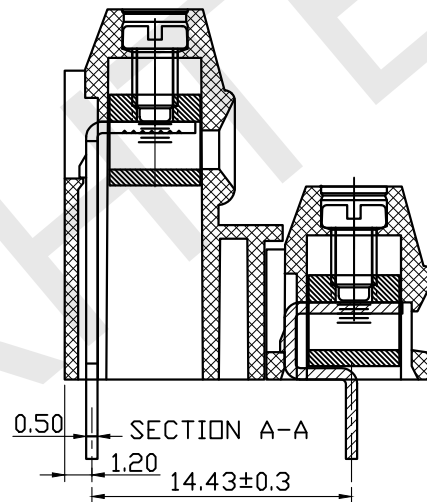
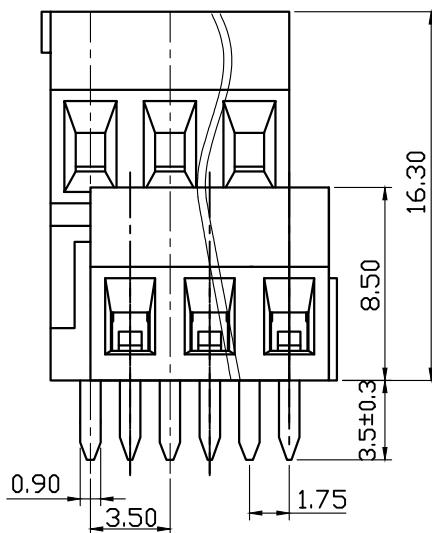


PCB LAYOUT



Material  
 Housing: PA66,UL94V-0  
 Clamp: Brass, Ni plated  
 Pin Header: Brass, Tin plated  
 Screw: M2 steel Zinc plated

Electrical  
 Rated voltage: 300V  
 Rated current: 15A  
 Contact Resistance: 20mΩ  
 Insulation resistance: 500MΩ/DC500V  
 Withstand voltage: AC2000V/1min  
 Wire Range: 30~14AWG 1.0mm<sup>2</sup>

Mechanical  
 Temp.Range: -40°C~+105°C  
 Strip length: 5~6mm  
 Torque: 0.2Nm(1.75Lb.in)

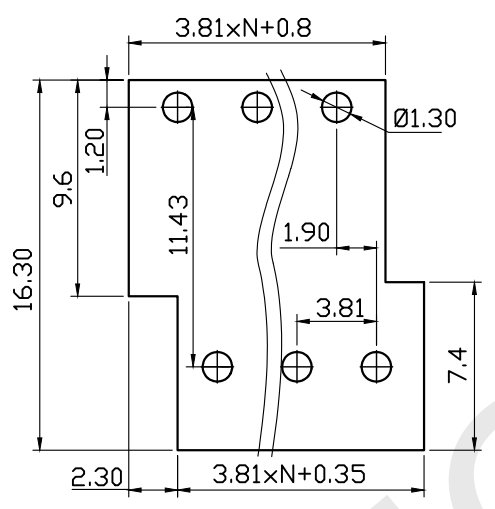
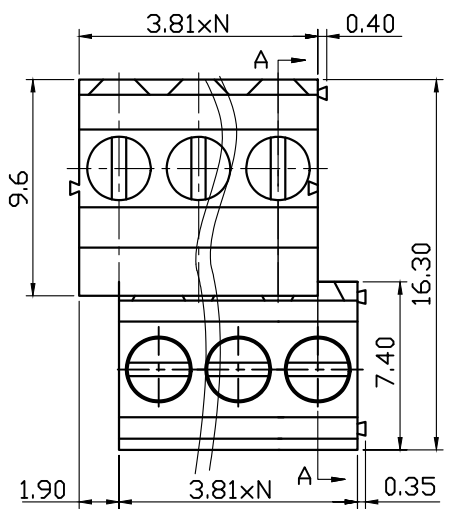
Order Information

RHTBY25A -3.50-XXP-4 S 00  
 Terminal Block  
 Pitch  
 No: of Pole  
 Color: 4-Green  
 Screw: S-Slot Screw  
 Product Code: 00~99

**RHTECP** NINGBO RHT ELECTRONIC CO.,LTD

UNITS:mm	SHEET SIZE: A4			SCALE:---	DRWN BY PAN
0~3	3~18	18~50	50~120	CHK'D BY FENG	
±0.12	±0.15	±0.3	±0.5	APPR BY ZHAN	

Screw Conn Term Block 3.50mm  
 THIRD ANGLE PROJECTION  
 RHYBY25A-5.00-XXP-4S



PCB LAYOUT

Material  
 Housing: PA66,UL94V-0  
 Clamp: Brass, Ni plated  
 Pin Header: Brass, Tin plated  
 Screw: M2 steel Zinc plated

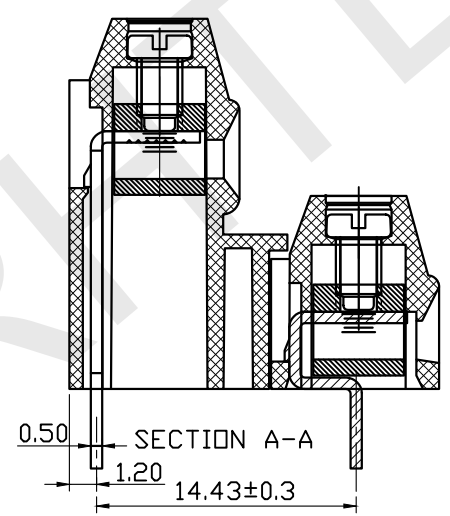
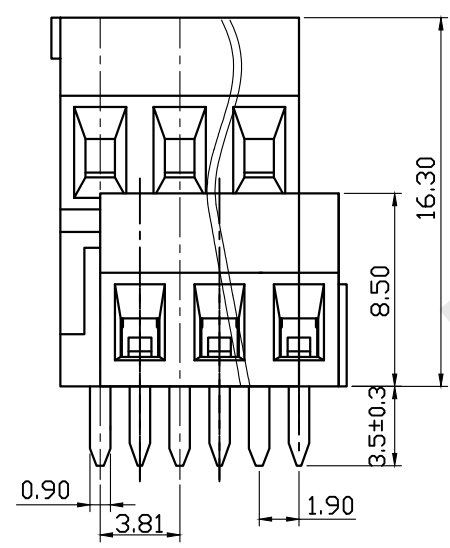
Electrical  
 Rated voltage: 300V  
 Rated current: 15A  
 Contact Resistance: 20mΩ  
 Insulation resistance: 500MΩ/DC500V  
 Withstand voltage: AC2000V/1min  
 Wire Range: 30~14AWG 1.0mm<sup>2</sup>

Mechanical  
 Temp.Range: -40℃~+105℃  
 Strip length: 5~6mm  
 Torque: 0.2Nm(1.75Lb.in)

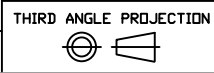
Order Information

RHTBY25A -3.81-XXP-4 S 00

Terminal Block  
 Pitch  
 No: of Pole  
 Color: 4-Green  
 Screw: S-Slot Screw  
 Product Code: 00~99



UNITS:mm	SHEET SIZE: A4				SCALE:---	DRWN BY PAN
0~3	3~18	18~50	50~120	CHK'D BY FENG	Screw Conn Term Block 3.81mm	
±0.12	±0.15	±0.3	±0.5	APPR BY ZHAN	THIRD ANGLE PROJECTION	RHYBY25A-3.81-XXP-4S



NINGBO RHT ELECTRONIC CO.,LTD

G

G