

Material:

Insulator:PBT UL94V-0,Black/White.

Contacts:Brass C2680.

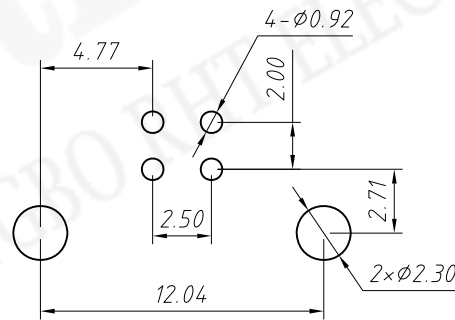
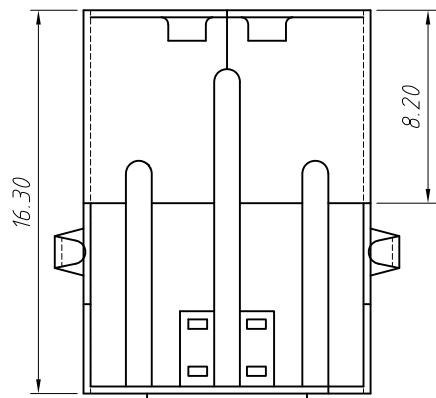
Shell:C2680/SPCC.

Finish:

Contact:Contact area gold plated 1U ";

Bright tin plating 40u" Min in welding area.

Shell:Nickel plating 40u" Min.



RECOMMENDED PCB LAYOUT

Electrical:

Contact Resistance:30mΩ Max.

Insulation Resistance:1000MΩ Min.

Dielectric Withstanding Voltage:500 V AC at per minute.

Order Information

RE - C - 151 - B

Color:W=White B=Black

USB 2.0