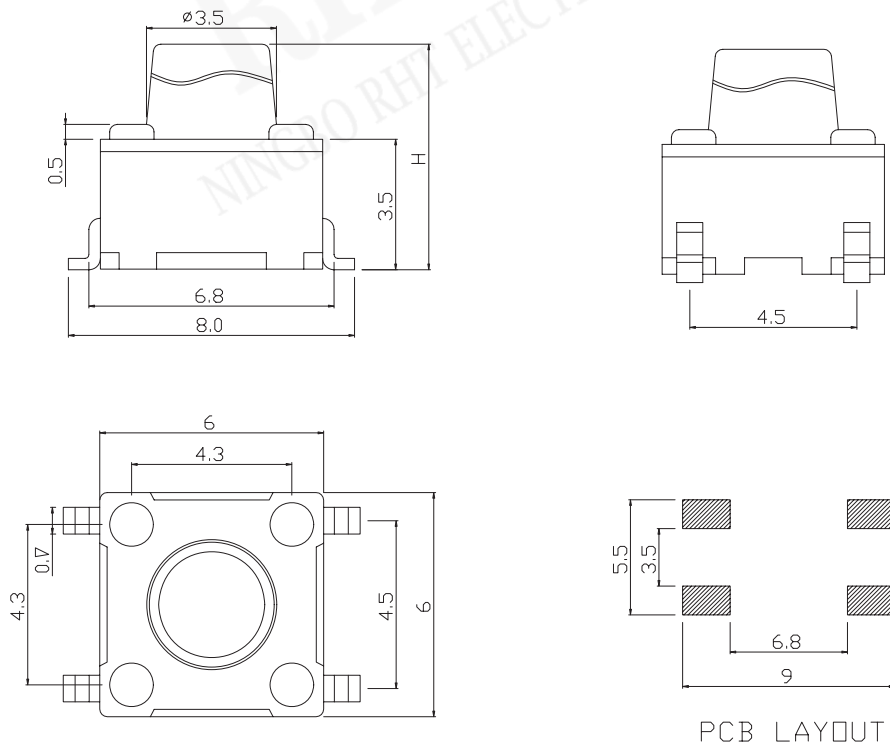


ELECTRICAL

1. Rating: 50mA 12VDC
2. Contact Resistance : 50mΩ max(initial)
3. Insulation Resistance: 100MΩ(minDC 250V)
4. Dielectric Strength : AC250V(50/60Hz for 1minute)
5. Electrically Life: 100000cycles
6. Environment temperature:-20°C~+70°C
7. Operating Force: 180/250(±30gf)
8. Seal temperature:260°C~ 280°C

H
4.3
5.0
6.0
7.0
9.5
12.5

Dimension (unit: mm)



ORDER INFORMATION

RE-S-TS6604-12.5-160-T

Series No.
 Hight: 4.3mm/5.0mm/6.0mm/
 7.0mm/8.0mm/12.5mm

Packing: B=Bulk T=Tape
 Operating Force :180~250gf

RHTECP NINGBO RHT ELECTRONIC CO.,LTD

UNITS:MM	SHEET SIZE:A4	SCALE:---	
□0~3	□3~18	□18~50	□50~120
±0.12	±0.15	±0.3	±0.5

RE-S-TS6604-12.5-160-T

SWITCH