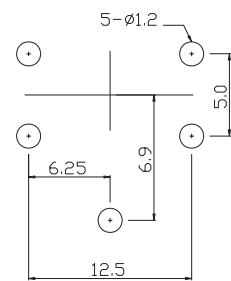
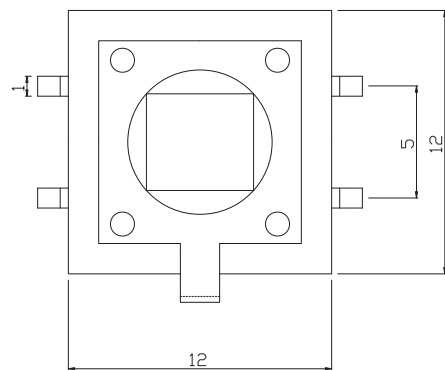


## Tact Switch Series

### RE-S-TS1205 12x12 Tact Switch Series

#### ELECTRICAL

1. Rating: 50mA 12VDC
2. Contact Resistance : 50m $\Omega$  ax(initial)
3. Insulation Resistance: 100M $\Omega$ (minDC 250V)
4. Dielectric Strength : AC250V(50/60Hz for 1minute)
5. Electrically Life: 100000cycles
6. Environment temperature:-20°C~+70°C
7. Operating Force: 180/250( $\pm$ 30gf)
8. Seal temperature:260°C~ 280°C



## ORDER INFORMATION

RE-S-TS1205 - H1 - 180

Part Number

Operating Force :180~250gf

Hight: H1=7.3mm

**RHTECP** NINGBO RHT ELECTRONIC CO.,LTD

UNITS:MM

SHEET SIZE:A4

SCALE:---

RE-S-TS1205-7.3-250

□0~3

□3~18

□18~50

□50~120

$\pm 0.12$

$\pm 0.15$

$\pm 0.3$

$\pm 0.5$

SWITCH