

Circuit	Dimensions(mm)		
	A	B	C
02	2.50	5.7	7.3
03	5.00	8.2	9.8
04	7.50	10.7	12.3
05	10.00	13.2	14.8
06	12.50	15.7	17.3
07	15.00	18.2	19.8
08	17.50	20.7	22.3
09	20.00	23.2	24.8
10	22.50	25.7	27.3
11	25.00	28.2	29.8
12	27.50	30.7	32.3
13	30.00	33.2	34.8
14	32.50	35.7	37.3
15	35.00	38.2	39.8
16	37.50	40.7	42.3
17	40.00	43.2	44.8
18	42.50	45.7	47.3
19	45.00	48.2	49.8
20	47.50	50.7	52.3

Electrical Characteristics:

- 1.Poles: 2 to 20P
- 2.Current rating: 3.0A
- 3.Voltage rating: 250V
- 4.Temperature range: -25°C to +85°C
- 5.Contact resistance: $\leq 10m\Omega$
- 6.Insulation resistance: $\geq 1000M\Omega$
- 7.Withstand voltage: 1000V AC/minute
- 8.Applicable wire: AWG #30 to #22
- 9.Applicable PC board thickness: 1.6mm

Material:

Housing:PA66(UL 94V-0),White

Order Information

RE-C-2.50-XX-H

Type:H=Housing

PIN Number: 02~20Pin

Pitch: 2.50=2.50mm

Series No.



NINGBO RHT ELECTRONIC CO.,LTD

UNITS:mm

SHEET SIZE:A4

SCALE:---

RE-C-2.50-XX-H

>0~3

>3~18

>18~50

>50~120

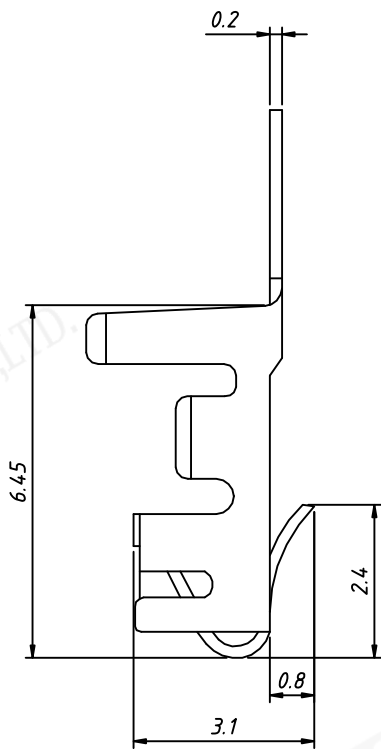
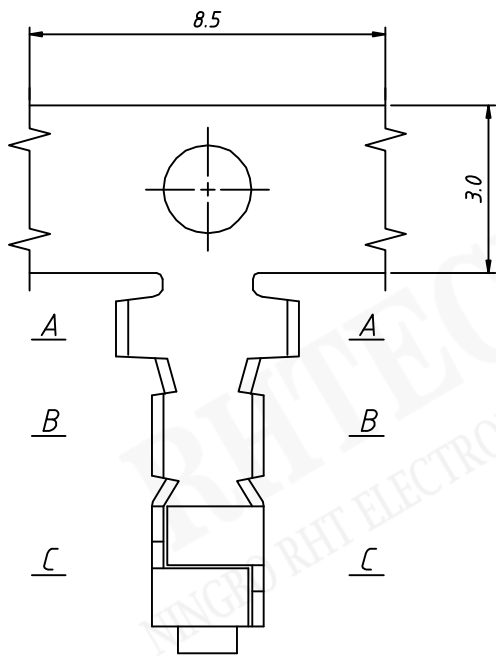
± 0.12

± 0.15

± 0.3

± 0.5

CONNECTORS



Material:

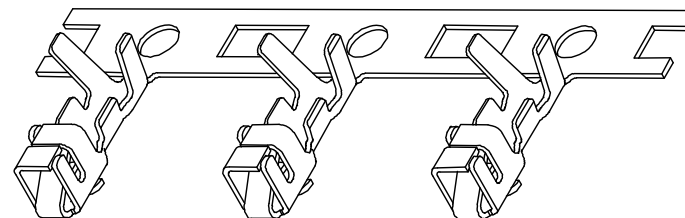
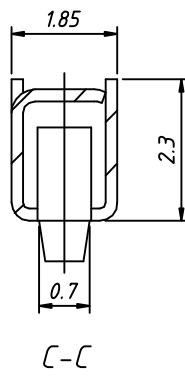
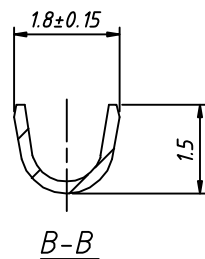
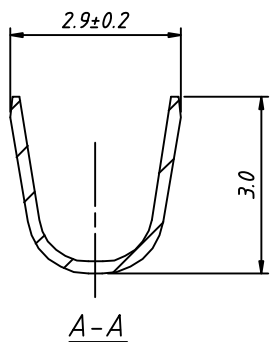
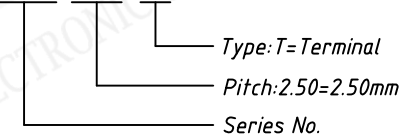
Terminal: Phos Bronze, Tin plating, 6000PCB/Roll

Electrical Characteristics:

1. Poles: 2 to 20P
2. Current rating: 3.0A
3. Voltage rating: 250V
4. Temperature range: -25°C to +85°C
5. Contact resistance: $\leq 10m\Omega$
6. Insulation resistance: $\geq 1000M\Omega$
7. Withstand voltage: 1000V AC/minute
8. Applicable wire: AWG #30 to #22
9. Applicable PC board thickness: 1.6mm

Order Information

RE-C-2.50-T



RHTECP NINGBO RHT ELECTRONIC CO.,LTD

UNITS:mm

SHEET SIZE:A4

SCALE:---

RE-C-2.50-T

>0~3

>3~18

>18~50

>50~120

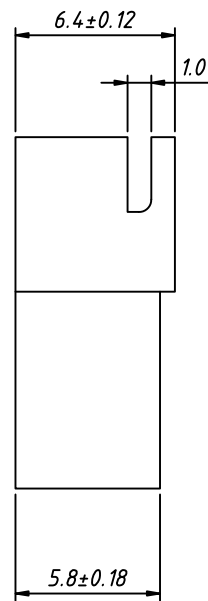
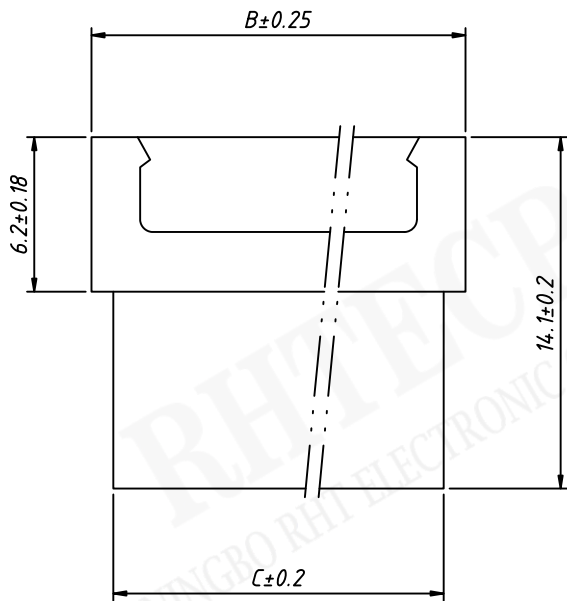
±0.12

±0.15

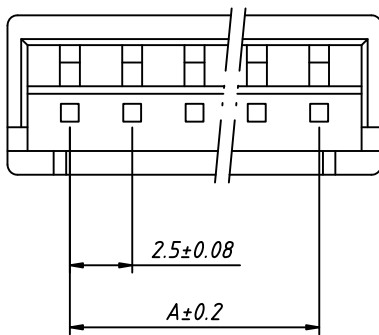
±0.3

±0.5

CONNECTORS



Circuit	Dimensions(mm)		
	A	B	C
02	2.50	7.5	5.8
03	5.00	10.0	8.3
04	7.50	12.5	10.8
05	10.00	15.0	13.3
06	12.50	17.5	15.8
07	15.00	20.0	18.3
08	17.50	22.5	20.8
09	20.00	25.0	23.3
10	22.50	27.5	25.8
11	25.00	30.0	28.3
12	27.50	32.5	30.8
13	30.00	35.0	33.3
14	32.50	37.5	35.8
15	35.00	40.0	38.3



Material:
Housing:PA66,UL 94 V-0(2),White

Order Information:
RE-C-2.50-XX-FH

Pitch:2.50mm
No.of 02~15 pins
Type:Female Housing



NINGBO RHT ELECTRONIC CO.,LTD

UNITS:mm

SHEET SIZE:A4

SCALE:---

RE-C-2.50-XX-FH

>0~3

>3~18

>18~50

>50~120

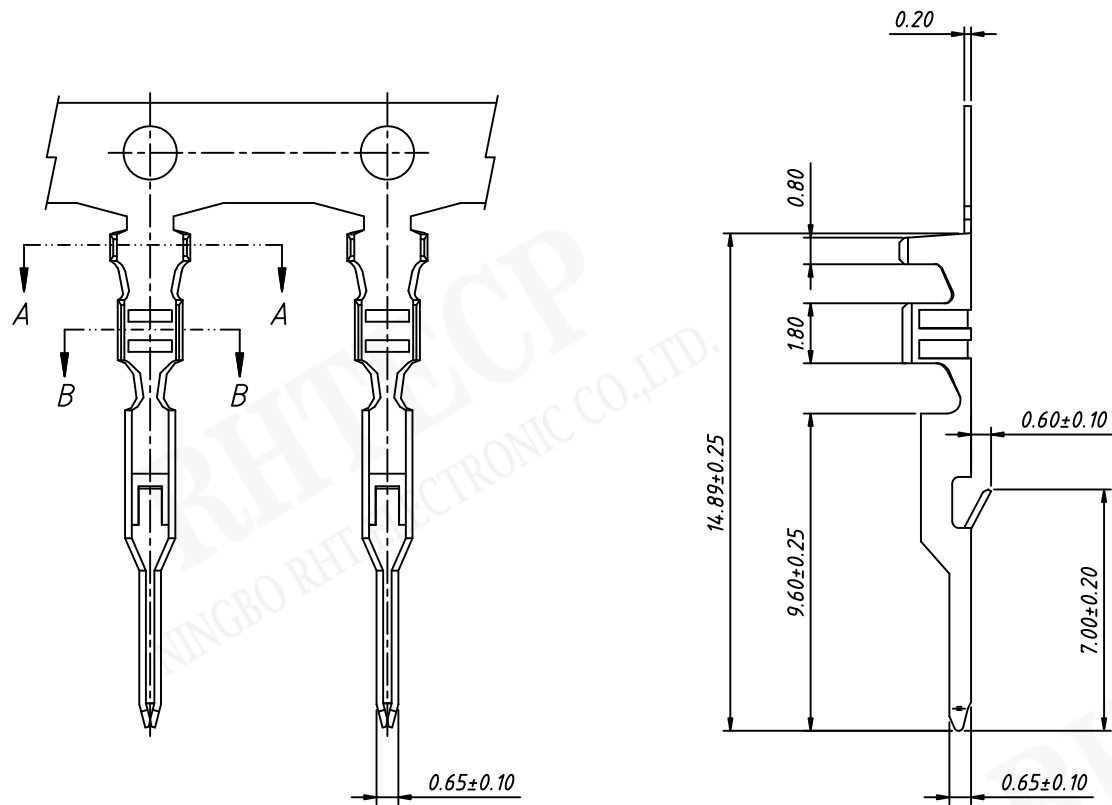
±0.12

±0.15

±0.3

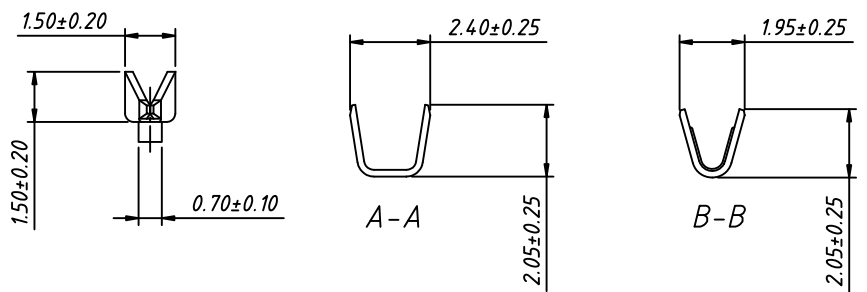
±0.5

CONNECTORS

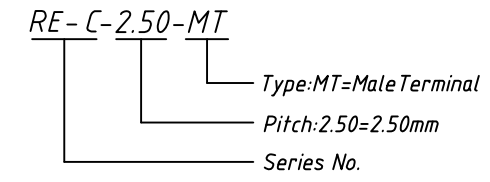


Material:
Terminal: Phos Bronze, Tin plating

- Electrical Characteristics:
1. Current rating: 3.0A
 2. Voltage rating: 250V
 3. Temperature range: -25°C to +85°C
 4. Contact resistance: $\leq 10m\Omega$
 5. Insulation resistance: $\geq 1000M\Omega$
 6. Withstand voltage: 1000V AC/minute
 7. After environmental testing: $\leq 20m\Omega$
 8. Applicable wire: AWG #28 to #22
 9. Insulation O.D.: 1.60mm(Max)



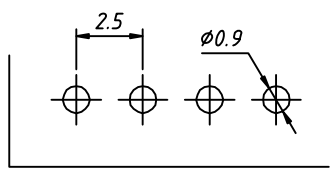
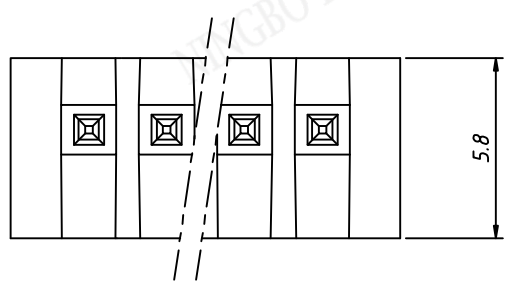
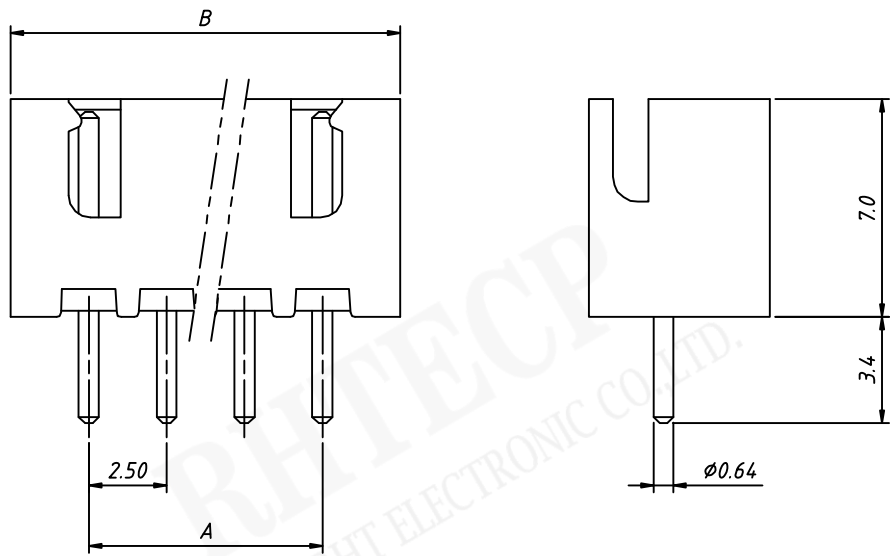
Order Information



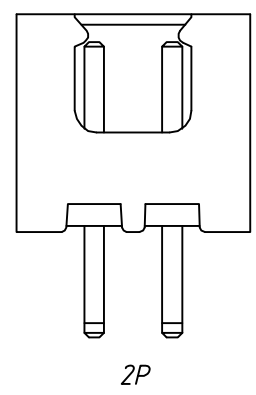
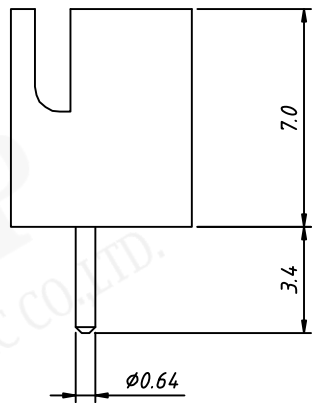
NINGBO RHT ELECTRONIC CO.,LTD

UNITS:mm	SHEET SIZE:A4		SCALE:---
>0~3	>3~18	>18~50	>50~120
±0.12	±0.15	±0.3	±0.5

RE-C-2.50-MT	
CONNECTORS	



PCB LAYOUT



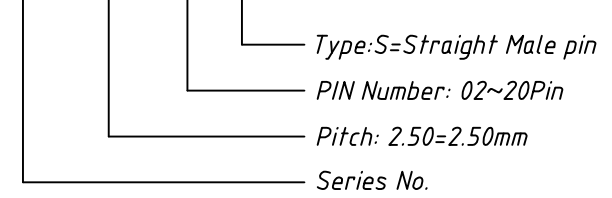
Circuit	Dimensions(mm)	
	A	B
02	2.50	7.50
03	5.00	10.00
04	7.50	12.50
05	10.00	15.00
06	12.50	17.50
07	15.00	20.00
08	17.50	22.50
09	20.00	25.00
10	22.50	27.50
11	25.00	30.00
12	27.50	32.50
13	30.00	35.00
14	32.50	37.50
15	35.00	40.00
16	37.50	42.50
17	40.00	45.00
18	42.50	47.50
19	45.00	50.00
20	47.50	52.50

Material:
Housing: PA66(UL94V-0), White
Contacts: Brass Tin

- Electrical Characteristics:**
1. Poles: 2 to 20P
 2. Current rating: 3.0A
 3. Voltage rating: 250V
 4. Temperature range: -30°C to +90°C
 5. Contact resistance: $\leq 10m\Omega$
 6. Insulation resistance: $\geq 1000M\Omega$
 7. Withstand voltage: 1000V AC/minute
 8. Applicable wire: AWG #30 to #22
 9. Applicable PC board thickness: 1.6mm

Order Information

RE-C-2.50-XX-S

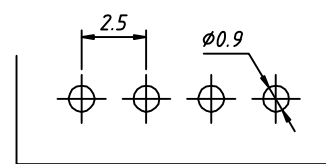
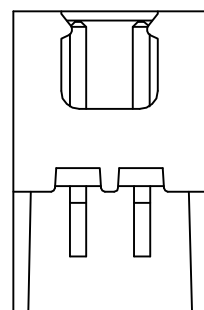
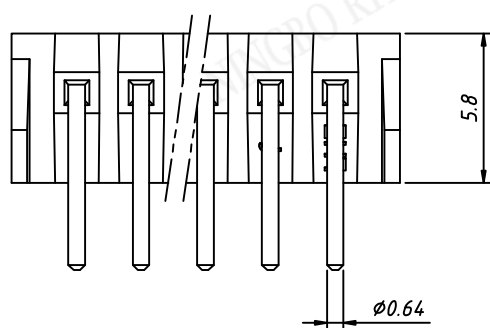
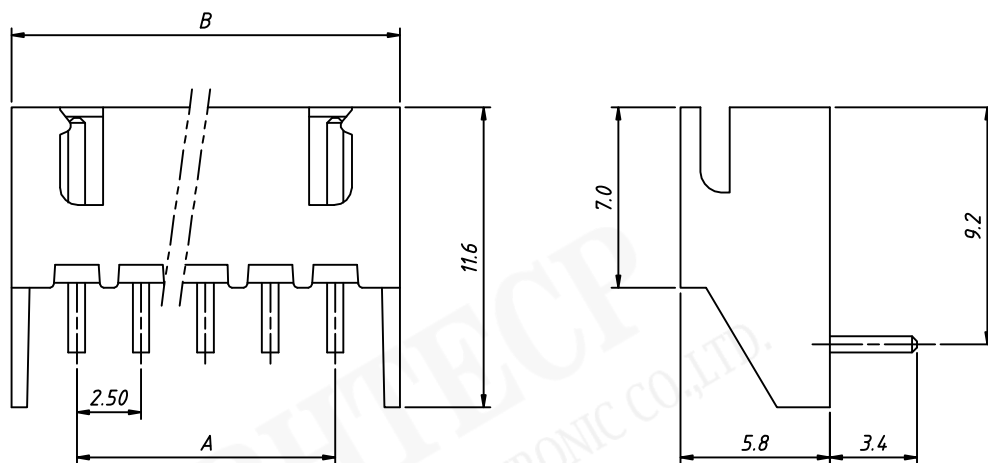


NINGBO RHT ELECTRONIC CO.,LTD

UNITS:mm	SHEET SIZE:A4		SCALE:---
>0~3	>3~18	>18~50	>50~120
± 0.12	± 0.15	± 0.3	± 0.5

RE-C-2.50-XX-S

CONNECTORS



PCB LAYOUT

Circuit	Dimensions(mm)	
	A	B
02	2.50	7.50
03	5.00	10.00
04	7.50	12.50
05	10.00	15.00
06	12.50	17.50
07	15.00	20.00
08	17.50	22.50
09	20.00	25.00
10	22.50	27.50
11	25.00	30.00
12	27.50	32.50
13	30.00	35.00
14	32.50	37.50
15	35.00	40.00
16	37.50	42.50
17	40.00	45.00
18	42.50	47.50
19	45.00	50.00
20	47.50	52.50

Material:
Housing:PA66(UL 94 V-0),White
Contacts:Brass Tin

- Electrical Characteristics:
- 1.Poles: 2 to 20P
 - 2.Current rating: 3.0A
 - 3.Voltage rating: 250V
 - 4.Temperature range: -25℃ to +85℃
 - 5.Contact resistance: $\leq 10m\Omega$
 - 6.Insulation resistance: $\geq 1000M\Omega$
 - 7.Withstand voltage: 1000V AC/minute
 - 8.Applicable wire: AWG #30 to #22
 - 9.Applicable PC board thickness: 1.6mm

Order Information

RE-C-2.50-XX-R

- Type:R=Right Male pin
- PIN Number: 02~20Pin
- Pitch: 2.50=2.50mm
- Series No.



NINGBO RHT ELECTRONIC CO.,LTD

UNITS:mm

SHEET SIZE:A4

SCALE:---

>0~3

>3~18

>18~50

>50~120

RE-C-2.50-XX-R

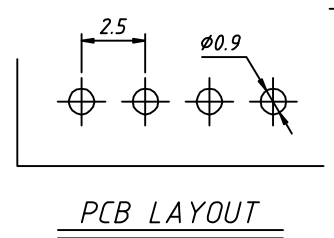
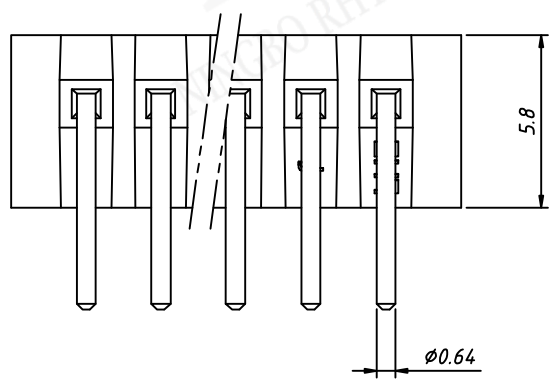
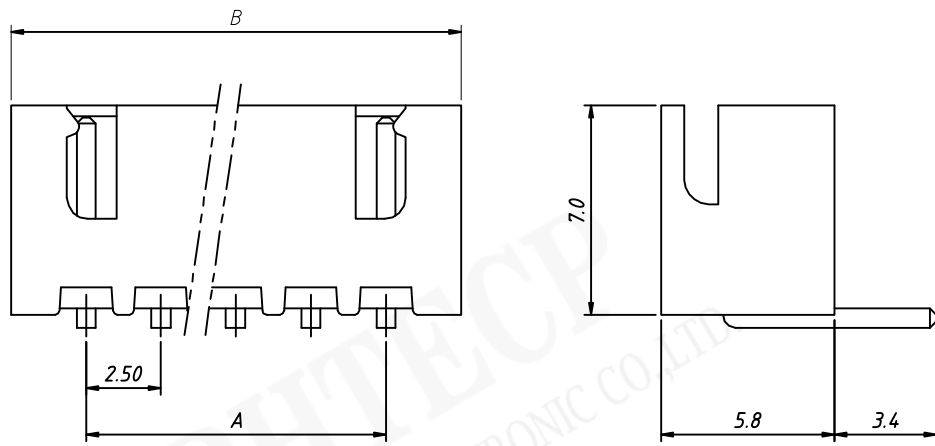
± 0.12

± 0.15

± 0.3

± 0.5

CONNECTORS



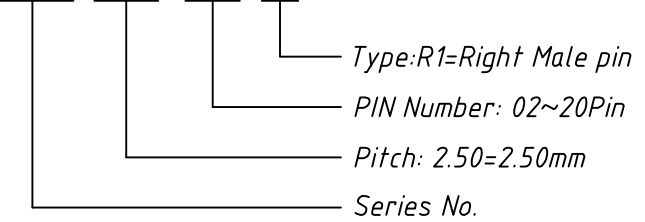
Circuit	Dimensions(mm)	
	A	B
02	2.50	7.50
03	5.00	10.00
04	7.50	12.50
05	10.00	15.00
06	12.50	17.50
07	15.00	20.00
08	17.50	22.50
09	20.00	25.00
10	22.50	27.50
11	25.00	30.00
12	27.50	32.50
13	30.00	35.00
14	32.50	37.50
15	35.00	40.00
16	37.50	42.50
17	40.00	45.00
18	42.50	47.50
19	45.00	50.00
20	47.50	52.50

Material:
Housing: PA66(UL94V-0), White
Contacts: Brass Tin

Electrical Characteristics:
1. Poles: 2 to 20P
2. Current rating: 3.0A
3. Voltage rating: 250V
4. Temperature range: -25°C to +85°C
5. Contact resistance: ≤10mΩ
6. Insulation resistance: ≥1000MΩ
7. Withstand voltage: 1000V AC/minute
8. Applicable wire: AWG #30 to #22
9. Applicable PC board thickness: 1.6mm

Order Information

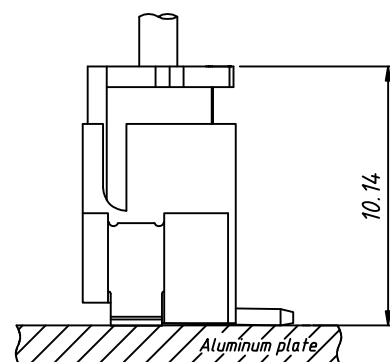
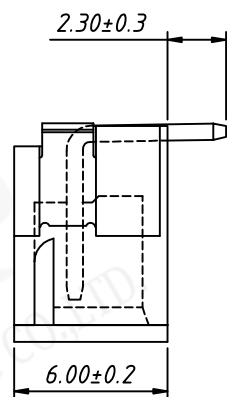
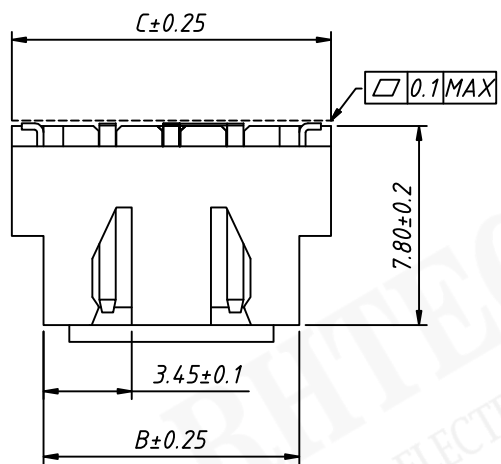
RE-C-2.50-XX-R1



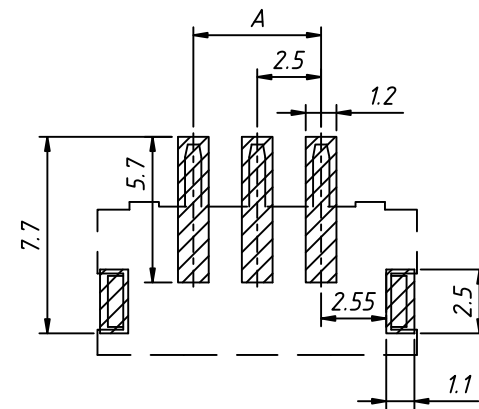
NINGBO RHT ELECTRONIC CO.,LTD

UNITS:mm	SHEET SIZE:A4		SCALE:---
>0~3	>3~18	>18~50	>50~120
±0.12	±0.15	±0.3	±0.5

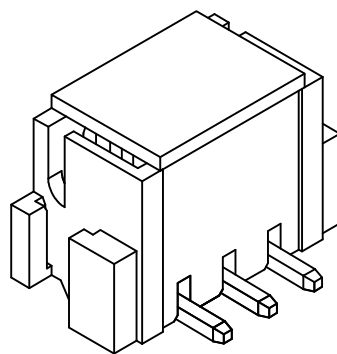
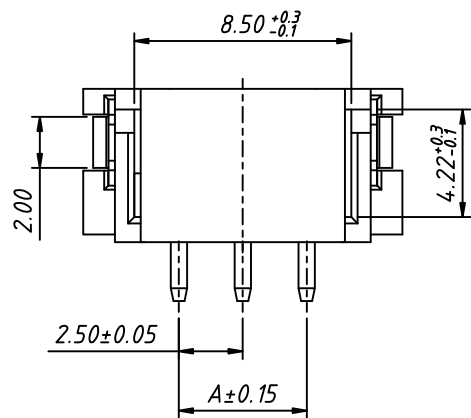
RE-C-2.50-XX-R1
CONNECTORS



Assembly Layout



SUGGESTED PCB LAYOUT



Material:
 Insulator: LCP UL94V-0, Beige
 Contacts: Brass, Tin Plated
 Solder Tab: Brass, Tin Plated

Electrical Specification:

Poles: 02 to 16
 Contact resistance: $\leq 20m\Omega$
 Insulation resistance: $\geq 1000M\Omega$
 Rated voltage: 250V AC DC
 Rated current: 3.0A AC DC
 Withstand Voltage: 1000V AC/minute
 Temperature Range: $-25^{\circ}C \sim +105^{\circ}C$

Circuit	Dimensions(mm)			Circuit	Dimensions(mm)		
	A	B	C		A	B	C
02	2.50	7.50	10.00	10	22.50	27.50	30.00
03	5.00	10.00	12.50	11	25.00	30.00	32.50
04	7.50	12.50	15.00	12	27.50	32.50	35.00
05	10.00	15.00	17.50	13	30.00	35.00	37.50
06	12.50	17.50	20.00	14	32.50	37.50	40.00
07	15.00	20.00	22.50	15	35.00	40.00	42.50
08	14.50	22.50	25.00	16	37.50	42.50	45.00
09	20.00	25.00	27.50				

RHTECP NINGBO RHT ELECTRONIC CO.,LTD

UNITS:mm

SHEET SIZE:A4

SCALE:---

RE-C-2.50-XX-VM

>0~3

>3~18

>18~50

>50~120

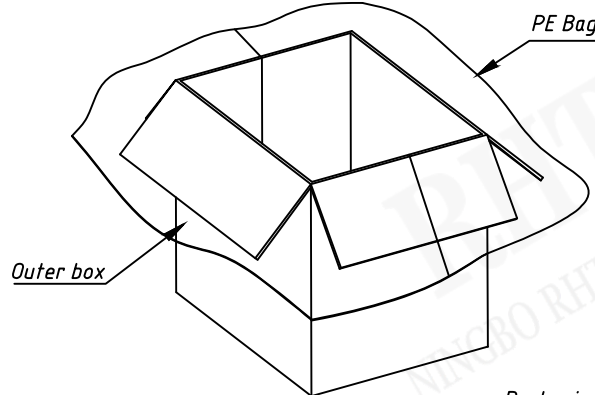
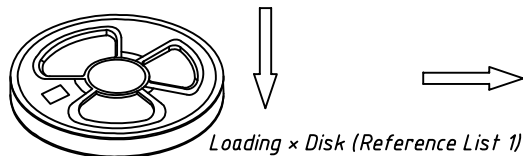
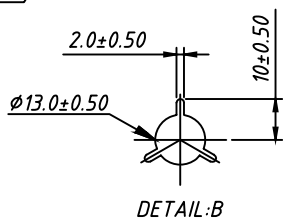
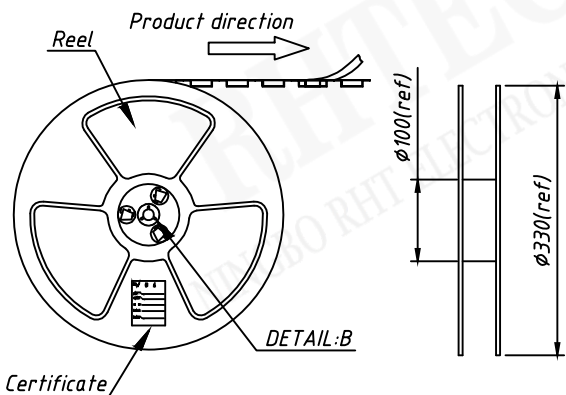
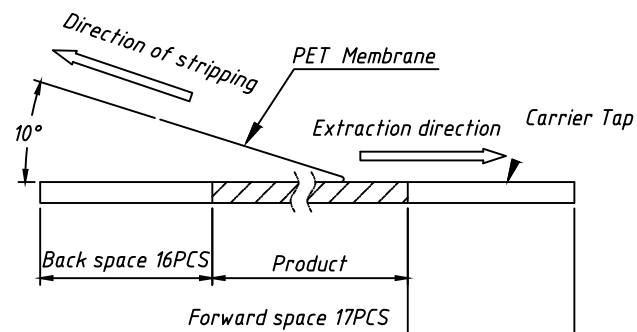
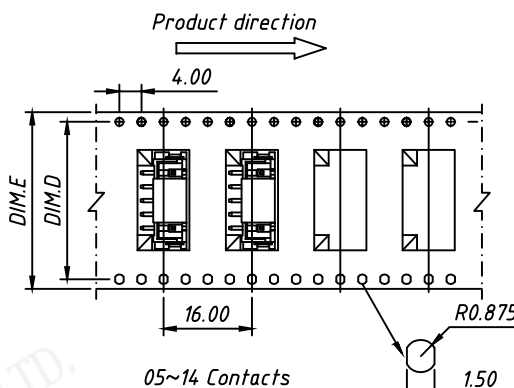
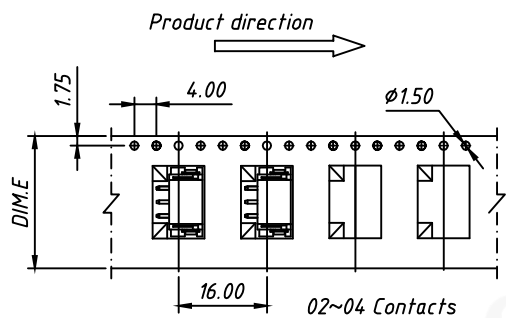
CONNECTORS

±0.12

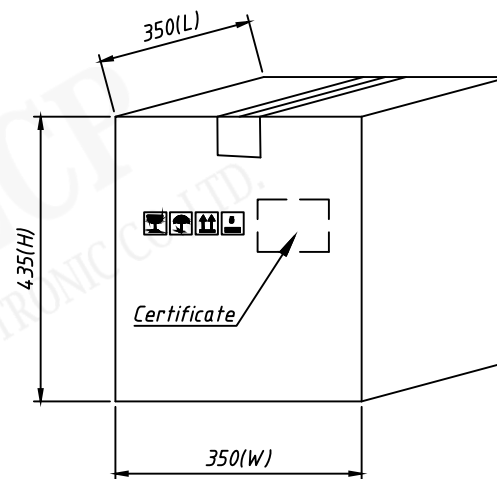
±0.15

±0.3

±0.5



PET Membrane Schematic diagram of stripping



Packaging instructions:
 Pack the finished products into reels, each with 501 PCS.
 The product will be packed by pasting a certificate on the reel.
 The reel is put into the outer box, and the outer box is fitted with one first.
 Large PE bags with qualified certificates affixed on the outer case.

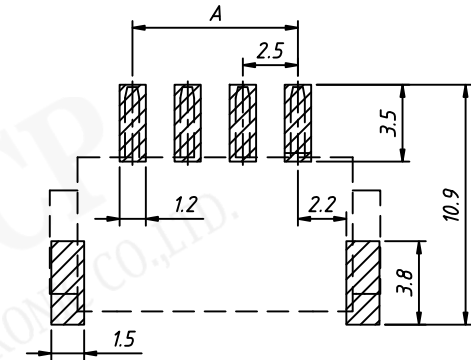
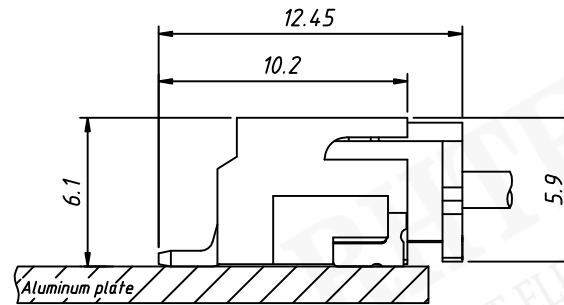
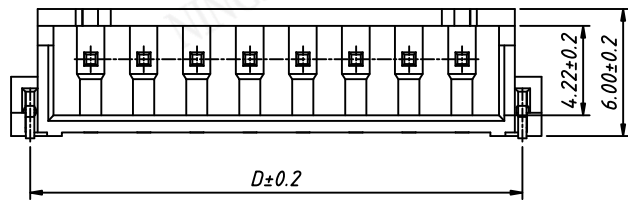
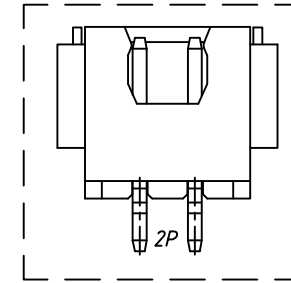
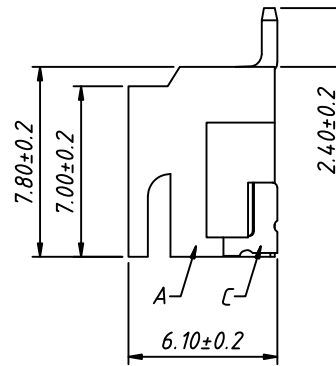
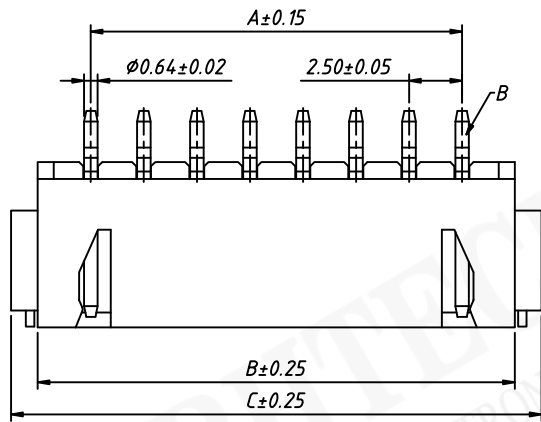
Circuits	DIM.D	DIM.E
02-04 PIN	--	24
05-06 PIN	28.4	32
07-10 PIN	40.4	44
14 PIN	52.4	56

RHTECP NINGBO RHT ELECTRONIC CO.,LTD

UNITS:mm	SHEET SIZE:A4		SCALE:---
>0~3	>3~18	>18~50	>50~120
± 0.12	± 0.15	± 0.3	± 0.5

RE-C-2.50-XX-VM

CONNECTORS



Assembly Layout

SUGGESTED PCB LAYOUT

Electrical Specification:

- Poles: 02 to 16
- Contact resistance: $\leq 20m\Omega$
- Insulation resistance: $\geq 1000M\Omega$
- Rated voltage: 250V AC DC
- Rated current: 3.0A AC DC
- Withstand Voltage: 1000V AC/minute
- Temperature Range: $-25^{\circ}C \sim +105^{\circ}C$

Material:

- Insulator: LCP UL94V-0, Beige
- Contacts: Brass, Tin Plated
- Solder Tab: Brass, Tin Plated

Circuit	Dimensions(mm)				Circuit	Dimensions(mm)			
	A	B	C	D		A	B	C	D
02	2.50	7.50	10.00	8.20	10	22.50	27.50	30.00	28.20
03	5.00	10.00	12.50	10.70	11	25.00	30.00	32.50	30.70
04	7.50	12.50	15.00	13.20	12	27.50	32.50	35.00	33.20
05	10.00	15.00	17.50	15.70	13	30.00	35.00	37.50	35.70
06	12.50	17.50	20.00	18.20	14	32.50	37.50	40.00	38.20
07	15.00	20.00	22.50	20.70	15	35.00	40.00	42.50	40.70
08	14.50	22.50	25.00	23.20	16	37.50	42.50	45.00	43.20
09	20.00	25.00	27.50	25.70					

RHTECP NINGBO RHT ELECTRONIC CO.,LTD

UNITS:mm

SHEET SIZE:A4

SCALE:---

RE-C-2.50-XX-RM

>0~3

>3~18

>18~50

>50~120

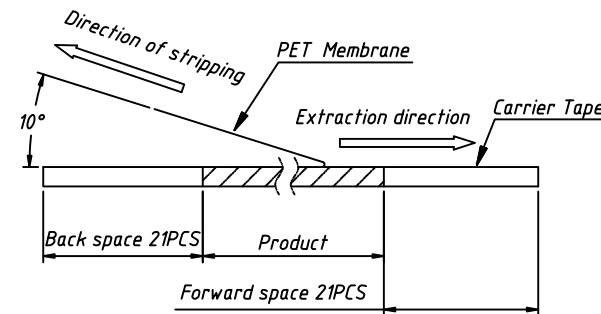
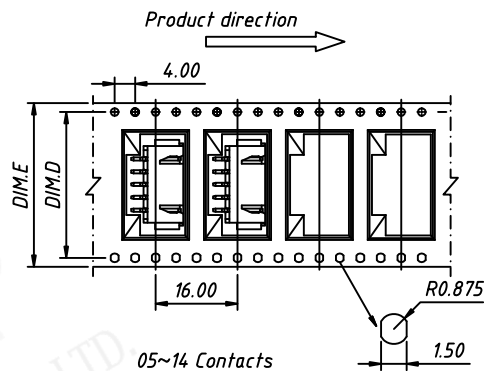
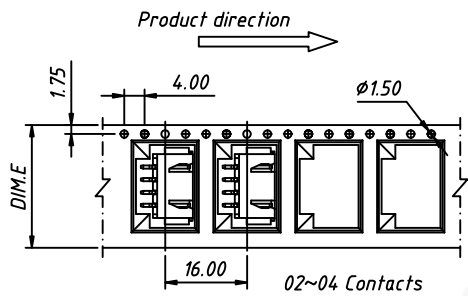
±0.12

±0.15

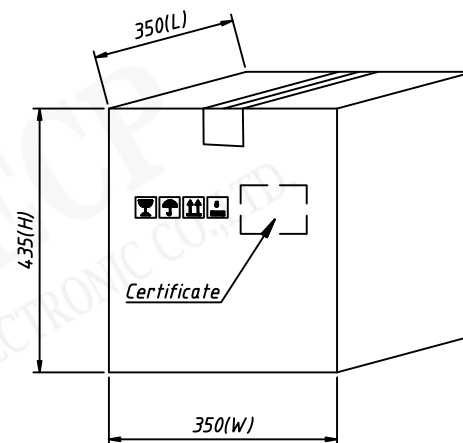
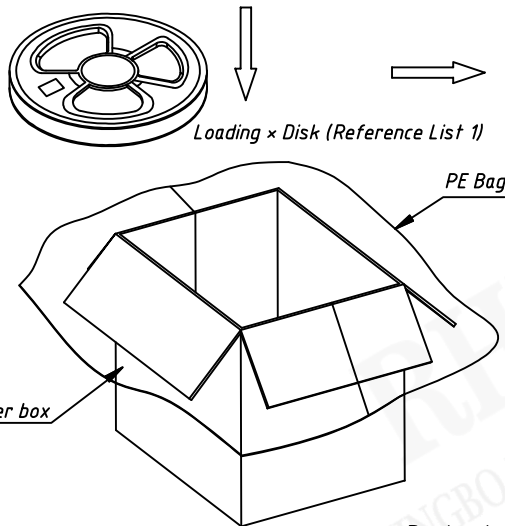
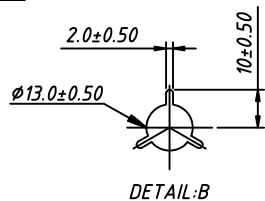
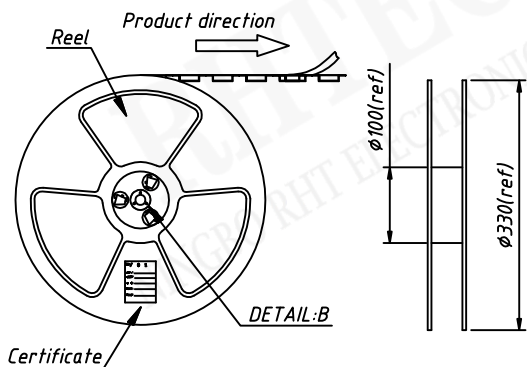
±0.3

±0.5

CONNECTORS



PET Membrane Schematic diagram of stripping



Packaging instructions:

Pack the finished products into reels, each with 700 PCS.
 The product will be packed by pasting a certificate on the reel.
 The reel is put into the outer box, and the outer box is fitted with one first.
 Large PE bags with qualified certificates affixed on the outer case.

Circuits	DIM.D	DIM.E
02-04 PIN	--	24
05-06 PIN	28.4	32
07-10 PIN	40.4	44
11-14 PIN	52.4	56

RHTECP NINGBO RHT ELECTRONIC CO.,LTD

UNITS:mm	SHEET SIZE:A4	SCALE:---
>0~3	>3~18	>18~50
±0.12	±0.15	±0.3
		±0.5

RE-C-2.50-XX-RM
 CONNECTORS