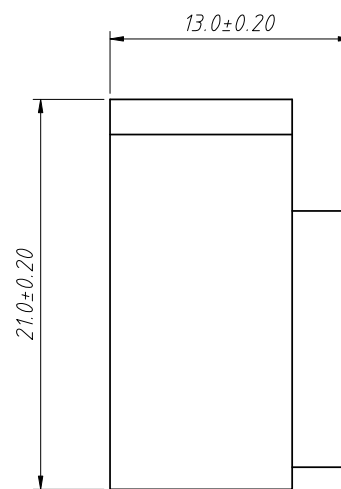
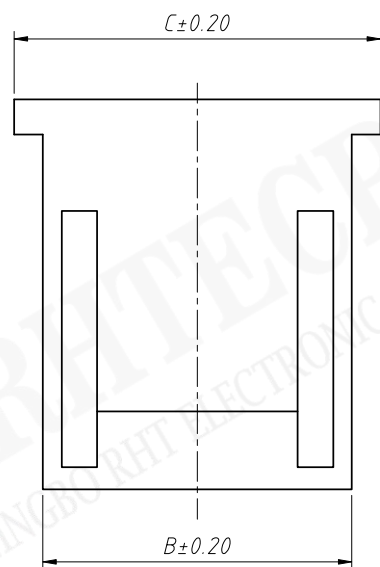


Pin	Dimensions(mm)			
	A	B	C	D
02	2.50	5.90	7.40	2.90
03	5.00	8.40	10.00	5.40
04	7.50	10.90	12.50	7.90



Material:

Housing:PA66,UL 94 V-2

Electrical Characteristics:

Rated Current:2.0AMP

Voltage rating:250V AC,DC

Temperature range:-25°C ~ + 85°C

Insulator Resistance:800MΩ Min

Withstanding Voltage:500V AC/minute

Contact Resistance:20mΩ Max

Order Information:

RE-C-XM1-2.54-XX-FH

Pitch:2.50mm

XX-No.of 02~04pins

Type:

MH-Male Housing

FH-Female Housing

MT-Male Terminal

FT-Female Terminal

S-Straight male pin

R-Right angle male pin



NINGBO RHT ELECTRONIC CO.,LTD

UNITS:mm

SHEET SIZE:A4

SCALE:---

RE-C-XM1-2.54-XX-FH

>0~3

>3~18

>18~50

>50~120

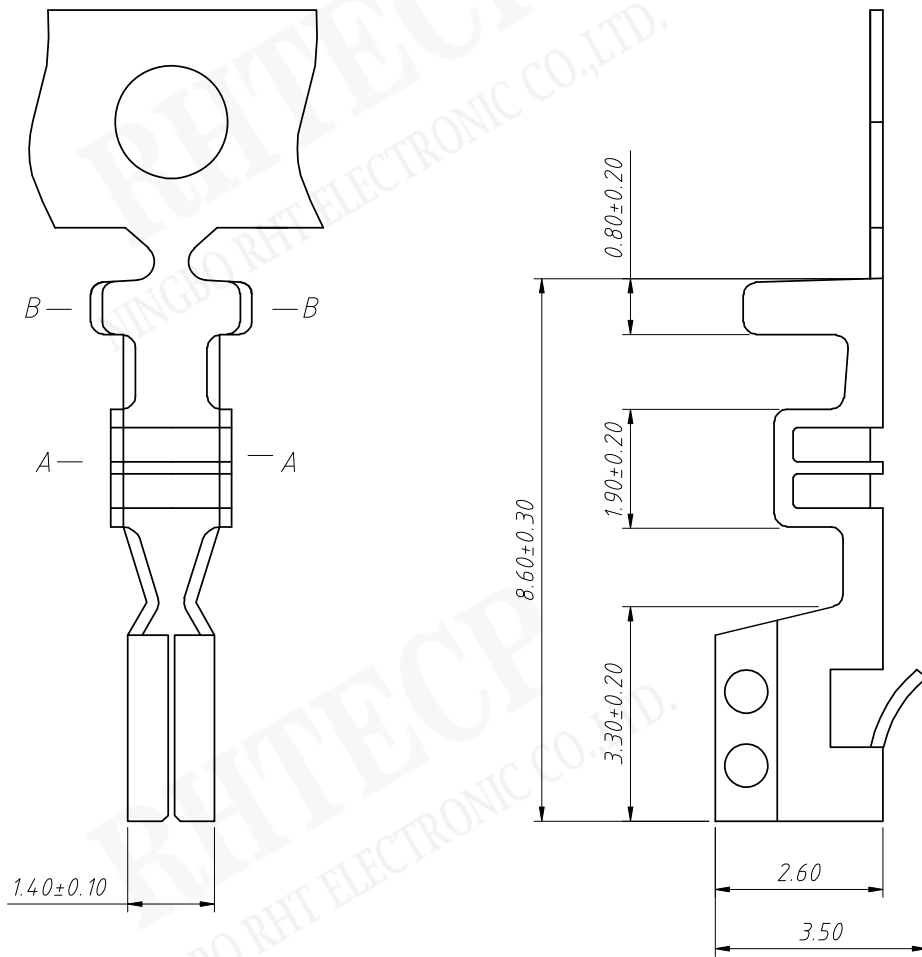
±0.12

±0.15

±0.3

±0.5

CONNECTORS



Material:
Terminal: Brass
Plating: Tin plated
Applicable wires: AWG #22 ~ # 28
Insulation O.D: 1.80mm
Thickness: 0.20mm
Qty/reel: 7000 PCS

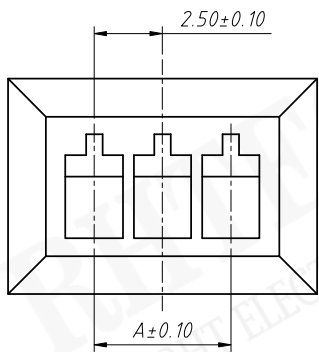
Electrical Characteristics:
Rated Current: 2.0AMP
Voltage rating: 250V AC, DC
Temperature range: $-25^{\circ}\text{C} \sim +85^{\circ}\text{C}$
Insulator Resistance: $800\text{M}\Omega$ Min
Withstanding Voltage: 500V AC/minute
Contact Resistance: $20\text{m}\Omega$ Max

Order Information:
RE-C-XM1-2.54-FT

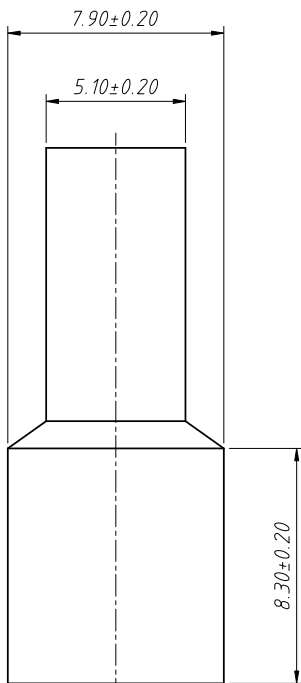
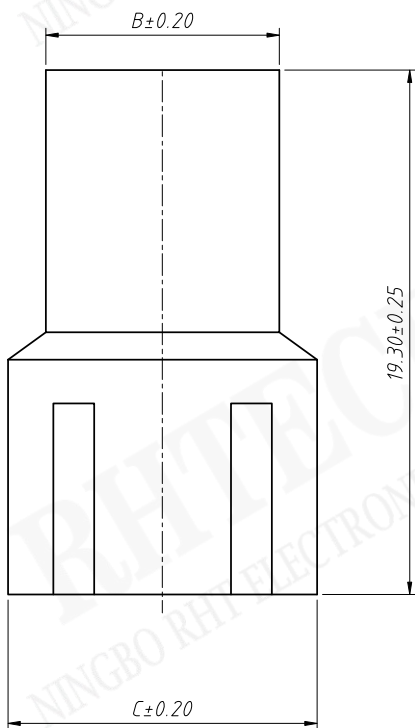
Pitch: 2.50mm

Type:

MH-Male Housing FH-Female Housing
MT-Male Terminal FT-Female Terminal
S-Straight male pin R-Right angle male pin



Pin	Dimensions(mm)		
	A	B	C
02	2.50	5.90	8.70
03	5.00	8.40	11.20
04	7.50	10.90	13.70



Material:

Housing:PA66,UL 94 V-2

Electrical Characteristics:

Rated Current:2.0AMP

Voltage rating:250V AC,DC

Temperature range:-25°C ~ + 85°C

Insulator Resistance:800MΩ Min

Withstanding Voltage:500V AC/minute

Contact Resistance:20mΩ Max

Order Information:

RE - C - XM1 - 2.54 - XX - MH

Pitch:2.50mm

XX-No.of 02 ~ 04pins

Type:

MH-Male Housing

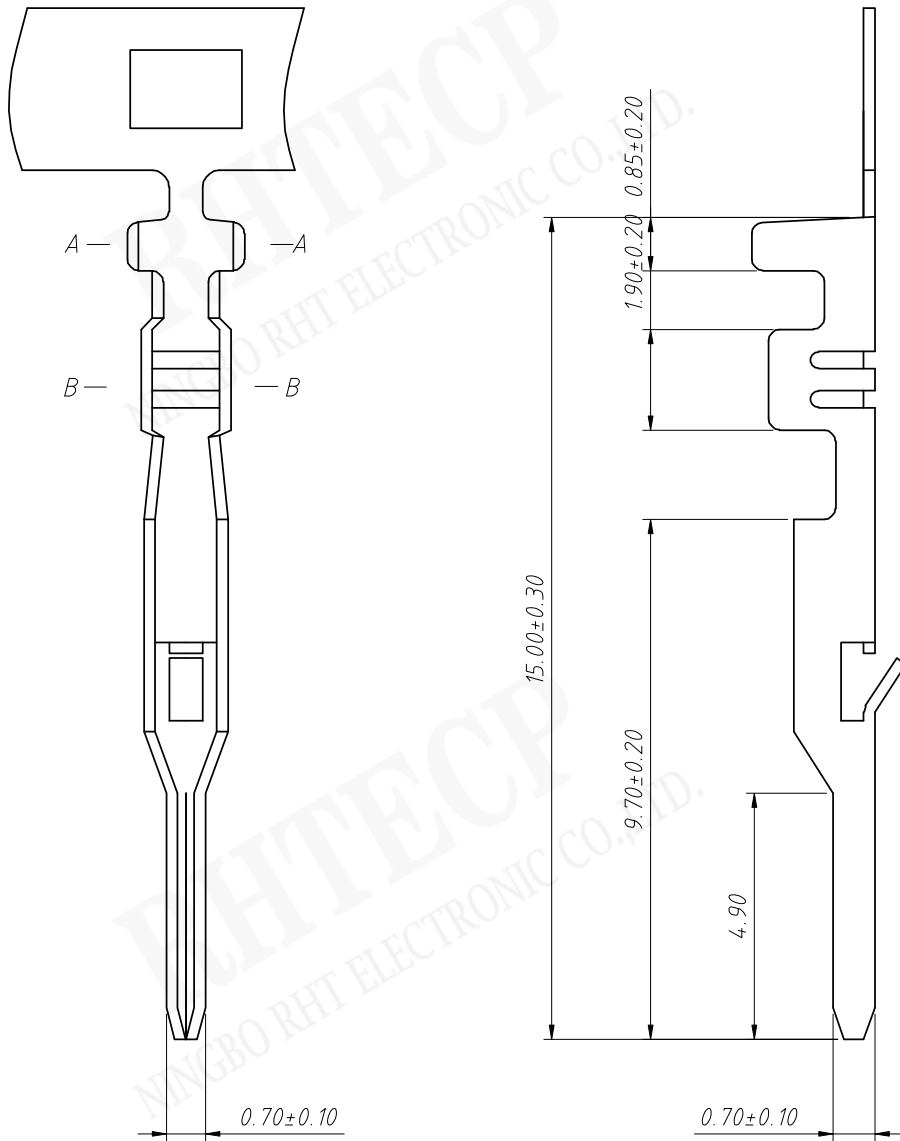
FH-Female Housin

MT-Male Terminal

FT-Female Termina

S-Straight male pin

R-Right angle male



Material:
Terminal: Brass
Plating: Tin plated
Applicable wires: AWG #22 ~ # 28
Insulation O.D: 1.80mm
Thickness: 0.20mm
Qty/reel: 10000 PCS

Electrical Characteristics:
Rated Current: 2.0AMP
Voltage rating: 250V AC, DC
Temperature range: $-25^{\circ}\text{C} \sim +85^{\circ}\text{C}$
Insulator Resistance: 800M Ω Min
Withstanding Voltage: 500V AC/minute
Contact Resistance: 20m Ω Max

Order Information:
RE-C-XM1-2.54-MT

Pitch: 2.50mm
Type: _____
MH-Male Housing FH-Female Housing
MT-Male Terminal FT-Female Terminal
S-Straight male pin R-Right angle male pin

 NINGBO RHT ELECTRONIC CO.,LTD

UNITS:mm

SHEET SIZE:A4

SCALE:---

RE-C-XM1-2.54-MT

>0~3

>3~18

>18~50

>50~120

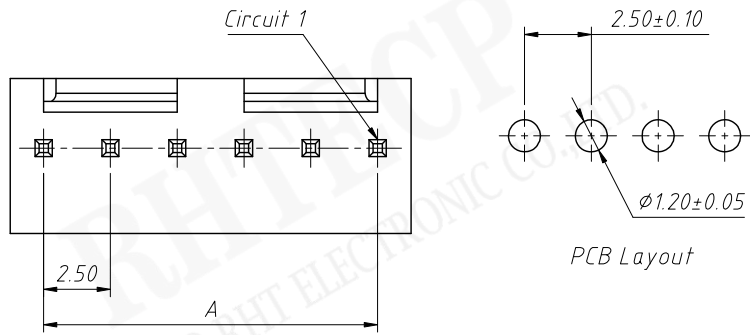
± 0.12

± 0.15

± 0.3

± 0.5

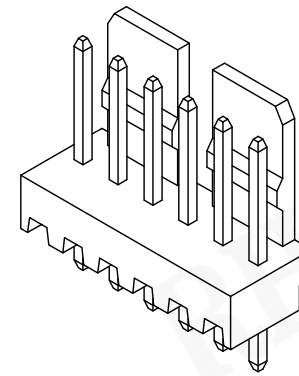
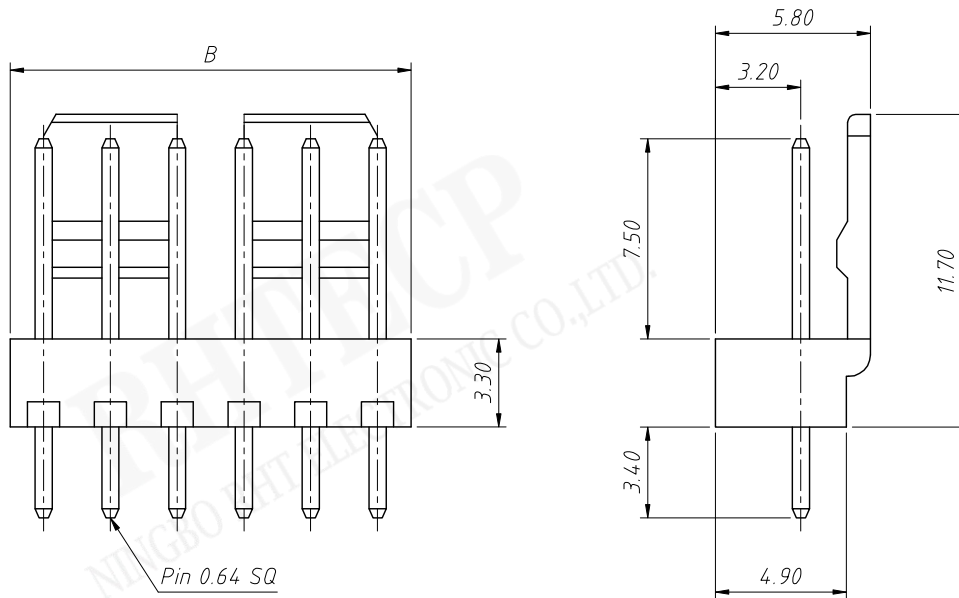
CONNECTORS



Pin	Dimensions(mm)		Pin	Dimensions(mm)	
	A	B		A	B
02	2.50	5.00	12	27.50	30.00
03	5.00	7.50	13	30.00	32.50
04	7.50	10.00	14	32.50	35.00
05	10.00	12.50	15	35.00	37.50
06	12.50	15.00	16	37.50	40.00
07	15.00	17.50	17	40.00	42.50
08	17.50	20.00	18	42.50	45.00
09	20.00	22.50	19	45.00	47.50
10	22.50	25.00	20	47.50	50.00
11	25.00	27.50			

Material:
Housing: PA66, UL94V-0
Contact : Brass
Plating : Bright Tin Plating

Electrical Characteristics:
Rated Current: 3.0AMP
Voltage rating: 250V AC, DC
Temperature range: $-25^{\circ}\text{C} \sim +85^{\circ}\text{C}$
Insulator Resistance: $1000\text{M}\Omega$ Min
Withstanding Voltage: 1500V AC/minute
Contact Resistance: $20\text{m}\Omega$ Max
After environmental testing: $40\text{m}\Omega$ Max



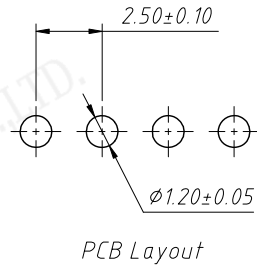
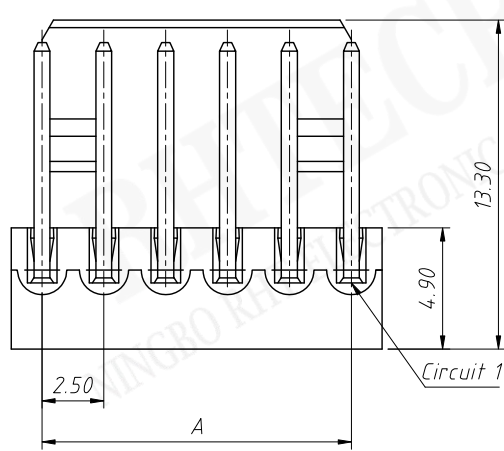
Order Information:

RE-C-XM1-2.54-XX-S

Pitch: 2.50mm
XX-No. of 02 ~ 20 pins

Type:

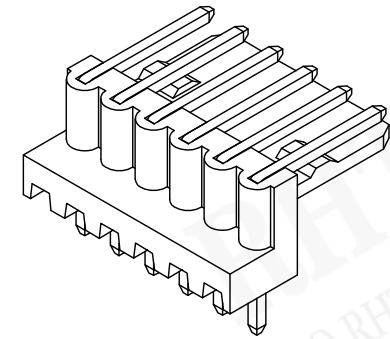
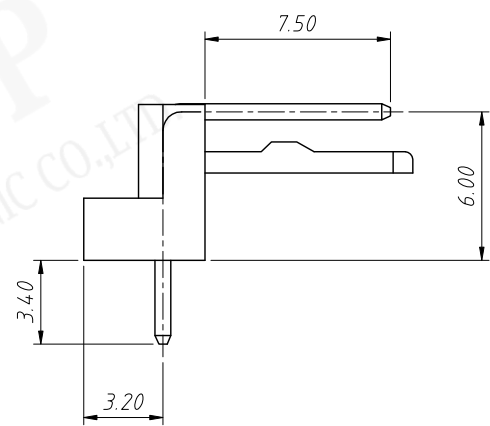
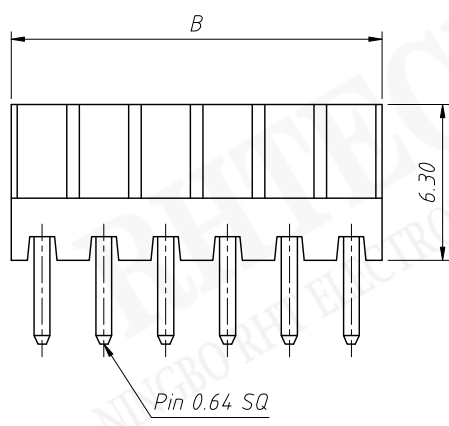
MH-Male Housing FH-Female Housing
MT-Male Terminal FT-Female Terminal
S-Straight male pin R-Right angle male pin



Pin	Dimensions(mm)		Pin	Dimensions(mm)	
	A	B		A	B
02	2.50	5.00	12	27.50	30.00
03	5.00	7.50	13	30.00	32.50
04	7.50	10.00	14	32.50	35.00
05	10.00	12.50	15	35.00	37.50
06	12.50	15.00	16	37.50	40.00
07	15.00	17.50	17	40.00	42.50
08	17.50	20.00	18	42.50	45.00
09	20.00	22.50	19	45.00	47.50
10	22.50	25.00	20	47.50	50.00
11	25.00	27.50			

Material:
 Housing:PA66,UL94V-0
 Contact:Brass
 Plating:Bright Tin Plating

Electrical Characteristics:
 Rated Current:3.0AMP
 Voltage rating:250V AC,DC
 Temperature range:-25°C + 85°C
 Insulator Resistance:1000MΩ Min
 Withstanding Voltage:1500V AC/minute
 Contact Resistance:20mΩ Max
 After environmental testing:40mΩ Max



Order Information:
 RE-C-XM1-2.54-XX-R

Pitch:2.50mm
 XX-No.of 02~20 pins
 Type: _____

MH-Male Housing FH-Female Housing
 MT-Male Terminal FT-Female Terminal
 S-Straight male pin R-Right angle male pin



NINGBO RHT ELECTRONIC CO.,LTD

UNITS:mm	SHEET SIZE:A4	SCALE:---
>0~3	>3~18	>18~50
±0.12	±0.15	±0.5

RE-C-XM1-2.54-XX-R
 CONNECTORS