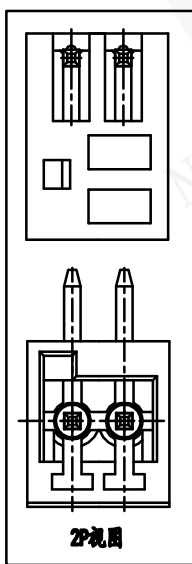
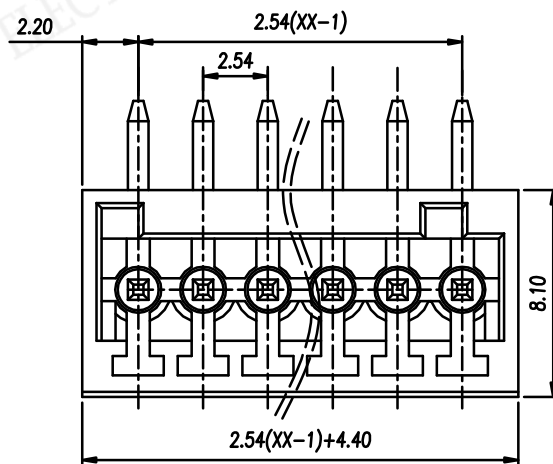
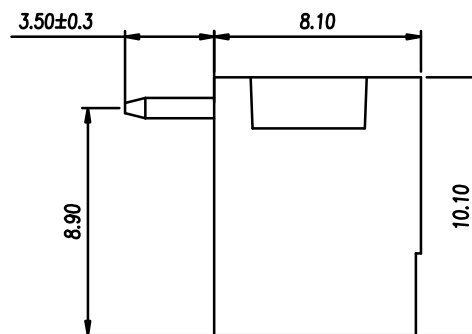
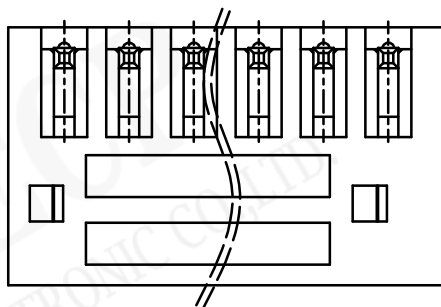


P.C.B. LAYOUT



2P视图

UL/CUL 技术参数			
UL/CUL Technical Data			
等级	Use Group	B	C D
额定电压	Rated Voltage [V]	150	- -
额定电流	Rated Current [A]	5	- -
接线范围	Wire Range		
单/多芯线	Solid/Stranded [AWG]	-	
耐电压	Withstanding Voltage	1300V/1Min	
IEC 技术参数			
IEC Technical Data			
过电压类别	Overvoltage Category	III	III II
污染等级	Contamination Class	3	2 2
额定电压	Rated Voltage [V]	80	160 320
额定电流	Rated Current [A]	5	5 5
额定冲击电压	Impulse withstand voltage [KV]	1.5	2.5 2.5
导线截面积	Conductor cross section		
硬质/柔性导线	Solid/flexible [mm ²]	-	
材料			
绝缘材料	Insulation Material	PA66	
阻燃等级	Imflamability	UL94V-0	
导体材料	Contacting Material	铜合金 Copper alloy	
导体表面镀层	Contactive Coating	镀锡 Sn Plated	
一般参数			
间距	Pitch /极数 Poles [mm]/[P]	2.54 / 02-24	
剥线长度	Stripping Length [mm]	-	
螺丝	Screw/扭矩 Torque(Max) [N.m]	-	
工作温度	Operating temperature [°C]	-40~105	
锡焊温度	Soldering temperature	260°C/5S	
引针尺寸	Pin Dimensions [mm]	0.8*0.8	
PCB板孔径	PCB Hole Diameter [mm]	Ø1.3	

linear dimension(Tolerances Standard GB/T 14486-2008)										
variable range	to 6	over 6 to 10	over 10 to 30	over 30 to 60	over 60 to 100	over 100 to 160	over 160 to 10	over 10 to 100	over 100 to 100	
tolerance	±0.20	±0.30	±0.50	±0.70	±1.00	±1.30	±1.60	0.10	0.30	0.60

RHTECP NINGBO RHT ELECTRONIC CO.,LTD

UNITS:MM	SHEET SIZE:A4	SCALE:---
>0~3	>3~18	>18~50 >50~120
±0.12	±0.15	±0.3 ±0.5

RE-C-EDR-2.54-XXP-4
TERMINAL BLOCKS