

Connector



www.rhtecp.com

connectors industrial circular Series

RE-C-225-M16 Connectors Industrial Circular Series

Safety approval : UL Water proof IP L 55
 Subminiature aviation linkers are widely used for the Hi-Tech trade. The appearances of the products has two kinds, plug-type and thread type. Used in the installation of the panel, small, exquisite and sensitive. It's nickel-plated and easy to plug-in.

Electrical Characteristics:

Rated current: 2-4P: 7A
 5P: 5A
 6-10P:4A

Rated Voltage:125V

Operation Voltage: 200 VAC

Withstanding Voltage :1500 VAC

Insulation resistance :2000MA DC 500V

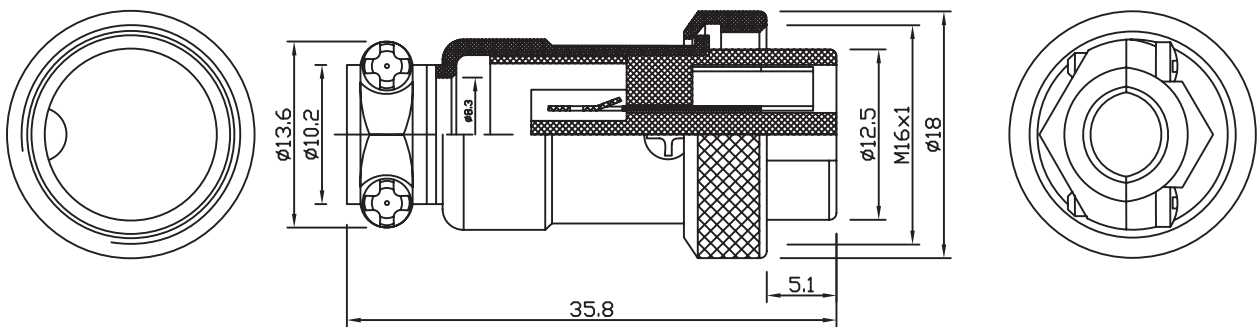
Contact resistance: 10 mA DC1A

Solder cup mouth diameter: 2 ~ 4P: 1.6 mm
 5P: 1.2 mm
 6 ~ 10P: 0.9 mm

Solder diameter: 2-4P: 2.45 mm
 5P: 2 mm
 6-10P: 1.15 mm



Plug IP55



ORDER INFORMATION

Product No.: RE - C - 225 - M16 - 2 F1

Pos. No. _____

Dental regulations: M16 _____

Number of Contacts: 2#3#4#5#6#7#8#9#10P _____

2P	3P	4P	5P	6P
7P	8P	9P	10P	

TYPE Ordering



Connector



www.rhtecp.com

connectors industrial circular Series

RE-C-225-M16 Connectors Industrial Circular Series

Safety approval : UL Water proof IP L 55
 Subminiature aviation linkers are widely used for the Hi-Tech trade. The appearances of the products has two kinds, plug-type and thread type. Used in the installation of the panel, small, exquisite and sensitive. It's nickel-plated and easy to plug-in.

Electrical Characteristics:

Rated current: 2-4P: 7A
 5P: 5A
 6-10P:4A

Rated Voltage:125V

Operation Voltage: 200 VAC

Withstanding Voltage :1500 VAC

Insulation resistance :2000MA DC 500V

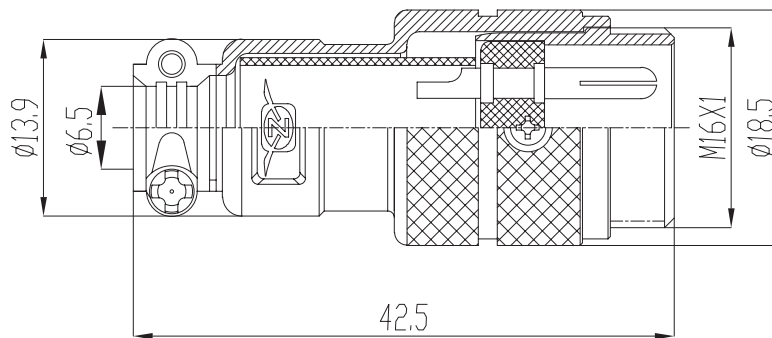
Contact resistance: 10 mA DC1A

Solder cup mouth diameter: 2 ~ 4P: 1.6 mm
 5P: 1.2 mm
 6 ~ 10P: 0.9 mm

Solder diameter: 2-4P: 2.45 mm
 5P: 2 mm
 6-10P: 1.15 mm



Male cable connecting plug IP55



ORDER INFORMATION

Product No.: RE - C -225 - M16 - 2 F2

Pos. No. _____

Dental regulations: M16 _____

Number of Contacts: 2#3#4#5#6#7#8#9#10P

2P 	3P 	4P 	5P 	6P
7P 	8P 	9P 	10P 	

TYPE Ordering



Connector



www.rhtecp.com

connectors industrial circular Series

RE-C-225-M16 Connectors Industrial Circular Series

Safety approval : UL Water proof IP L 55
 Subminiature aviation linkers are widely used for the Hi-Tech trade. The appearances of the products has two kinds, plug-type and thread type. Used in the installation of the panel, small, exquisite and sensitive. It's nickel-plated and easy to plug-in.

Electrical Characteristics:

Rated current: 2-4P: 7A
 5P: 5A
 6-10P:4A

Rated Voltage:125V

Operation Voltage: 200 VAC

Withstanding Voltage :1500 VAC

Insulation resistance :2000MA DC 500V

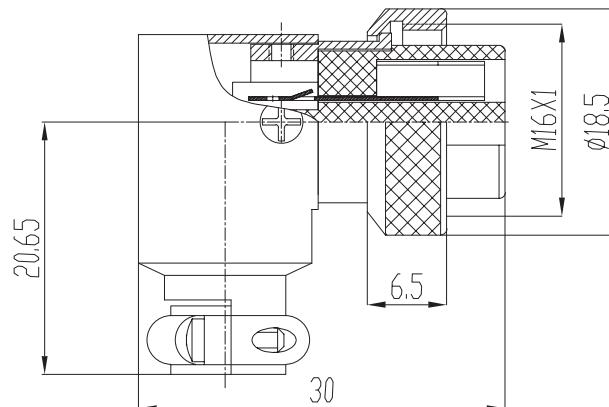
Contact resistance: 10 mA DC1A

Solder cup mouth diameter: 2~4P: 1.6 mm
 5P: 1.2 mm
 6~10P: 0.9 mm

Solder diameter: 2-4P: 2.45 mm
 5P: 2 mm
 6-10P: 1.15 mm



90 degree angled plug IP55



ORDER INFORMATION

Product No.: RE - C-225-M16-2 F3

Pos. No. _____
 Dental regulations: M16 _____
 Number of Contacts: 2P 3P 4P 5P 6P 7P 8P 9P 10P

2P	3P	4P	5P	6P
7P	8P	9P	10P	

TYPE Ordering



Connector



www.rhtecp.com

connectors industrial circular Series

RE-C-225-M16 Connectors Industrial Circular Series

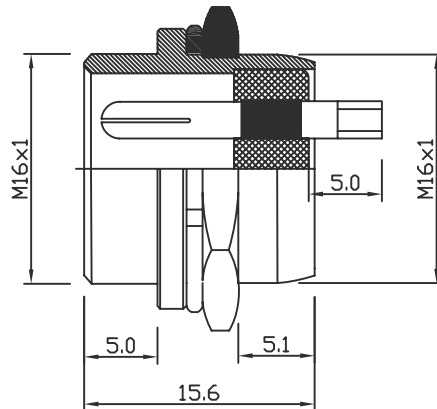
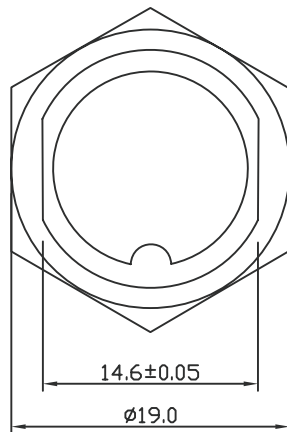
Safety approval : UL Water proof I PL 55
 Subminiature aviation linkers are widely used for the Hi-Tech trade. The appearances of the products has two kinds, plug-type and thread type. Used in the installation of the panel, small, exquisite and sensitive. It's nickel-plated and easy to plug-in.

Electrical Characteristics:

- Rated current: 2 ~ 4P: 7A
- 5P: 5A
- 6 ~ 10P: 4A
- Rated Voltage: 125V
- Operation Voltage: 200 VAC
- Withstanding Voltage : 1500 VAC
- Insulation resistance : 2000MA DC 500V
- Contact resistance: 10 mA DC1A
- Solder cup mouth diameter: 2 ~ 4P: 1.6 mm
- 5P: 1.2 mm
- 6 ~ 10P: 0.9 mm
- Solder diameter: 2 ~ 4P: 2.45mm
- 5P: 2 mm
- 6 ~ 10P: 1.15mm



Socket IP55



ORDER INFORMATION

Product No.: RE - C - 225 - M16 - 2 M1

Pos. No. _____
 Dental regulations: M16 _____
 Number of Contacts: 2P 3P 4P 5P 6P 7P 8P 9P 10P

2P	3P	4P	5P	6P
7P	8P	9P	10P	

TYPE Ordering



Connector



www.rhtecp.com

connectors industrial circular Series

RE-C-225-M16 Connectors Industrial Circular Series

Safety approval : UL Water proof I PL 55
 Subminiature aviation linkers are widely used for the Hi-Tech trade. The appearances of the products has two kinds, plug-type and thread type. Used in the installation of the panel, small, exquisite and sensitive. It's nickel-plated and easy to plug-in.

Electrical Characteristics:

Rated current: 2 ~ 4P: 7A
 5P: 5A
 6 ~ 10P: 4A

Rated Voltage: 125V

Operation Voltage: 200 VAC

Withstanding Voltage : 1500 VAC

Insulation resistance : 2000MA DC 500V

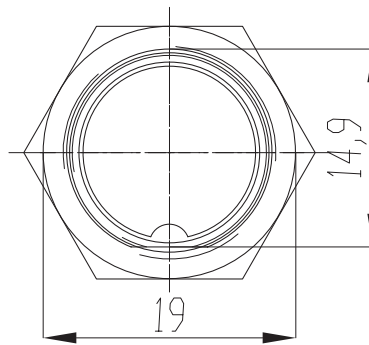
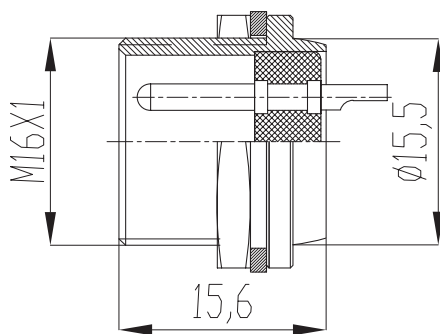
Contact resistance: 10 mA DC1A

Solder cup mouth diameter: 2 ~ 4P: 1.6 mm
 5P: 1.2 mm
 6 ~ 10P: 0.9 mm

Solder diameter: 2 ~ 4P: 2.45mm
 5P: 2 mm
 6 ~ 10P: 1.15mm



Single milling face male socket IP55



ORDER INFORMATION

Product No.: RE - C - 225 - M16 - 2 M2

Pos. No. _____

Dental regulations: M16 _____

Number of Contacts: 2 3 4 5 6 7 8 9 10P

2P 	3P 	4P 	5P 	6P
7P 	8P 	9P 	10P 	

TYPE Ordering



Connector



www.rhtecp.com

connectors industrial circular Series

RE-C-225-M16 Connectors Industrial Circular Series

Safety approval : UL Water proof IP L 55
 Subminiature aviation linkers are widely used for the Hi-Tech trade. The appearances of the products has two kinds, plug-type and thread type. Used in the installation of the panel, small, exquisite and sensitive. It's nickel-plated and easy to plug-in.

Electrical Characteristics:

Rated current: 2-4P: 7A
 5P: 5A
 6-10P: 4A

Rated Voltage: 125V

Operation Voltage: 200 VAC

Withstanding Voltage : 1500 VAC

Insulation resistance : 2000MA DC 500V

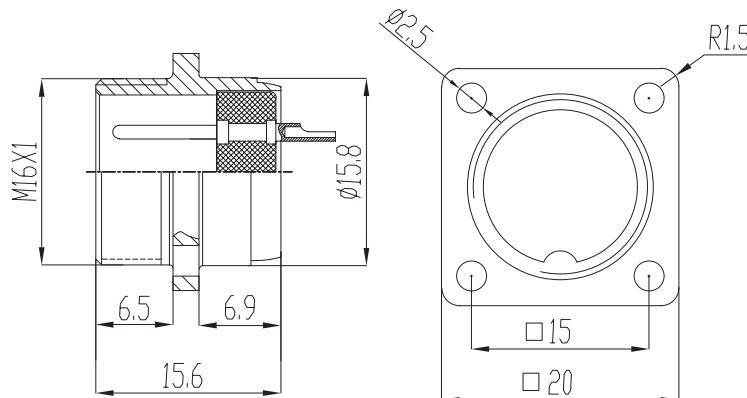
Contact resistance: 10 mA DC1A

Solder cup mouth diameter: 2~4P: 1.6 mm
 5P: 1.2 mm
 6~10P: 0.9 mm

Solder diameter: 2-4P: 2.45 mm
 5P: 2 mm
 6-10P: 1.15 mm



Square flange socket IP55



ORDER INFORMATION

Product No.: RE - C - 225 - M16 - 2 M3

Pos. No. _____

Dental regulations: M16 _____

Number of Contacts: 2#3#4#5#6#7#8#9#10P _____

2P 	3P 	4P 	5P 	6P
7P 	8P 	9P 	10P 	

TYPE Ordering



Connector



www.rhtecp.com

connectors industrial circular Series

RE-C-225-M16 Connectors Industrial Circular Series

Safety approval : UL Water proof I P L 55
 Subminiature aviation linkers are widely used for the Hi-Tech trade. The appearances of the products has two kinds, plug-type and thread type. Used in the installation of the panel, small, exquisite and sensitive. It's nickel-plated and easy to plug-in.

Electrical Characteristics:

Rated current: 2 ~ 4P: 7A
 5P: 5A
 6 ~ 10P: 4A

Rated Voltage: 125V

Operation Voltage: 200 VAC

Withstanding Voltage : 1500 VAC

Insulation resistance : 2000MA DC 500V

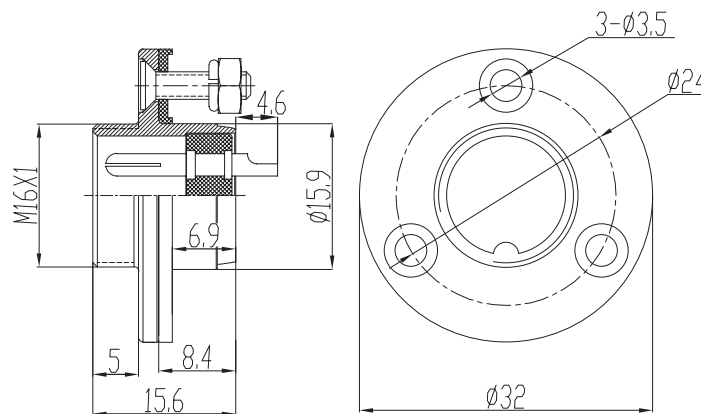
Contact resistance: 10 mA DC1A

Solder cup mouth diameter: 2 ~ 4P: 1.6 mm
 5P: 1.2 mm
 6 ~ 10P: 0.9 mm

Solder diameter: 2 ~ 4P: 2.45mm
 5P: 2 mm
 6 ~ 10P: 1.15mm



Three eye flange socket IP55



ORDER INFORMATION

Product No.: RE - C - 225 - M16 - 2 M4

Pos. No. _____

Dental regulations: M16 _____

Number of Contacts: 2#3#4#5#6#7#8#9#10P _____

2P	3P	4P	5P	6P
7P	8P	9P	10P	

TYPE Ordering

