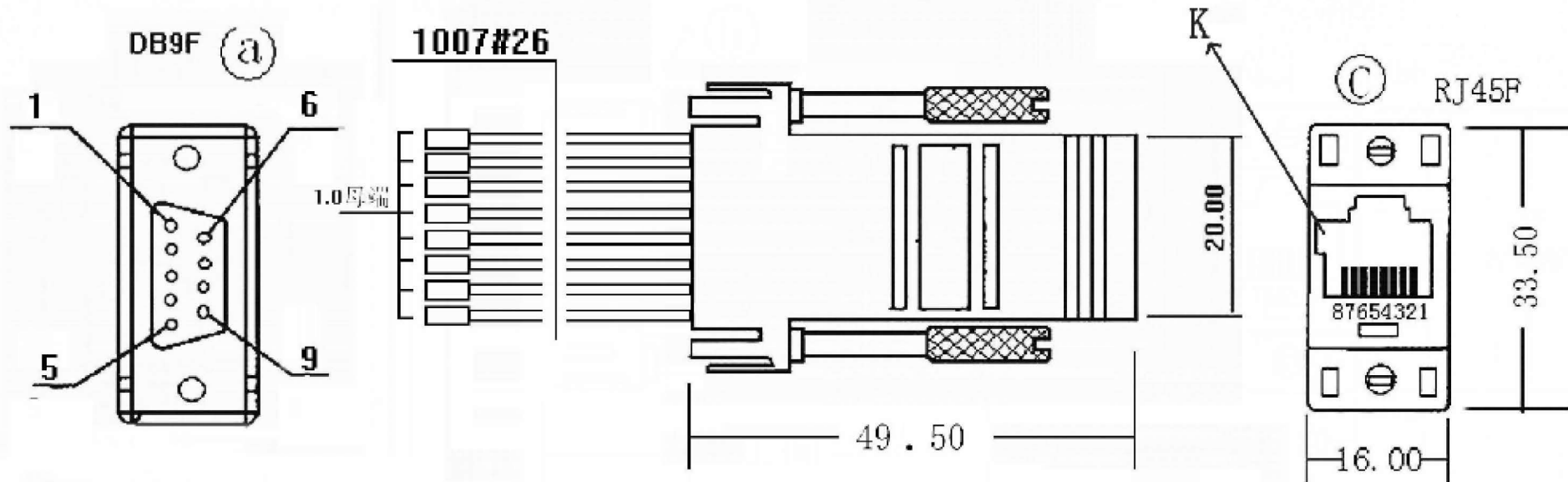


P/N:RE-C-RJ45-DB09F-L37



Material:

a connector:DB09F with terminal RoHS

b housing DB09 To RJ45 Shell,ABS begie color with K version RoHS

c connection: RJ45F/8P8C with K version

Shell:ABS

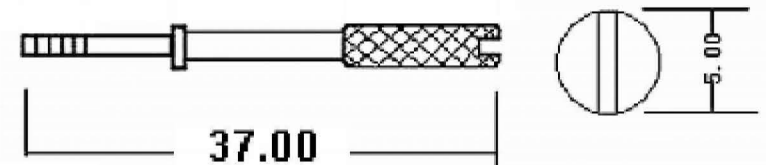
DB09F: Plastic core(PBT+glassfiber), Iron shell(Iron before nickel after tin)

Terminals: Brass Ended Half Gold Nickel Fu Gold

Screw: iron (nickel) 5*37MM head

Wire: PVC+Copper

Gold Pin: Copper (gold plated) FU gold, full PIN



Rj45 DB97

- 1 ——— Blue
- 2 ——— Orange
- 3 ——— Black
- 4 ——— Red
- 5 ——— Green
- 6 ——— Yellow
- 7 ——— Brown
- 8 ——— White