

Specification:

Antenna

Center Frequency: 1568±1MHz

Band Width: CF±10MHz

Polarization: RHCP

Gain: 5dBic (Zenith)

V.S.W.R: <1.5

Impedance: 50Ω

Axial Ratio: 3dB (max)

Dimension: 35×35×3mm

LAN

Gain: 28±2dB

Noise Figure: <1.5

Filter Insertion Loss: <3dB

Ex-band Attenuation: 35dB@CF±50MHz/50dB@CF±100MHz

Supply Voltage: 2.2~5V DC

Current Consumption: 12~26mA

V.S.W.R: <2.0

Cable: RG174

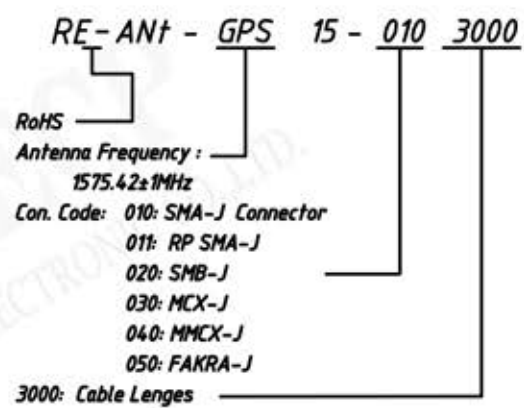
Connector: SMA/MCX/FAKRA or others

Radome Material: ABS

Mounting Method: Magnet

Environmental: Operating Temperature: -40℃~+85℃

Order Information



| | | | | | |
|----------|---------|---------------|-----------|------------|--|
| UNITS:mm | | SHEET SIZE:A4 | | SCALE: --- | |
| > 0~ 3 | > 3~ 18 | > 18~ 50 | > 50~ 120 | | |
| ± 0.12 | ± 0.15 | ± 0.3 | ± 0.5 | | |