

Specification:

Antenna

Center Frequency: 1575.42±1MHz

Band Width: CF±5MHz

Polarization: RHCP

Gain: 2dBi (Zenith)

V.S.W.R: <1.5

Impedance: 50Ω

Dimension: 20x20x4mm

LAN

Gain: 28±2dB

Noise Figure: <2

Ex-band Attenuation: 30dB@CF±40MHz

Supply Voltage: 3~5V DC

Current Consumption: 5~10mA

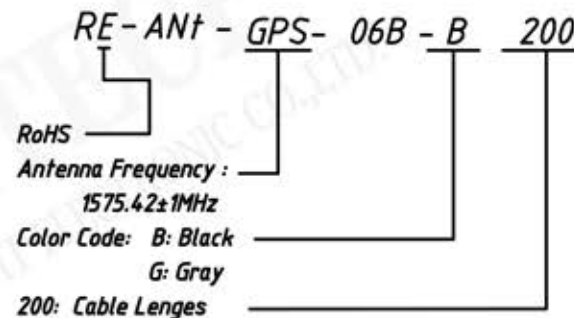
V.S.W.R: <2.0

Cable: RF 1.13

Connector: I-PEX

Environmental: Operating Temperature : -40℃ ~ +85℃

Order Information



| UNITS:mm | | SHEET SIZE:A4 | | SCALE: --- | |
|----------|---------|---------------|-----------|------------|--|
| > 0~ 3 | > 3~ 18 | > 18~ 50 | > 50~ 120 | | |
| ± 0.12 | ± 0.15 | ± 0.3 | ± 0.5 | | |