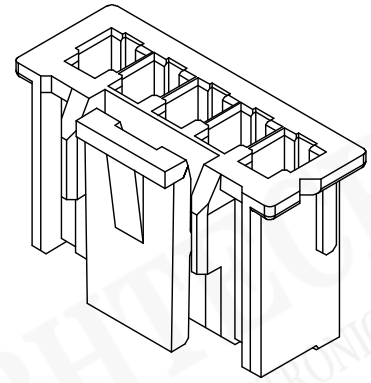
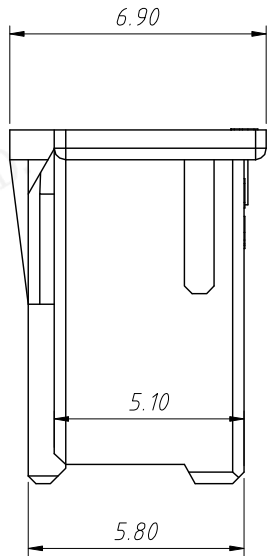
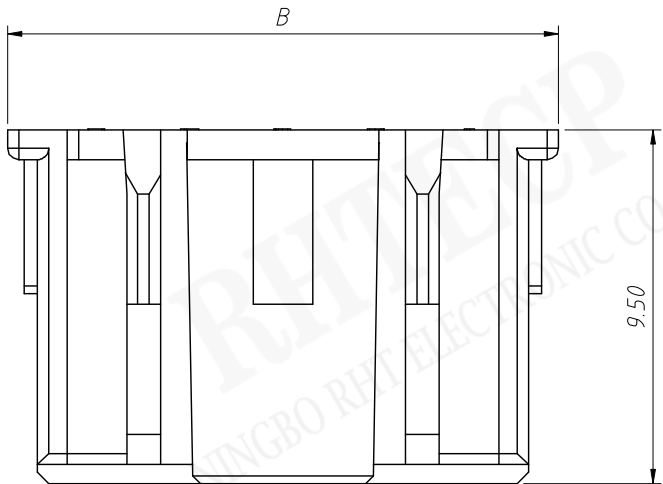


Pin	Dimensions(mm)	
	A	B
02	2.50	7.30
03	5.00	9.80
04	7.50	12.30
05	10.00	14.80
06	12.50	17.30
07	15.00	19.80
08	17.50	22.30
09	20.00	24.80
10	22.50	27.30
11	25.00	29.80
12	27.50	32.30
13	30.00	34.80
14	32.50	37.30
15	35.00	39.80
16	37.50	42.30

Material:
Housing:PA66,UL 94V-0,White

Electrical Characteristics:
Rated Current:3.0AMP
Voltage rating:250V AC,DC
Temperature range:-25°C ~ + 85°C
Insulator Resistance:1000M Ω Min
Withstanding Voltage:1000V AC/mi
Contact Resistance:10m Ω Max



Order Information:
RE - C -2.50A-XX-H

Pitch:2.50mm
XX-No.of 02~16pins

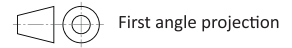
Type: _____

FH /FH2 / H-Housing
FT / MT-Terminal
S / S2-Straight pin
R / R2-Right angle pin
RM / VM-SMT pin

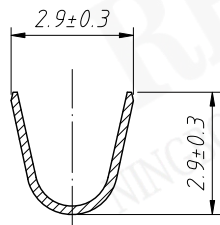
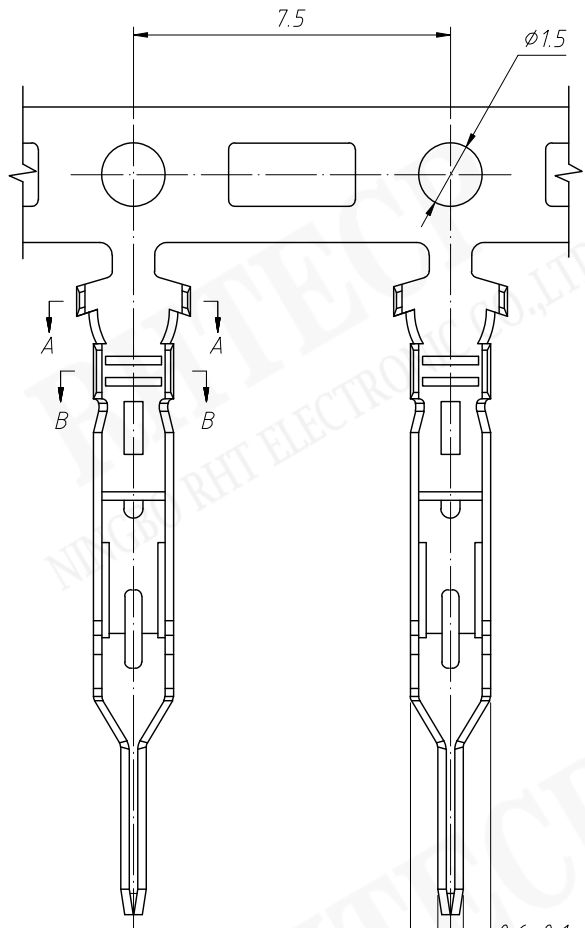


NINGBO RHT ELECTRONIC CO.,LTD

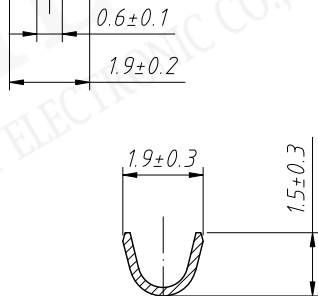
UNITS:mm		SHEET SIZE:A4		SCALE: ---	
> 0 ~ 3	> 3 ~ 18	> 18 ~ 50	> 50 ~ 120		
± 0.12	± 0.15	± 0.3	± 0.5		



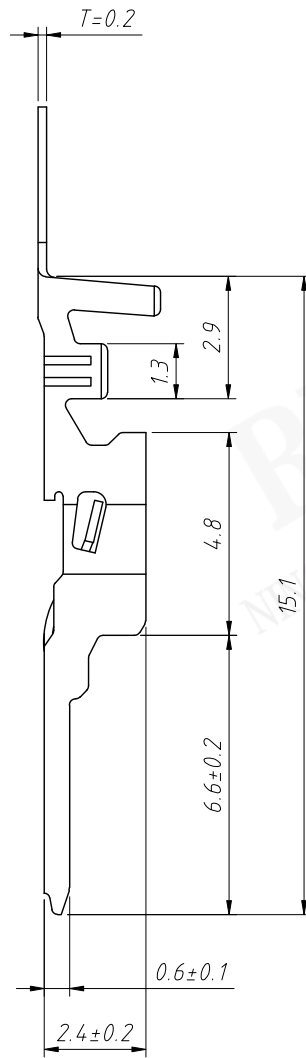
CONNECTOR



SECTION A-A



SECTION B-B



Material:
 Terminal: Phosphor Bronze
 Plating: Tin plated
 Applicable wires: AWG #22 ~ #28
 Insulation O.D: 1.6mm

Electrical Characteristics:
 Rated Current: 3.0AMP
 Voltage rating: 250V AC, DC
 Temperature range: -40°C ~ +105°C
 Insulator Resistance: 1000MΩ Min
 Withstanding Voltage: 1000V AC/minute
 Contact Resistance: 10mΩ Max
 After environmental testing: 20mΩ Max

Order Information:
 RE - C - 2.50A - MT

Pitch: 2.50mm
 Type:
 FH / FH2 / H - Housing
 FT / MT - Terminal
 S / S2 - Straight pin
 R / R2 - Right angle pin
 RM / VM - SMT pin



NINGBO RHT ELECTRONIC CO.,LTD

UNITS:mm

SHEET SIZE:A4

SCALE: ---



First angle projection

> 0 ~ 3

> 3 ~ 18

> 18 ~ 50

> 50 ~ 120

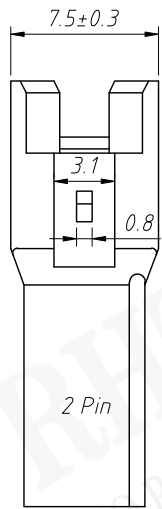
± 0.12

± 0.15

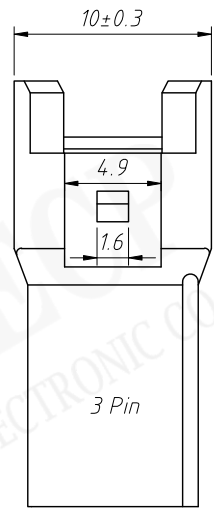
± 0.3

± 0.5

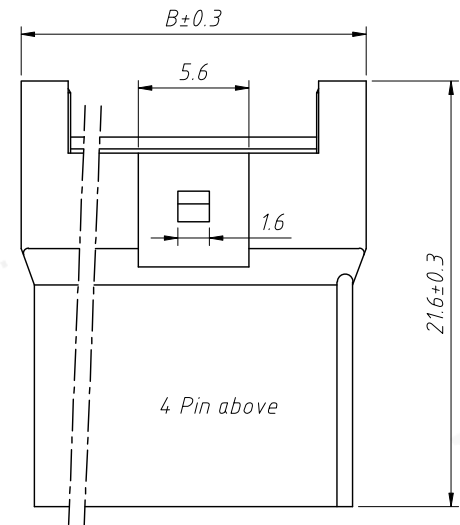
CONNECTOR



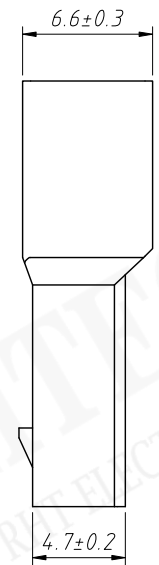
2 Pin



3 Pin

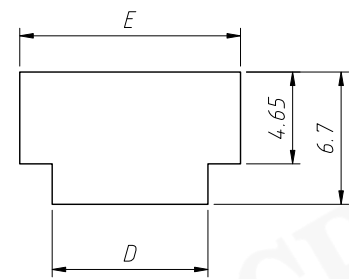
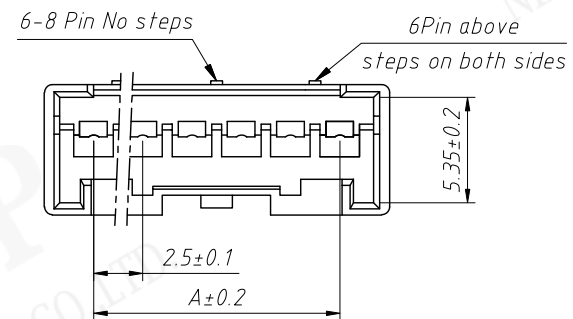
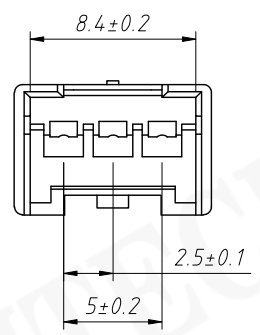
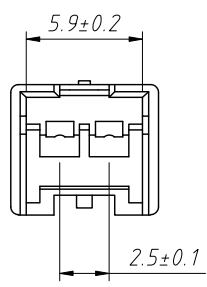


4 Pin above



Material:
Housing:PA66,UL 94 V-0,Natural Color

Electrical Characteristics:
Rated Current:3.0AMP
Voltage rating:250V AC,DC
Temperature range:-40°C ~ + 105°C
Insulator Resistance:1000MΩ Min
Withstanding Voltage:1000V AC/minute
Contact Resistance:20mΩ Max



Order Information:
RE - C - 2.50A-XX-FH

Pitch:2.50mm
XX-No.of 02 ~ 20 pins
Type:
FH /FH2 / H-Housing
FT / MT-Terminal
S / S2-Straight pin
R / R2-Right angle pin
RM / VM-SMT pin

Pin	Dimensions(mm)					Pin	Dimensions(mm)				
	A	B	C	D	E		A	B	C	D	E
02	2.50	7.50	5.90	7.90	11.20	10	22.50	27.50	25.90	27.90	31.20
03	5.00	10.0	8.40	10.40	13.70	11	25.00	30.00	28.40	30.40	33.70
04	7.50	12.50	10.90	12.90	16.20	12	27.50	32.50	30.90	32.90	36.20
05	10.00	15.00	13.40	15.40	18.70	13	30.00	35.00	33.40	35.40	38.70
06	12.50	17.50	15.90	17.90	21.20	14	32.50	37.50	35.90	37.90	41.20
07	15.00	20.00	18.40	20.40	23.70	15	35.00	40.00	38.40	40.40	43.70
08	17.50	22.50	20.90	22.90	26.20	20	47.50	52.50	50.90	52.90	56.20
09	20.00	25.00	23.40	25.40	28.70						

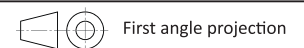


NINGBO RHT ELECTRONIC CO.,LTD

UNITS:mm

SHEET SIZE:A4

SCALE: ---



> 0 ~ 3

> 3 ~ 18

> 18 ~ 50

> 50 ~ 120

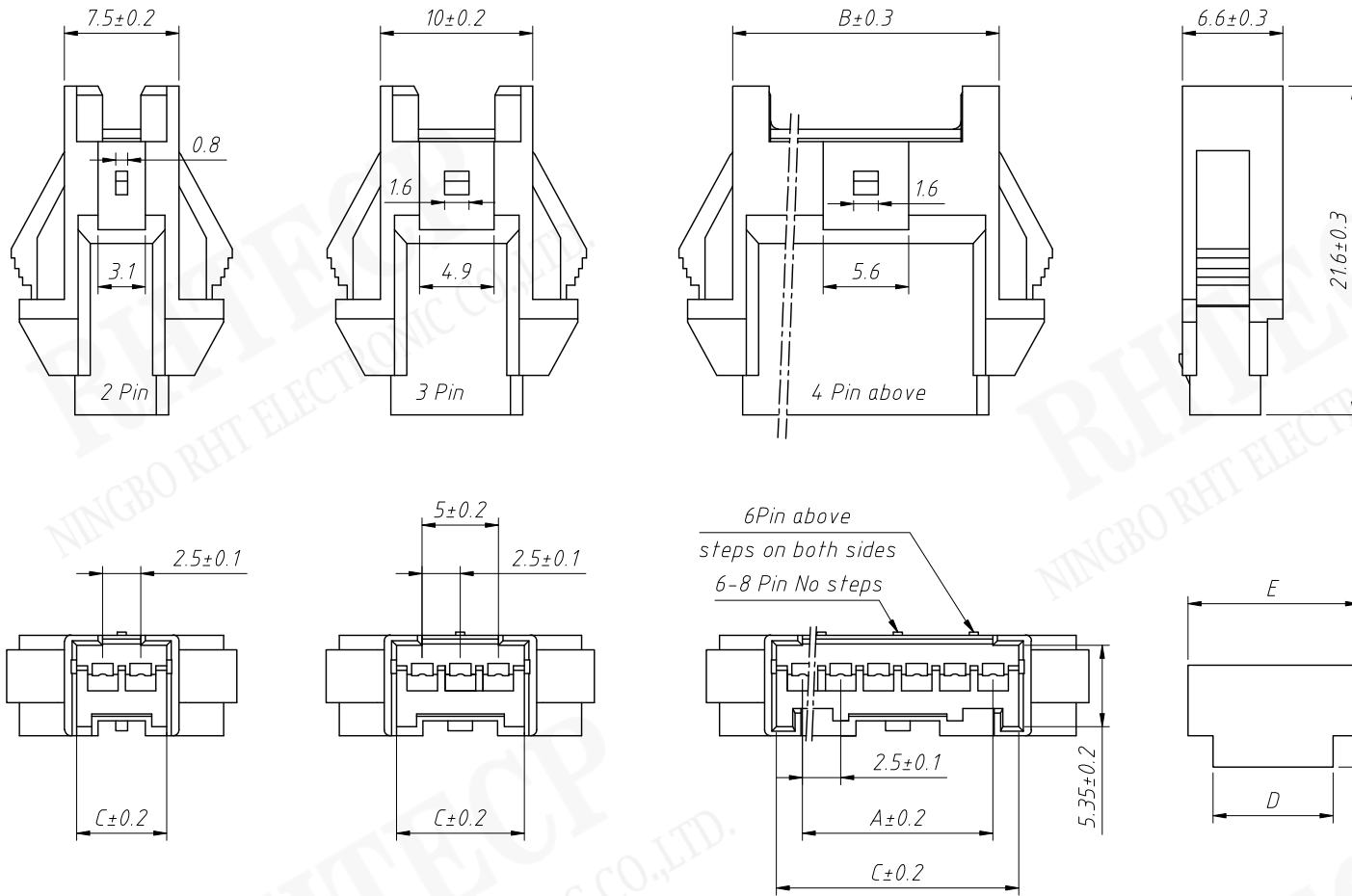
± 0.12

± 0.15

± 0.3

± 0.5

CONNECTOR



Material:
Housing:PA66,UL 94 V-0,Natural Color

Electrical Characteristics:
Rated Current:3.0AMP
Voltage rating:250V AC,DC
Temperature range:-40°C ~ + 105°C
Insulator Resistance:1000MΩ Min
Withstanding Voltage:1000V AC/minut
Contact Resistance:20mΩ Max

Order Information:
RE - C-2.50A-XX-FH2

Pitch:2.50mm
XX-No.of 02 ~ 20 pins
Type:
FH /FH2 / H-Housing
FT / MT-Terminal
S / S2-Straight pin
R / R2-Right angle pin
RM / VM-SMT pin

Pin	Dimensions(mm)					Pin	Dimensions(mm)				
	A	B	C	D	E		A	B	C	D	E
02	2.50	7.50	5.90	7.90	11.20	10	22.50	27.50	25.90	27.90	31.20
03	5.00	10.0	8.40	10.40	13.70	11	25.00	30.00	28.40	30.40	33.70
04	7.50	12.50	10.90	12.90	16.20	12	27.50	32.50	30.90	32.90	36.20
05	10.00	15.00	13.40	15.40	18.70	13	30.00	35.00	33.40	35.40	38.70
06	12.50	17.50	15.90	17.90	21.20	14	32.50	37.50	35.90	37.90	41.20
07	15.00	20.00	18.40	20.40	23.70	15	35.00	40.00	38.40	40.40	43.70
08	17.50	22.50	20.90	22.90	26.20	20	47.50	52.50	50.90	52.90	56.20
09	20.00	25.00	23.40	25.40	28.70						



NINGBO RHT ELECTRONIC CO.,LTD

UNITS:mm

SHEET SIZE:A4

SCALE: ---

> 0 ~ 3

> 3 ~ 18

> 18 ~ 50

> 50 ~ 120

± 0.12

± 0.15

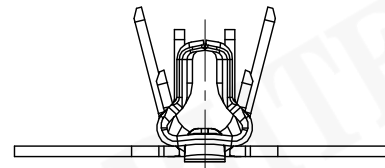
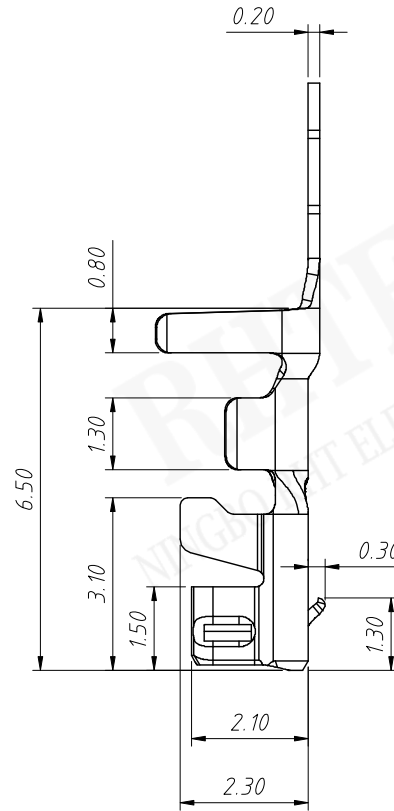
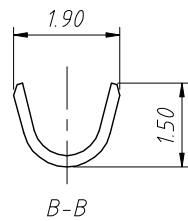
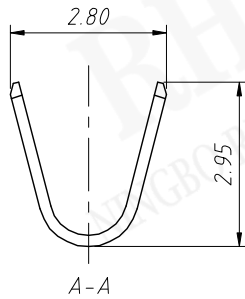
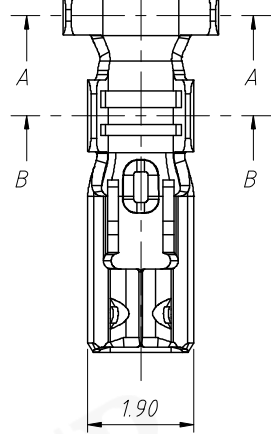
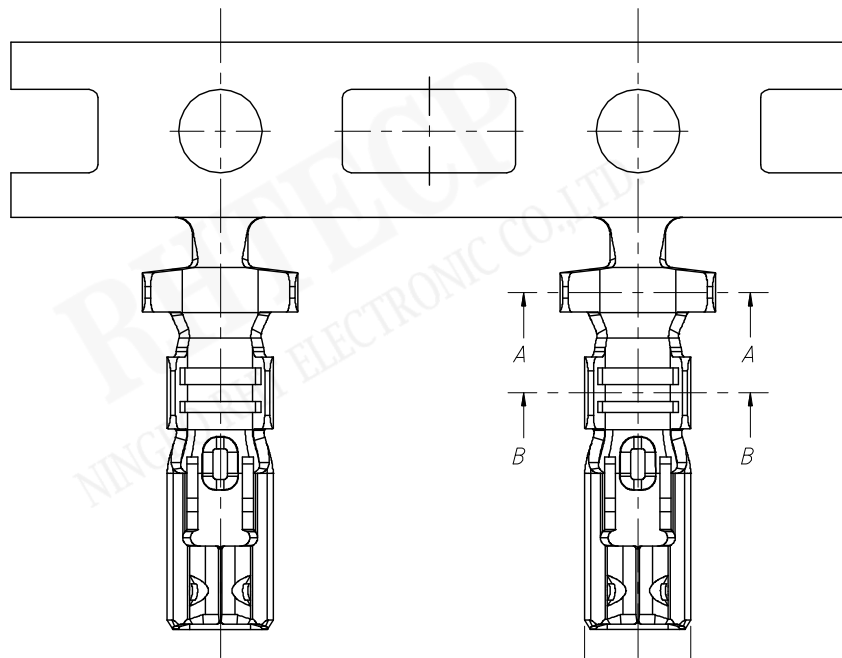
± 0.3

± 0.5



First angle projection

CONNECTOR



Material:
 Terminal: Phosphor Bronze
 Plating: Tin plated
 Applicable wires: AWG #20 ~ #28
 Insulation O.D: 1.9mm
 Qty/reel: 8000 pcs

Electrical Characteristics:
 Rated Current: 3.0AMP
 Voltage rating: 250V AC, DC
 Temperature range: -25°C ~ +85°C
 Insulator Resistance: 1000M Ω Min
 Withstanding Voltage: 1000V AC/minute
 Contact Resistance: 10m Ω Max

Order Information:
 RE - C - 2.50A - FT

Pitch: 2.50mm
 Type: _____
 FH / FH2 / H - Housing
 FT / MT - Terminal
 S / S2 - Straight pin
 R / R2 - Right angle pin
 RM / VM - SMT pin



NINGBO RHT ELECTRONIC CO.,LTD

UNITS:mm

> 0 ~ 3
 \pm 0.12

SHEET SIZE:A4

> 3 ~ 18
 \pm 0.15

SCALE: ---

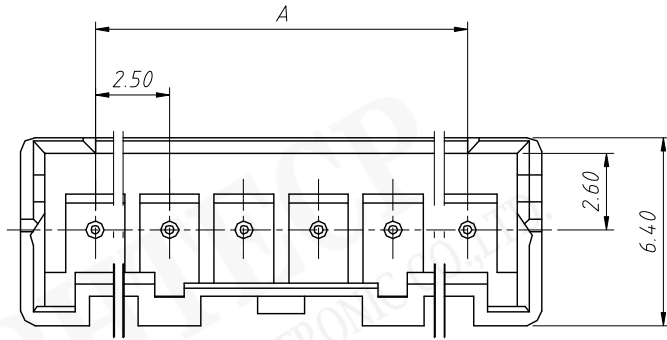
> 18 ~ 50
 \pm 0.3

> 50 ~ 120
 \pm 0.5

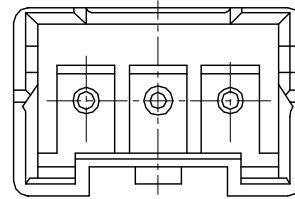


First angle projection

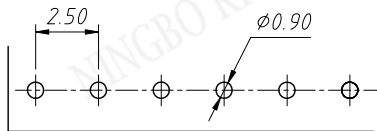
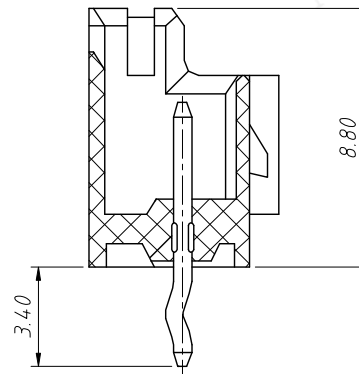
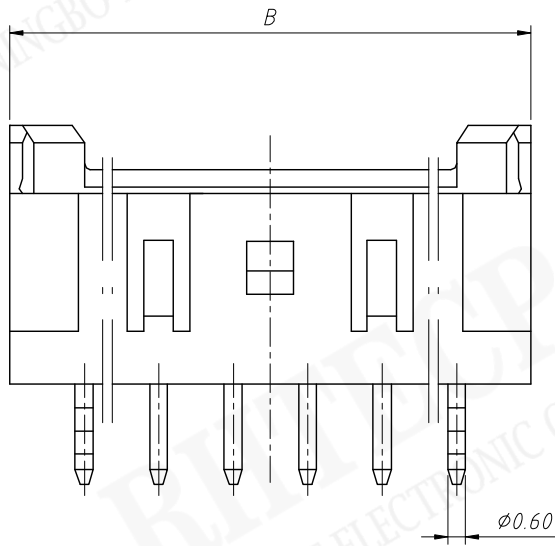
CONNECTOR



04P Above



02P ~ 03P



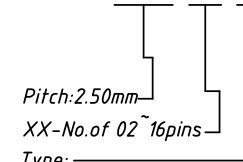
PCB LAYOUT

Material:
 PIN: Phosphor Bronze, Tin-plated
 Wafer: PA66, UL 94V-0, Natural

Electrical Characteristics:
 Rated Current: 3.0AMP
 Voltage rating: 250V AC, DC
 Temperature range: -25°C ~ +85°C
 Insulator Resistance: 1000MΩ Min
 Withstanding Voltage: 1000V AC/minu
 Contact Resistance: 10mΩ Max

Pin	Dimensions(mm)	
	A	B
02	2.50	7.50
03	5.00	10.00
04	7.50	12.50
05	10.00	15.00
06	12.50	17.50
07	15.00	20.00
08	17.50	22.50
09	20.00	25.00
10	22.50	27.50
11	25.00	30.00
12	27.50	32.50
13	30.00	35.00
14	32.50	37.50
15	35.00	40.00
16	37.50	42.50

Order Information:
 RE - C - 2.50A - XX - S



Type: —
 FH / FH2 / H-Housing
 FT / MT-Terminal
 S / S2-Straight pin
 R / R2-Right angle pin
 RM / VM-SMT pin



NINGBO RHT ELECTRONIC CO.,LTD

UNITS:mm

SHEET SIZE:A4

SCALE: ---



First angle projection

> 0 ~ 3

> 3 ~ 18

> 18 ~ 50

> 50 ~ 120

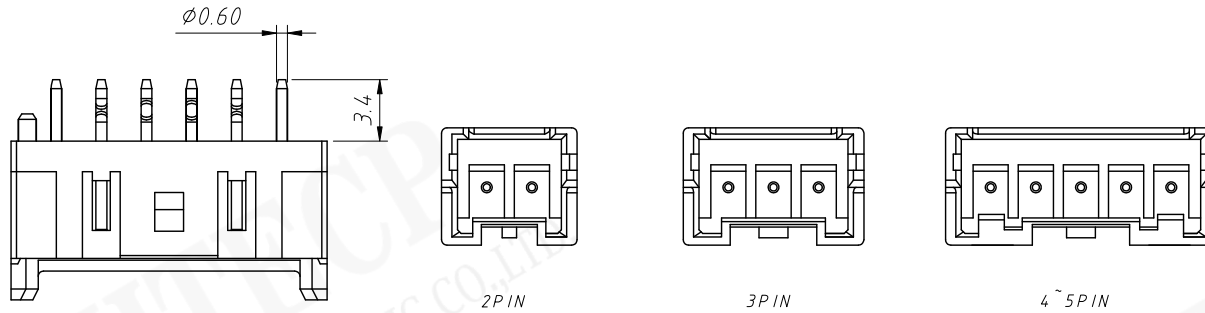
± 0.12

± 0.15

± 0.3

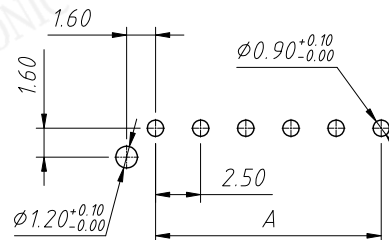
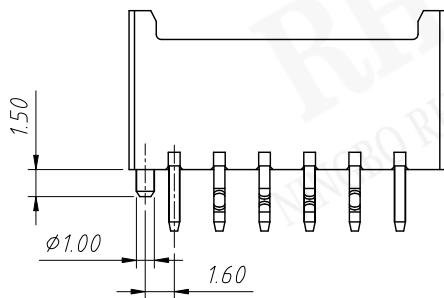
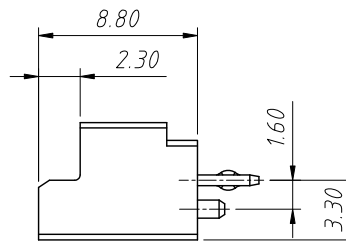
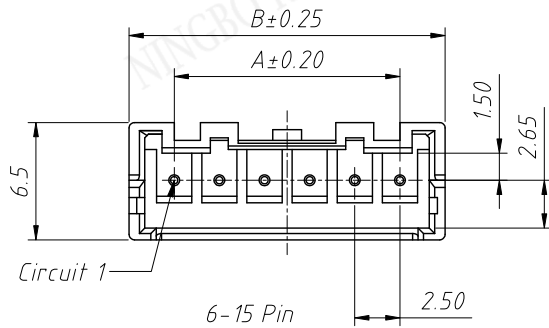
± 0.5

CONNECTOR



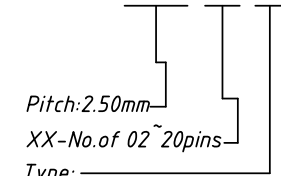
Material:
 Pin: Brass, Tin-plated
 Wafer: PA66, UL 94V-0, Natural

Electrical Characteristics:
 Rated Current: 3.0AMP
 Voltage rating: 250V AC, DC
 Temperature range: -40°C ~ +105°C
 Insulator Resistance: 1000M Ω Min
 Withstanding Voltage: 1000V AC/minut
 Contact Resistance: 10m Ω Max
 After environmental testing: 20m Ω Max

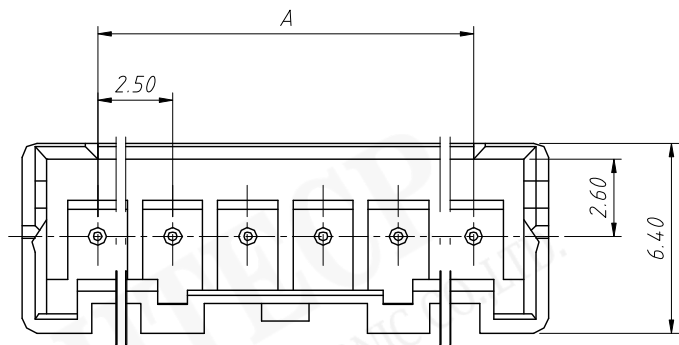


Pin	Dimensions(mm)	
	A	B
02	2.50	7.50
03	5.00	10.00
04	7.50	12.50
05	10.00	15.00
06	12.50	17.50
07	15.00	20.00
08	17.50	22.50
09	20.00	25.00
10	22.50	27.50
11	25.00	30.00
12	27.50	32.50
13	30.00	35.00
-	-	-
20	47.50	52.50

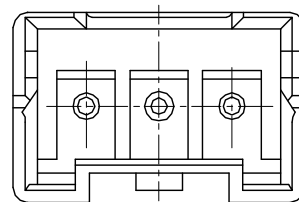
Order Information:
 RE - C - 2.50A - XX - S2



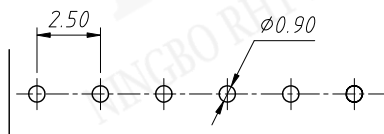
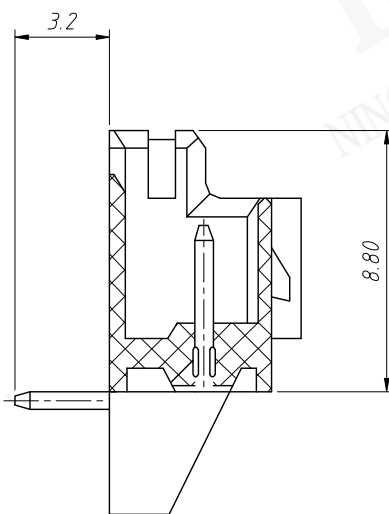
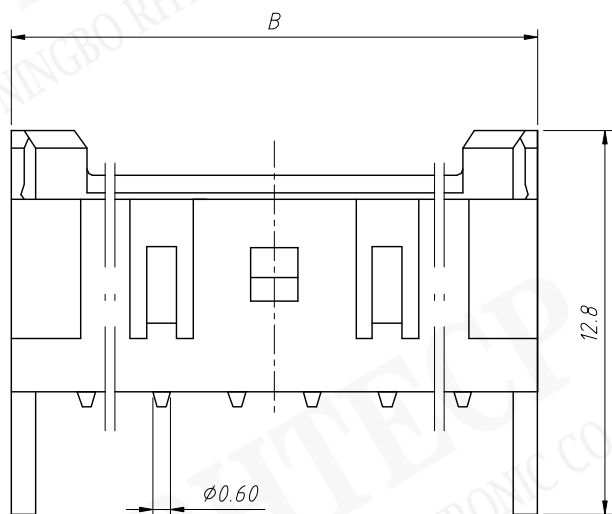
Type: _____
 FH / FH2 / H - Housing
 FT / MT - Terminal
 S / S2 - Straight pin
 R / R2 - Right angle pin
 RM / VM - SMT pin



04P Above



02P~03P



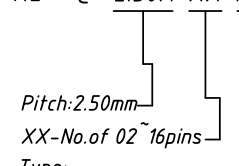
PCB LAYOUT

Material:
 PIN:Phosphor Bronze,Tin-plated
 Wafer:PA66, UL 94V-0,Natrual

Electrical Characteristics:
 Rated Current:3.0AMP
 Voltage rating:250V AC,DC
 Temperature range:-25°C ~ + 85°C
 Insulator Resistance:1000M Ω Min
 Withstanding Voltage:1000V AC/minut
 Contact Resistance:10m Ω Max

Pin	Dimensions(mm)	
	A	B
02	2.50	7.50
03	5.00	10.00
04	7.50	12.50
05	10.00	15.00
06	12.50	17.50
07	15.00	20.00
08	17.50	22.50
09	20.00	25.00
10	22.50	27.50
11	25.00	30.00
12	27.50	32.50
13	30.00	35.00
14	32.50	37.50
15	35.00	40.00
16	37.50	42.50

Order Information:
 RE - C -2.50A-XX-R



Type:
 FH /FH2 / H-Housing
 FT / MT-Terminal
 S / S2-Straight pin
 R / R2-Right angle pin
 RM / VM-SMT pin



NINGBO RHT ELECTRONIC CO.,LTD

UNITS:mm

SHEET SIZE:A4

SCALE:---



First angle projection

> 0 ~ 3

> 3 ~ 18

> 18 ~ 50

> 50 ~ 120

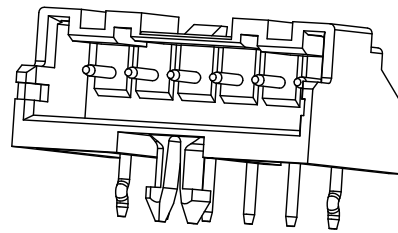
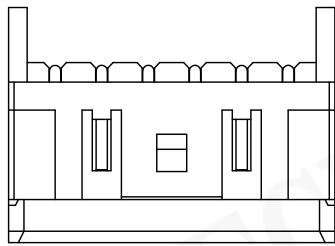
± 0.12

± 0.15

± 0.3

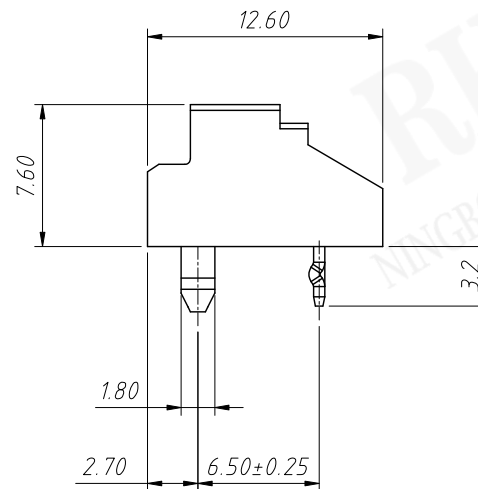
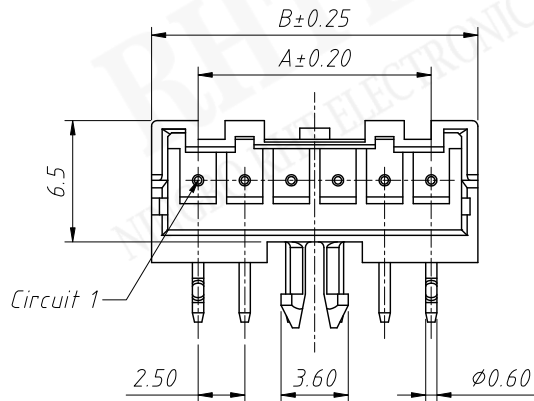
± 0.5

CONNECTOR



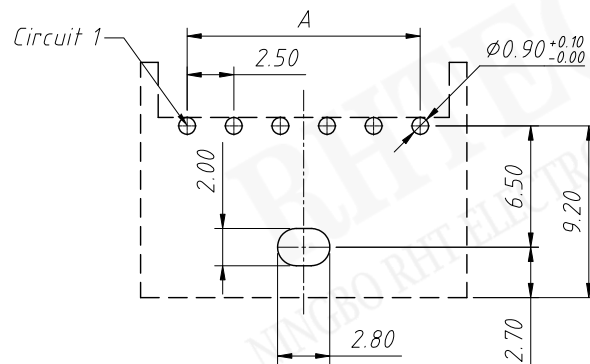
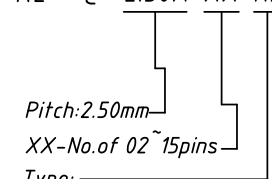
Material:
 PIN:Phosphor Bronze,Tin-plated
 Wafer:PA66, UL94V-0,Natrual

Electrical Characteristics:
 Rated Current:3.0AMP
 Voltage rating:250V AC,DC
 Temperature range:-25°C ~ + 85°C
 Insulator Resistance:1000M Ω Min
 Withstanding Voltage:1000V AC/minute
 Contact Resistance:10m Ω Max



Pin	Dimensions(mm)	
	A	B
02	2.50	7.50
03	5.00	10.00
04	7.50	12.50
05	10.00	15.00
06	12.50	17.50
07	15.00	20.00
08	17.50	22.50
09	20.00	25.00
10	22.50	27.50
11	25.00	30.00
12	27.50	32.50
13	30.00	35.00
14	32.50	37.50
15	35.00	40.00

Order Information:
 RE - C - 2.50A - XX - R2



RECOMMENDED P.C.B LAYOUT T=1.60mm
 (TOLERANCE:±0.05)



NINGBO RHT ELECTRONIC CO.,LTD

UNITS:mm

SHEET SIZE:A4

SCALE: ---



First angle projection

> 0 ~ 3

> 3 ~ 18

> 18 ~ 50

> 50 ~ 120

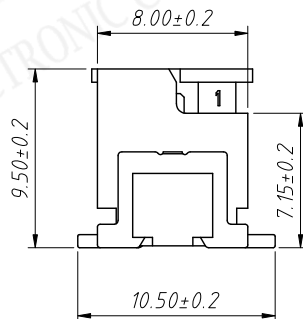
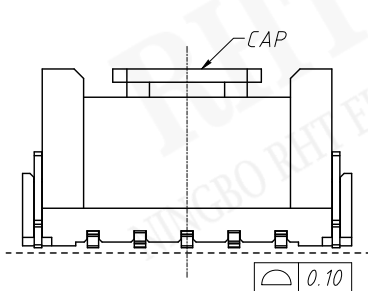
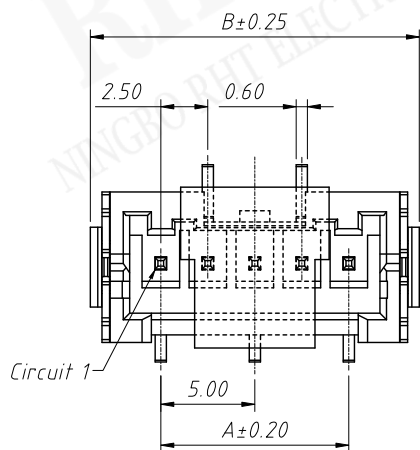
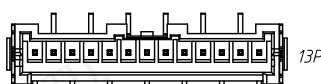
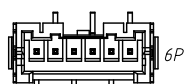
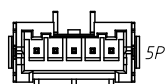
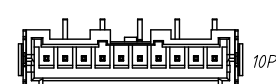
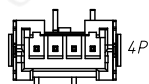
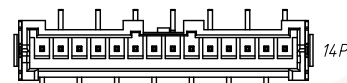
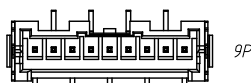
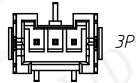
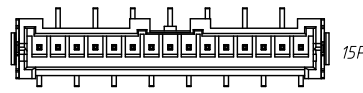
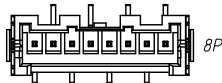
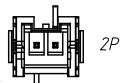
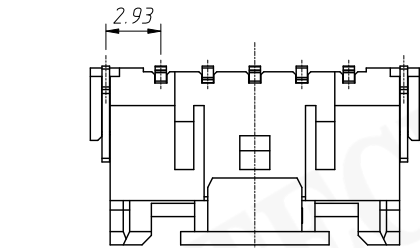
± 0.12

± 0.15

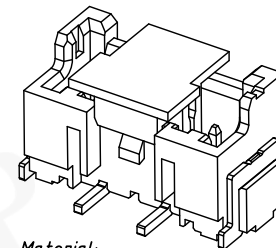
± 0.3

± 0.5

CONNECTOR



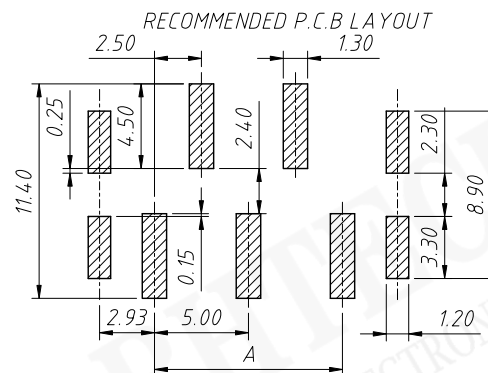
Pin	Dimensions(mm)	
	A	B
02	2.50	10.00
03	5.00	12.50
04	7.50	15.00
05	10.00	17.50
06	12.50	20.00
07	15.00	22.50
08	17.50	25.00
09	20.00	27.50
10	22.50	30.00
11	25.00	32.50
12	27.50	35.00
13	30.00	37.50
14	32.50	40.00
15	35.00	42.50



Material:
Pin: Brass, Tin-plated
Wafer: PA9T, UL94V-0, Natural

Electrical Characteristics:
Rated Current: 3.0AMP
Voltage rating: 250V AC, DC
Temperature range: -40°C ~ +105°C
Insulator Resistance: 1000MΩ Min
Withstanding Voltage: 1000V AC/minute
Contact Resistance: 10mΩ Max
After environmental testing: 20mΩ Max

Order Information:
RE - C - 2.50A - XX - VM - X



Pitch: 2.50mm
XX - No. of 02 ~ 15 pins
Type: _____
FH / FH2 / H - Housing
FT / MT - Terminal
S / S2 - Straight pin
R / R2 - Right angle pin
RM / VM - SMT pin
Packing: _____
0 = PE Bag R = Reel M = Reel + Mylar



NINGBO RHT ELECTRONIC CO., LTD

UNITS: mm

SHEET SIZE: A4

SCALE: ---

> 0 ~ 3
± 0.12

> 3 ~ 18
± 0.15

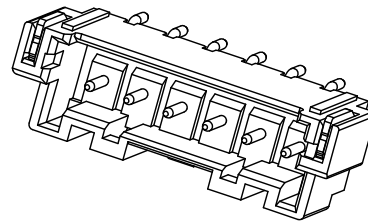
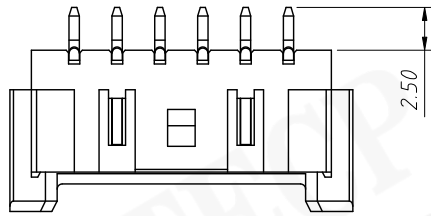
> 18 ~ 50
± 0.3

> 50 ~ 120
± 0.5



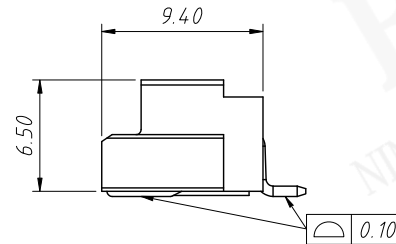
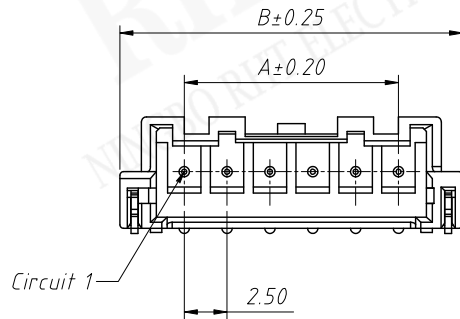
First angle projection

CONNECTOR



Material:
Pin: Brass, Tin-plated
Wafer: PA9T, UL 94 V-0, Natural

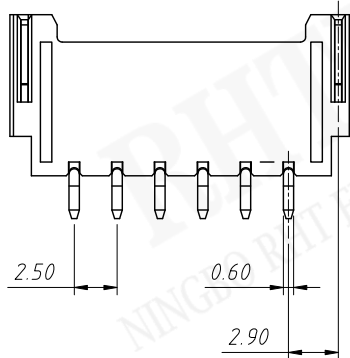
Electrical Characteristics:
Rated Current: 3.0AMP
Voltage rating: 250V AC, DC
Temperature range: -40°C ~ +105°C
Insulator Resistance: 1000MΩ Min
Withstanding Voltage: 1000V AC/minute
Contact Resistance: 10mΩ Max
After environmental testing: 20mΩ Max



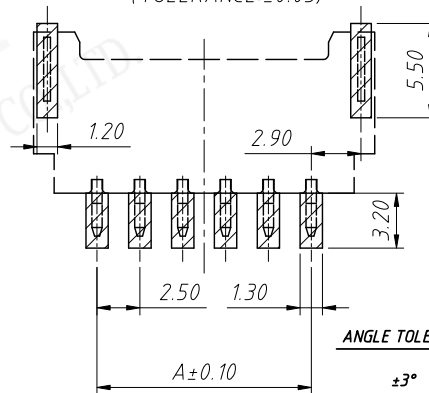
Pin	Dimensions (mm)	
	A	B
02	2.50	10.00
03	5.00	12.50
04	7.50	15.00
05	10.00	17.50
06	12.50	20.00
07	15.00	22.50
08	17.50	25.00
09	20.00	27.50
10	22.50	30.00
11	25.00	32.50
12	27.50	35.00
13	30.00	37.50
14	32.50	40.00
15	35.00	42.50

Order Information:
RE - C - 2.50A - XX - RM - X

Pitch: 2.50mm
XX - No. of 02 ~ 15 pins
Type: _____
FH / FH2 / H - Housing
FT / MT - Terminal
S / S2 - Straight pin
R / R2 - Right angle pin
RM / VM - SMT pin
Packing: _____
0 = PE Bag R = Reel M = Reel + Mylar



RECOMMENDED P.C.B LAYOUT T=1.60mm
(TOLERANCE: ±0.05)



ANGLE TOLERANCE	PROJECTION	Description: 2.50mm Pitch JST XA Type Wire To Board Connector
±3°		
GENERAL TOLERANCE	UNITS	KLS P/N: L-KLS1-2.50A-XX-RM-X
	mm	



NINGBO RHT ELECTRONIC CO.,LTD

UNITS:mm

SHEET SIZE:A4

SCALE: ---



First angle projection

> 0 ~ 3

> 3 ~ 18

> 18 ~ 50

> 50 ~ 120

± 0.12

± 0.15

± 0.3

± 0.5

CONNECTOR