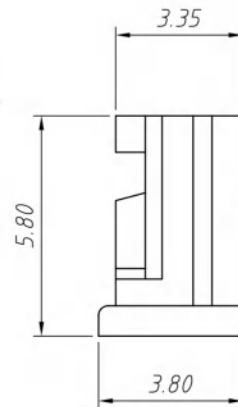
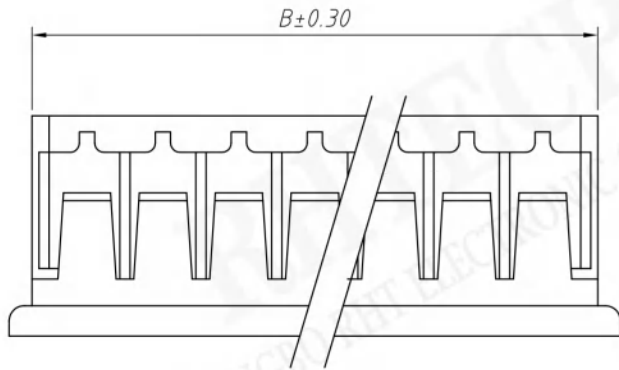


Pin	Dimensions (mm)	
	A	B
02	2.00	4.90
03	4.00	6.90
04	6.00	8.90
05	8.00	10.90
06	10.00	12.90
07	12.00	14.90
08	14.00	16.90
09	16.00	18.90
10	18.00	20.90
11	20.00	22.90
12	22.00	24.90
13	24.00	26.90
14	26.00	28.90
15	28.00	30.90



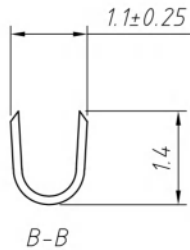
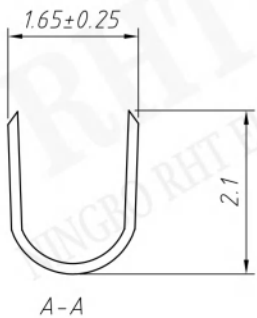
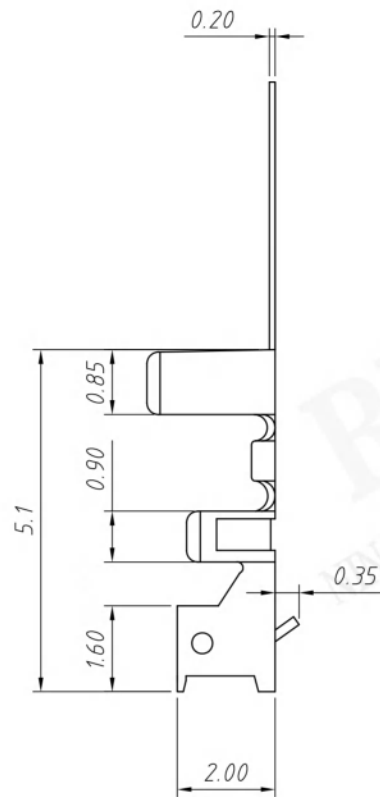
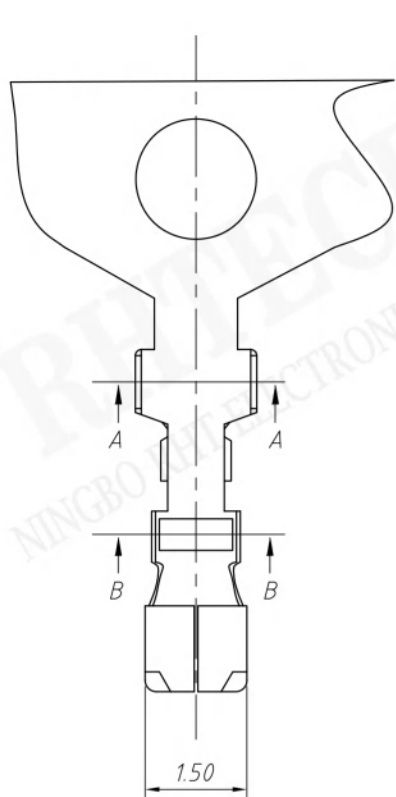
Material:
Housing: PA66, UL 94V-0

Electrical Characteristics:
Rated Current: 2.0AMP
Voltage rating: 125V AC, DC
Temperature range: -25°C ~ +85°C
Insulator Resistance: 1000MΩ Min
Withstand Voltage: 800V AC/DC
Contact Resistance: 20mΩ Max

Order Information:
RE - C - XL3M-2.00-XX-H

Pitch: 2.00mm
XX - No. of 02 ~ 15 pins
Type: _____
T - Terminal H - Housing
S - Straight male pin
R - Right angle male pin

UNITS:mm	SHEET SIZE:A4		SCALE: ---
> 0 ~ 3	> 3 ~ 18	> 18 ~ 50	> 50 ~ 120
± 0.12	± 0.15	± 0.3	± 0.5



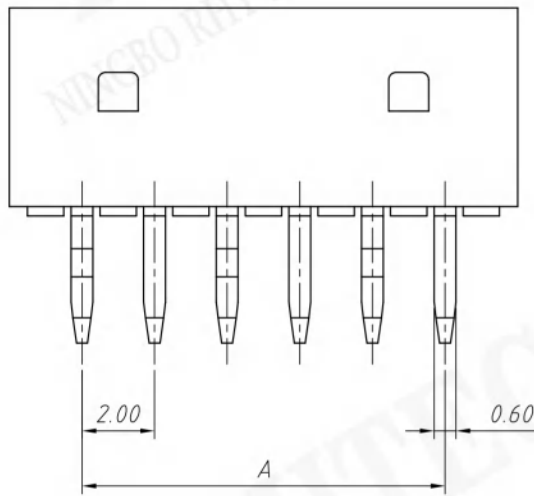
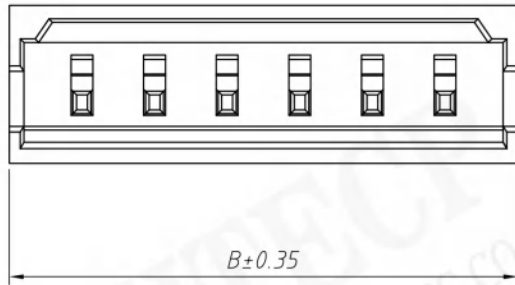
Material:
 Terminal: Phosphor Bronze
 Plating: Tin plated
 Applicable wires: AWG #24 ~ #30
 Insulation O.D.: 1.40mm Max
 Qty/reel: 10000 pcs

Electrical Characteristics:
 Rated Current: 2.0AMP
 Voltage rating: 125V AC, DC
 Temperature range: -25°C ~ +85°C
 Insulator Resistance: 1000MΩ Min
 Withstand Voltage: 800V AC/DC
 Contact Resistance: 20mΩ Max

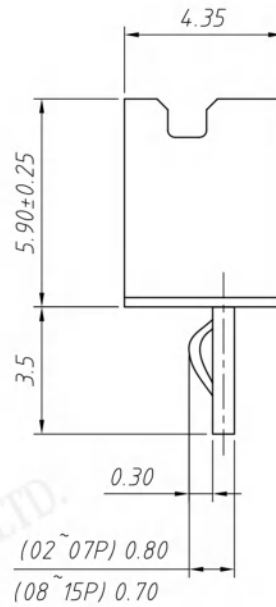
Order Information:
 RE - C - XL3M - 2.00 - T

Pitch: 2.00mm
 Type: _____
 T - Terminal H - Hosing
 S - Straight male pin
 R - Right angle male pin

UNITS:mm		SHEET SIZE:A4		SCALE: ---	
> 0 ~ 3	> 3 ~ 18	> 18 ~ 50	> 50 ~ 120		
± 0.12	± 0.15	± 0.3	± 0.5		



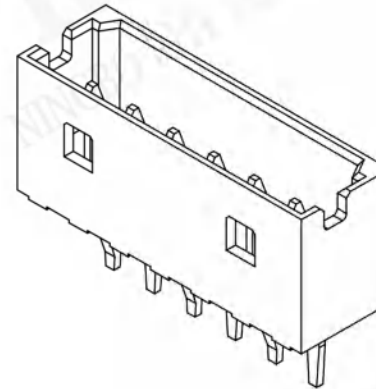
Recommended PCB Layout



Material:
Housing: PA66, UL 94 V-0
Contact: Brass
Plating: Tin Plated over Nickel

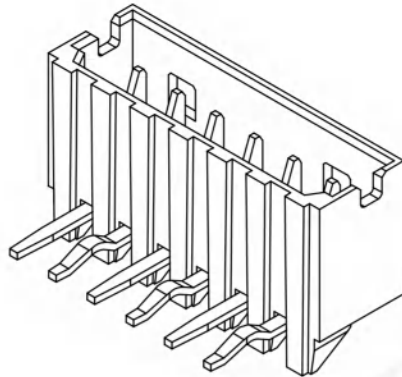
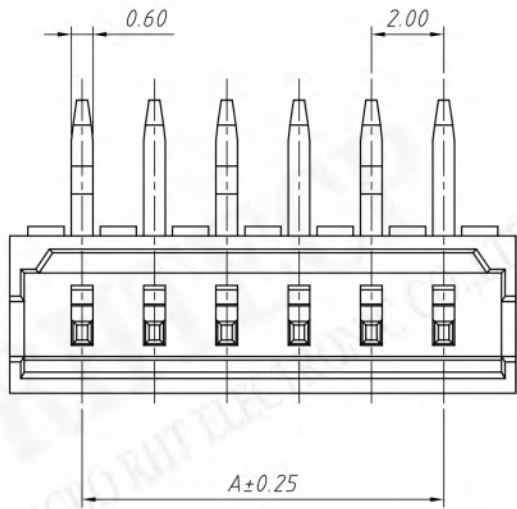
Electrical Characteristics:
Rated Current: 2.0AMP
Voltage rating: 125V AC, DC
Temperature range: -25°C ~ +85°C
Insulator Resistance: 1000MΩ Min
Withstand Voltage: 800V AC/DC
Contact Resistance: 20mΩ Max

Pin	Dimensions (mm)	
	A	B
02	2.00	6.00
03	4.00	8.00
04	6.00	10.00
05	8.00	12.00
06	10.00	14.00
07	12.00	16.00
08	14.00	18.00
09	16.00	20.00
10	18.00	22.00
11	20.00	24.00
12	22.00	26.00
13	24.00	28.00
14	26.00	30.00
15	28.00	32.00



Order Information:
RE - C-XL3M-2.00-XX-S

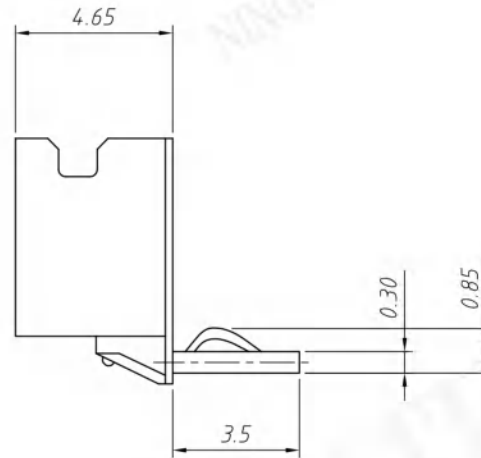
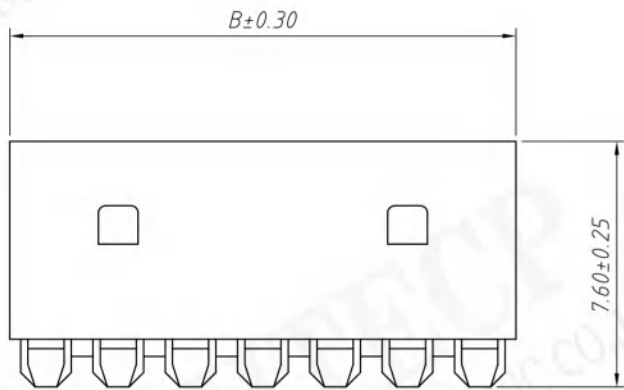
Pitch: 2.00mm
XX-No. of 02~15 pins
Type: _____
T-Terminal H-Housing
S-Straight male pin
R-Right angle male pin



Material:
 Housing:PA66,UL 94V-0
 Contact:Brass
 Plating: Tin Plated over Nickel

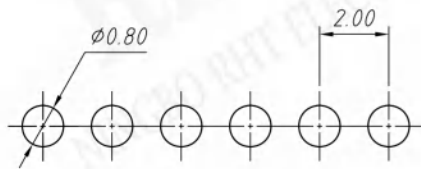
Electrical Characteristics:
 Rated Current:2.0AMP
 Voltage rating:125V AC,DC
 Temperature range:-25°C ~ + 85°C
 Insulator Resistance:1000MΩ Min
 Withstand Voltage:800V AC/DC
 Contact Resistance:20mΩ Max

Pin	Dimensions(mm)	
	A	B
02	2.00	6.00
03	4.00	8.00
04	6.00	10.00
05	8.00	12.00
06	10.00	14.00
07	12.00	16.00
08	14.00	18.00
09	16.00	20.00
10	18.00	22.00
11	20.00	24.00
12	22.00	26.00
13	24.00	28.00
14	26.00	30.00
15	28.00	32.00



Order Information:
 RE - C - XL3M-2.00-XX-R

Pitch:2.00mm
 XX-No.of 02 ~ 15 pins
 Type:
 T-Terminal H-Hosing
 S-Straight male pin
 R-Right angle male pin



Recommended PCB Layout