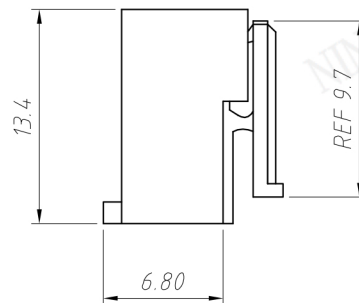
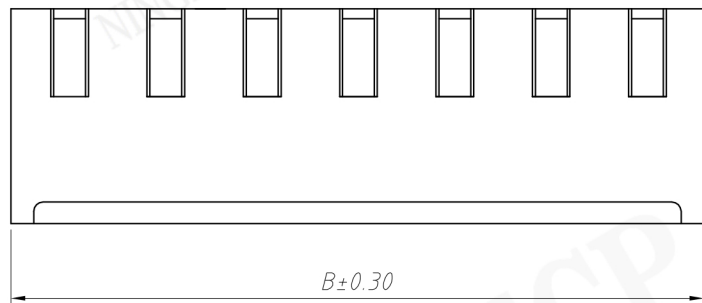


Material:  
Housing:PA66,UL94V-0

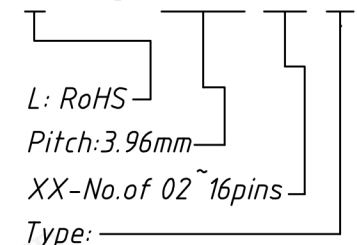
Electrical Characteristics:  
Rated Current:7.0AMP  
Voltage rating:250V AC,DC  
Temperature range:-25°C ~ +85°C  
Insulator Resistance:1000MΩ Min  
Withstanding Voltage:1500V AC/minute  
Contact Resistance:20mΩ Max



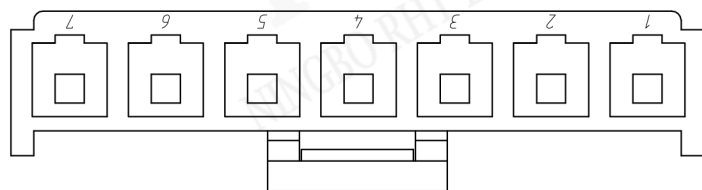
Pins	Dimensions	
	A	B
02	3.96	7.92
03	7.92	11.88
04	11.88	15.84
05	15.84	19.80
06	19.80	23.76
07	23.76	27.72
08	27.72	31.68
09	31.68	35.64
10	35.64	39.60
11	39.60	43.56
12	43.56	47.52
13	47.52	51.48
14	51.48	55.44
15	55.44	59.40
16	59.40	63.36

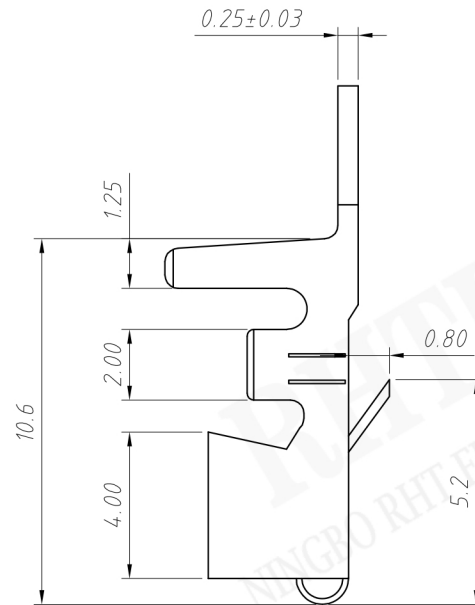
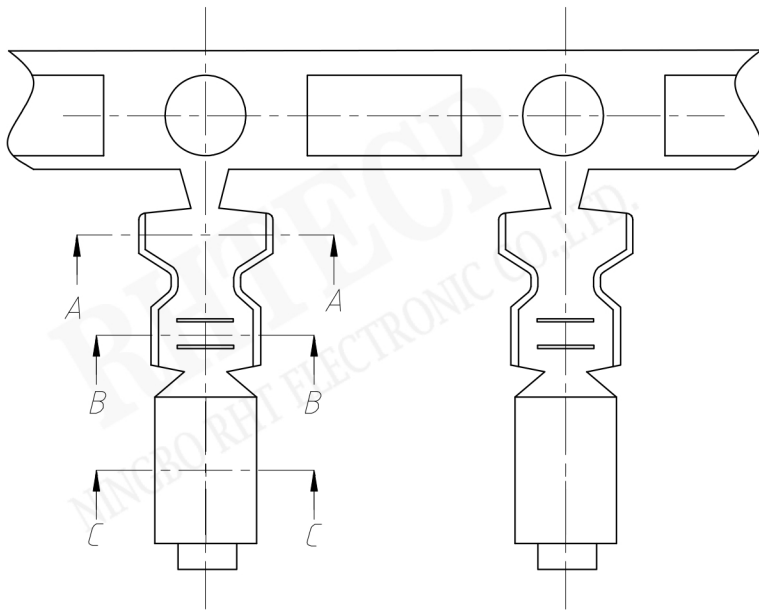
Order Information:

RE - C - 3.96A - XX - H



Type: \_\_\_\_\_  
H-Hosing T-Terminal  
S-Straight male pin  
R-Right angle male pin  
VM-Vertical SMT Pin  
RM-Horizontal SMT Pin





Material:  
Terminal: Brass or Phosphor Bronze  
Plating: Tin plated over Nickel  
Applicable wires: AWG #22 ~ #18  
Insulation O.D: 2.8mm  
Qty/reel: 3000 pcs

Electrical Characteristics:  
Rated Current: 7.0AMP  
Voltage rating: 250V AC, DC  
Temperature range: -25°C ~ +85°C  
Insulator Resistance: 1000MΩ Min  
Withstanding Voltage: 1500V AC/minute  
Contact Resistance: 20mΩ Max

Order Information:

RE - C - 3.96A - T

L: RoHS

Pitch: 3.96mm

Type:

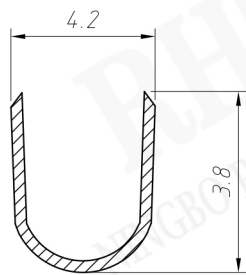
H-Hosing T-Terminal

S-Straight male pin

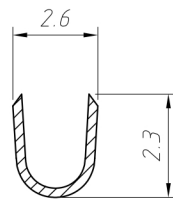
R-Right angle male pin

VM-Vertical SMT Pin

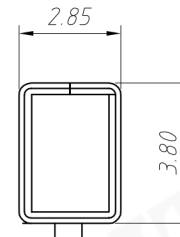
RM-Horizontal SMT Pin



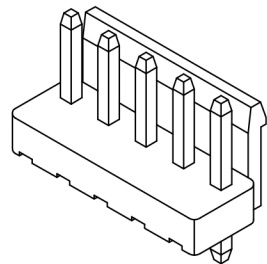
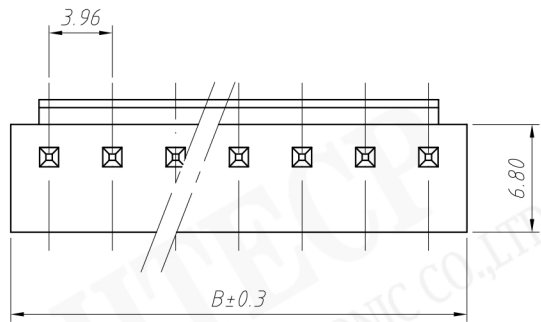
A-A



B-B

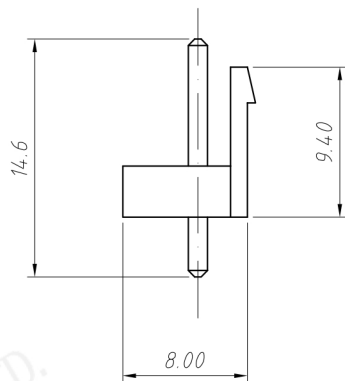
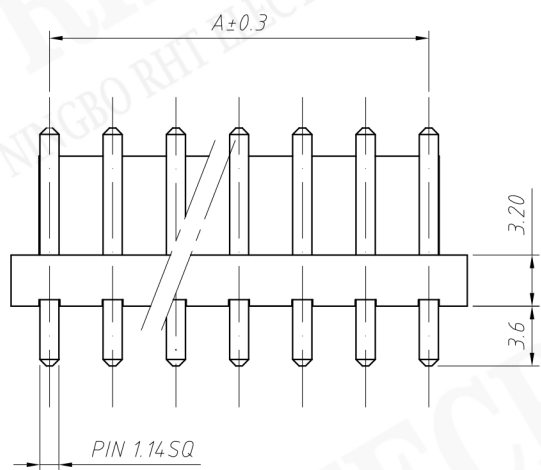


C-C



Material:  
 Housing:PA66,UL94V-0  
 Contact:Brass  
 Plating:Tin plated over Nickel

Electrical Characteristics:  
 Rated Current:7.0AMP  
 Voltage rating:250V AC,DC  
 Temperature range:-25°C ~ + 85°C  
 Insulator Resistance:1000MΩ Min  
 Withstanding Voltage:1500V AC/minute  
 Contact Resistance:20mΩ Max



Pins	Dimensions	
	A	B
02	3.96	7.92
03	7.92	11.88
04	11.88	15.84
05	15.84	19.80
06	19.80	23.76
07	23.76	27.72
08	27.72	31.68
09	31.68	35.64
10	35.64	39.60
11	39.60	43.56
12	43.56	47.52
13	47.52	51.48
14	51.48	55.44
15	55.44	59.40
16	59.40	63.36

Order Information:

RE - C - 3.96A - XX - S

L: RoHS

Pitch:3.96mm

XX-No. of 02 ~ 16pins

Type:

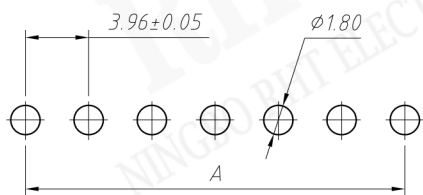
H-Hosing T-Terminal

S-Straight male pin

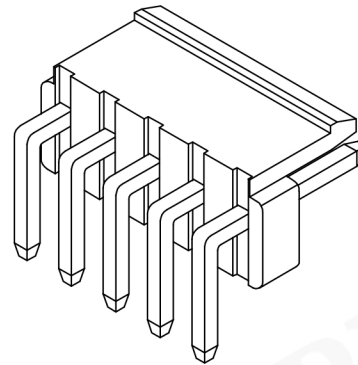
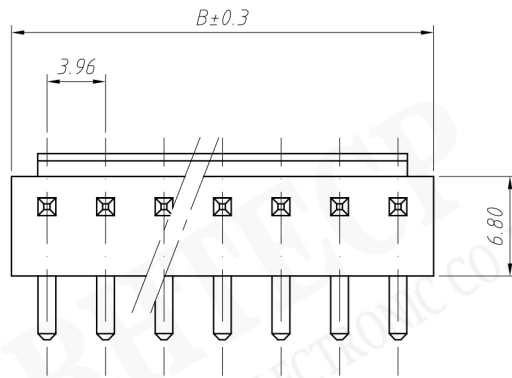
R-Right angle male pin

VM-Vertical SMT Pin

RM-Horizontal SMT Pin

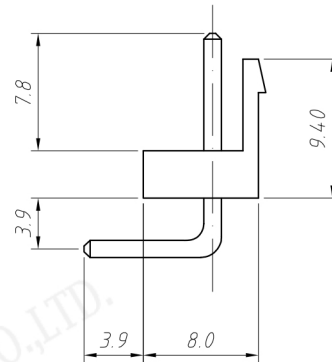
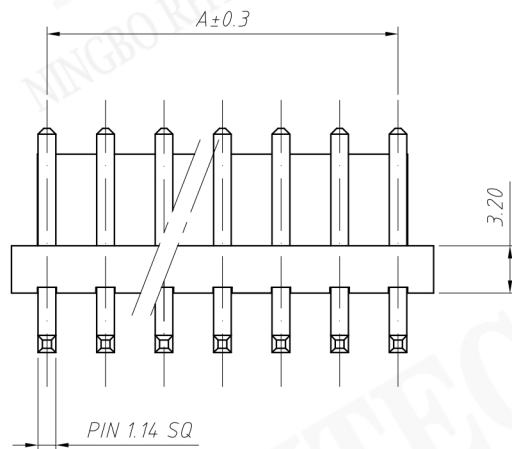


Recommended PCB Layout



Material:  
Housing: PA66, UL 94V-0  
Contact: Brass  
Plating: Tin plated over Nickel

Electrical Characteristics:  
Rated Current: 7.0AMP  
Voltage rating: 250V AC, DC  
Temperature range: -25°C ~ + 85°C  
Insulator Resistance: 1000MΩ Min  
Withstanding Voltage: 1500V AC/minute  
Contact Resistance: 20mΩ Max



Pins	Dimensions	
	A	B
02	3.96	7.92
03	7.92	11.88
04	11.88	15.84
05	15.84	19.80
06	19.80	23.76
07	23.76	27.72
08	27.72	31.68
09	31.68	35.64
10	35.64	39.60
11	39.60	43.56
12	43.56	47.52
13	47.52	51.48
14	51.48	55.44
15	55.44	59.40
16	59.40	63.36

Order Information:

RE - C - 3.96A - XX - R

L: RoHS

Pitch: 3.96mm

XX - No. of 02 ~ 16 pins

Type:

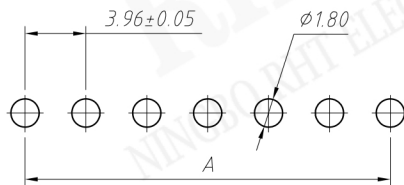
H - Housing T - Terminal

S - Straight male pin

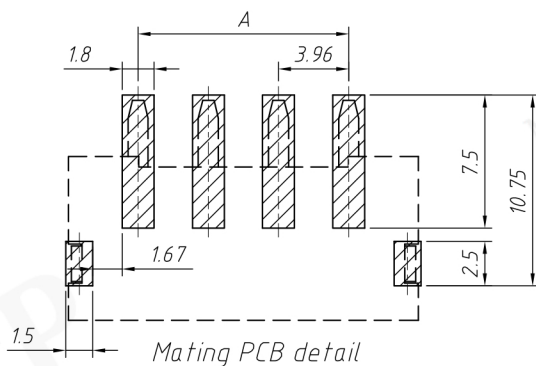
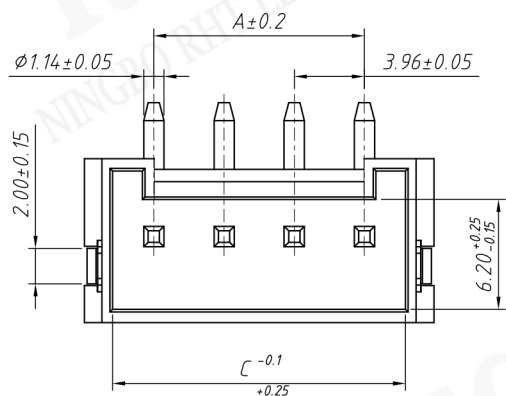
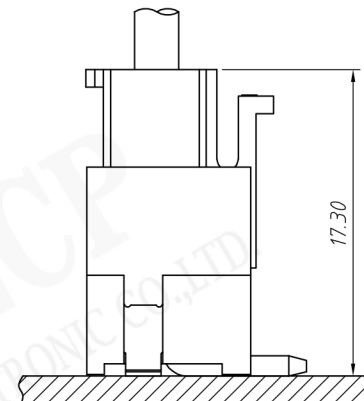
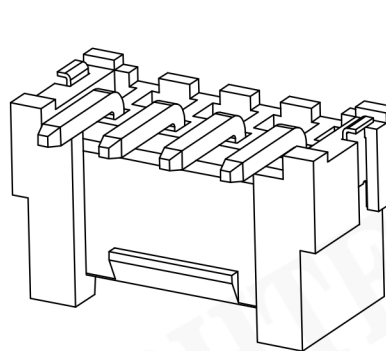
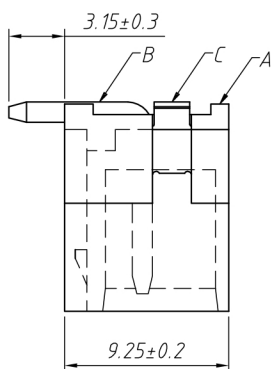
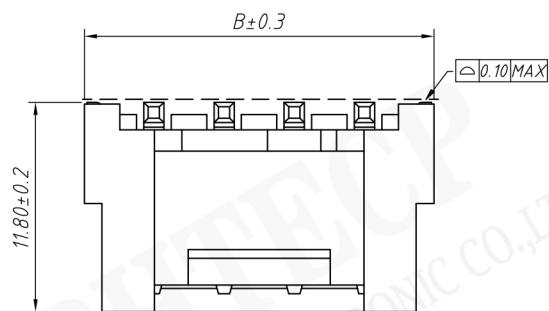
R - Right angle male pin

VM - Vertical SMT Pin

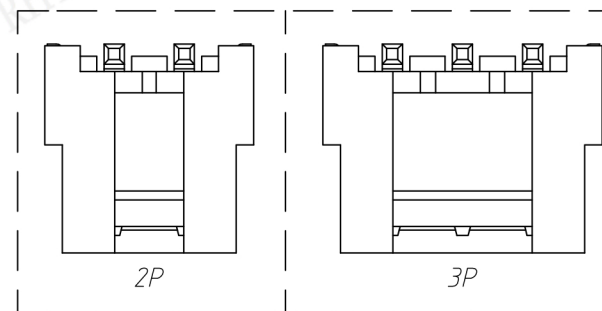
RM - Horizontal SMT Pin



Recommended PCB Layout

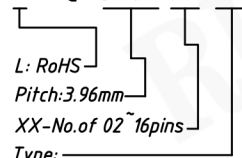


Assembly Layout



**Order Information:**

RE - C -3.96A-XX-VM



L: RoHS  
Pitch: 3.96mm  
XX-No. of 02~16pins  
Type: H-Terminal  
S-Straight male pin  
R-Right angle male pin  
VM-Vertical SMT Pin  
RM-Horizontal SMT Pin

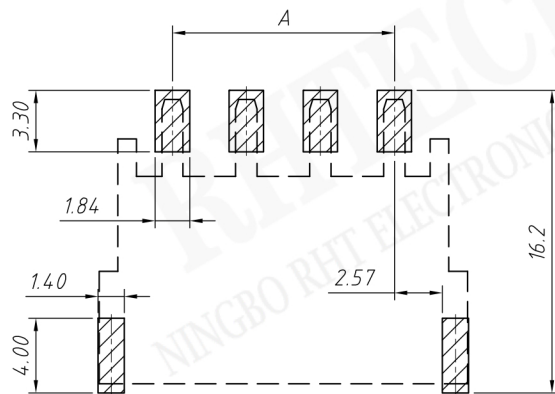
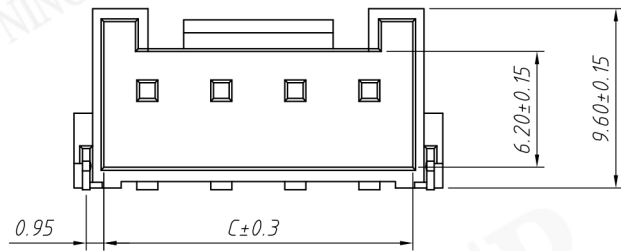
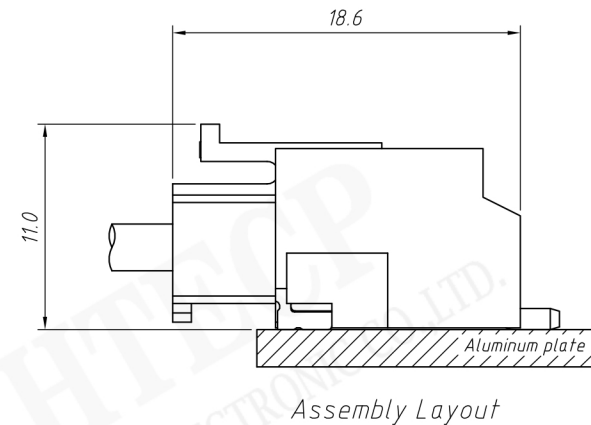
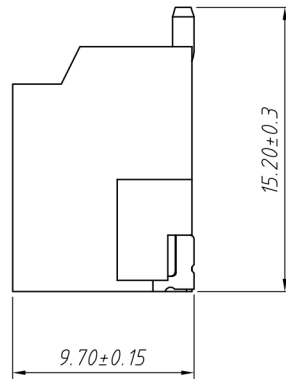
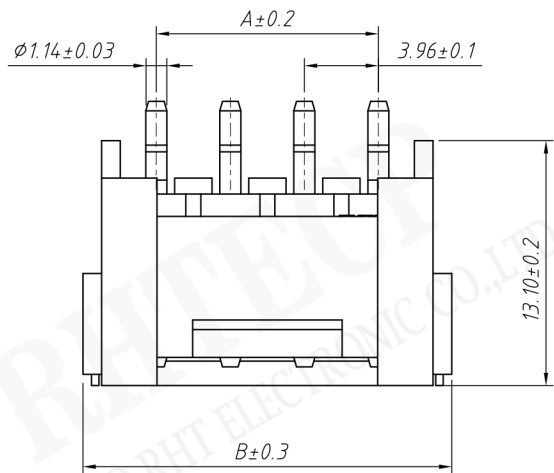
**Material:**

Insulator: PA6T UL94V-0, Beige  
Contacts: Brass, Tin Plated  
Solder Tab: Brass, Tin Plated

**Electrical Specification:**

Poles: 02 to 16  
Contact resistance:  $\leq 20m\Omega$   
Insulation resistance:  $\geq 1000M\Omega$   
Rated voltage: 250V AC DC  
Rated current: 7.0A AC DC  
Withstand Voltage: 1500V AC/minute  
Temperature Range:  $-25^{\circ}C \sim +105^{\circ}C$

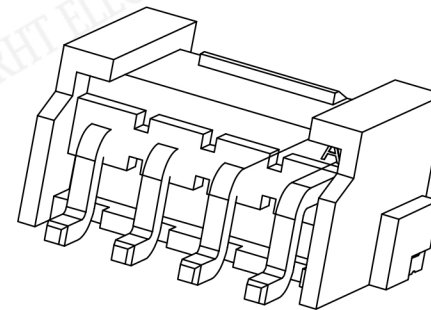
Circuit	Dimensions(mm)			Circuit	Dimensions(mm)		
	A	B	C		A	B	C
02	3.96	11.80	8.60	10	35.64	43.48	40.28
03	7.92	15.76	12.56	11	39.60	47.44	44.24
04	11.88	19.72	16.52	12	43.56	51.40	48.20
05	15.84	23.68	20.48	13	47.52	55.36	52.16
06	19.80	27.64	24.44	14	51.48	59.32	56.12
07	23.76	31.60	28.40	15	55.44	63.28	60.08
08	27.72	35.56	32.36	16	59.40	67.24	64.04
09	31.68	39.52	36.32				



Mating PCB detail

**Material:**  
 Insulator: PA6T UL94V-0, Beige  
 Contacts: Brass, Tin Plated  
 Solder Tab: Brass, Tin Plated

**Electrical Specification:**  
 Poles: 02 to 16  
 Contact resistance:  $\leq 20m\Omega$   
 Insulation resistance:  $\geq 1000M\Omega$   
 Rated voltage: 250V AC DC  
 Rated current: 7.0A AC DC  
 Withstand Voltage: 1500V AC/minute  
 Temperature Range:  $-25^{\circ}C \sim +105^{\circ}C$



Circuit	Dimensions(mm)			Circuit	Dimensions(mm)		
	A	B	C		A	B	C
02	3.96	11.80	8.60	10	35.64	43.48	40.28
03	7.92	15.76	12.56	11	39.60	47.44	44.24
04	11.88	19.72	16.52	12	43.56	51.40	48.20
05	15.84	23.68	20.48	13	47.52	55.36	52.16
06	19.80	27.64	24.44	14	51.48	59.32	56.12
07	23.76	31.60	28.40	15	55.44	63.28	60.08
08	27.72	35.56	32.36	16	59.40	67.24	64.04
09	31.68	39.52	36.32				