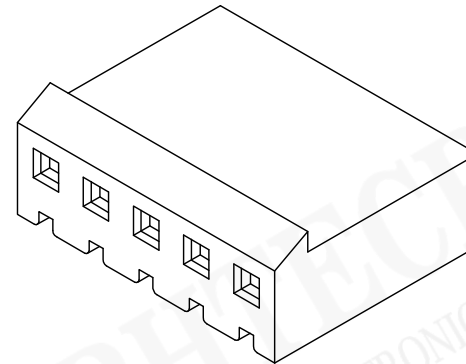
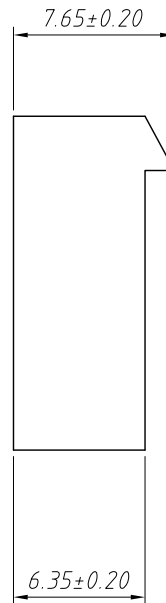
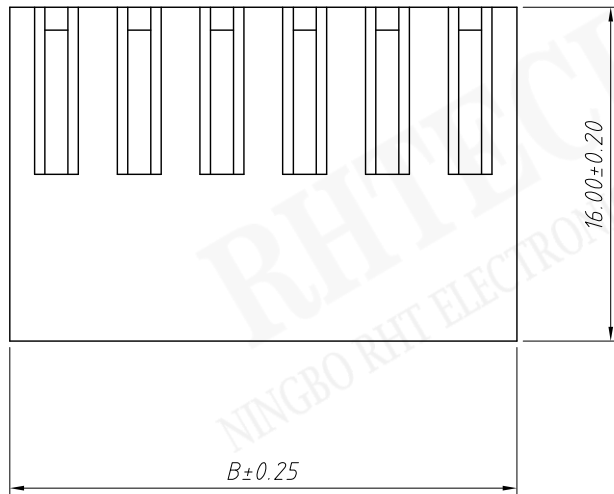


Pins	Dimensions		Pins	Dimensions	
	A	B		A	B
02	3.96	8.43	12	43.56	48.03
03	7.92	12.39	13	47.52	51.99
04	11.88	16.35	14	51.48	55.95
05	15.84	20.31	15	55.44	59.91
06	19.80	24.27	16	59.40	63.87
07	23.76	28.23	17	63.36	67.83
08	27.72	32.19	18	67.32	71.79
09	31.68	36.15	19	71.28	75.75
10	35.64	40.11	20	75.24	79.71
11	39.60	44.07			

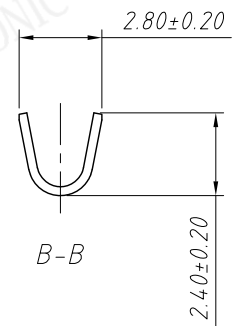
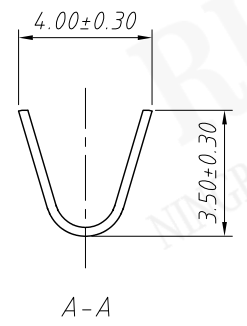
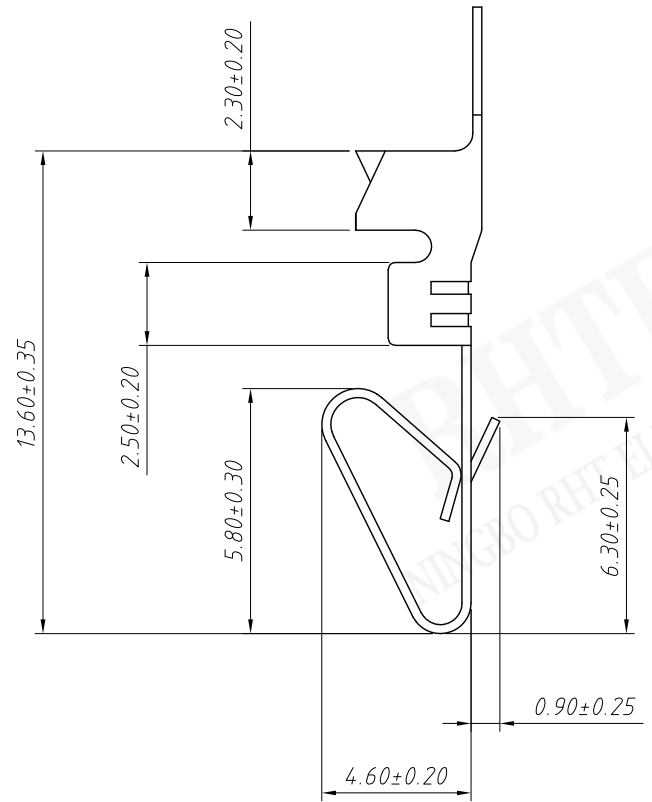
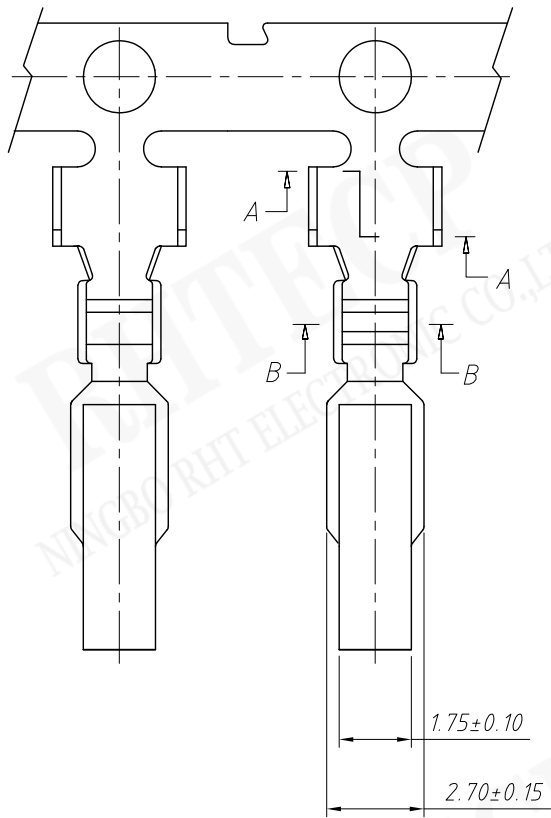
Material:
Housing:PA66,UL 94V-2

Electrical Characteristics:
Rated Current:7.0AMP
Voltage rating:250V AC,DC
Temperature range:-25°C ~ + 85°C
Insulator Resistance:1000MΩ Min
Withstanding Voltage:1500V AC/minute
Contact Resistance:20mΩ Max



Order Information:
RE - C - 3.96-XX-H

L: RoHS
Pitch:3.96mm
XX-No.of 02~20pins
Type: _____
H-Hosing T-Terminal
S-Straight male pin
R-Right angle male pin



Material:
 Terminal: Brass
 Plating: Tin plated
 Applicable wires: AWG #24 ~ # 18
 Insulation O.D: 2.8mm
 Thickness: 0.25mm
 Qty/reel: 5000 pcs

Electrical Characteristics:
 Rated Current: 7.0AMP
 Voltage rating: 250V AC, DC
 Temperature range: -25°C ~ + 85°C
 Insulator Resistance: 1000MΩ Min
 Withstanding Voltage: 1500V AC/minute
 Contact Resistance: 20mΩ Max

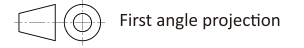
Order Information:

RE - C - 3.96 - T
 L: RoHS
 Pitch: 3.96mm
 Type: _____
 H-Hosing T-Terminal
 S-Straight male pin
 R-Right angle male pin

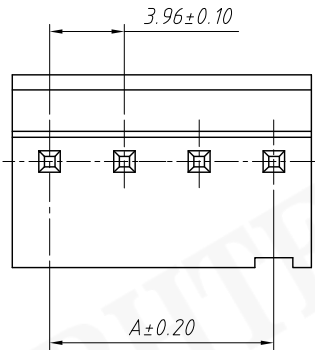


NINGBO RHT ELECTRONIC CO.,LTD

UNITS:mm		SHEET SIZE:A4		SCALE: ---	
> 0 ~ 3	> 3 ~ 18	> 18 ~ 50	> 50 ~ 120		
0.12	0.15	0.3	0.5		



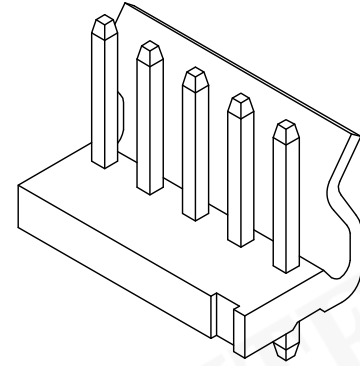
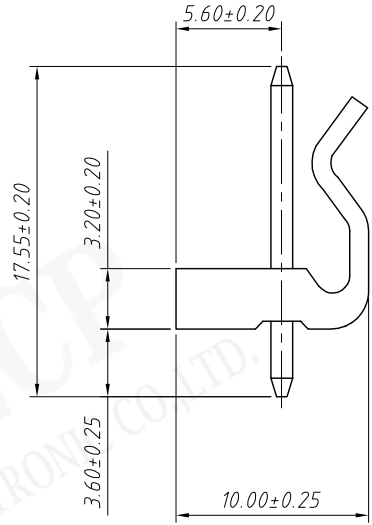
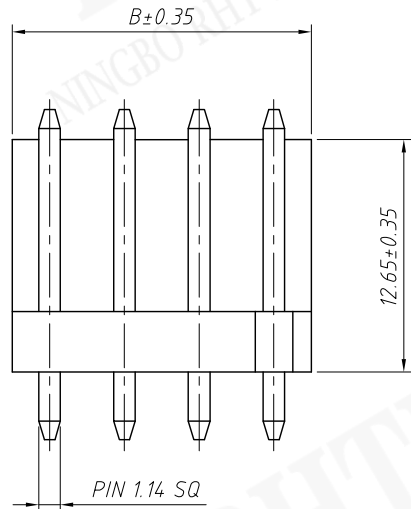
CONNECTOR



Pins	Dimensions		Pins	Dimensions	
	A	B		A	B
02	3.96	7.92	12	43.56	47.52
03	7.92	11.88	13	47.52	51.48
04	11.88	15.84	14	51.48	55.44
05	15.84	19.80	15	55.44	59.40
06	19.80	23.76	16	59.40	63.36
07	23.76	27.72	17	63.36	67.32
08	27.72	31.68	18	67.32	71.28
09	31.68	35.64	19	71.28	75.24
10	35.64	39.60	20	75.24	79.20
11	39.60	43.56			

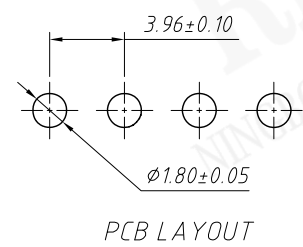
Material:
 Housing:PA66,UL94V-2
 Contact:Brass
 Plating: Tin plate

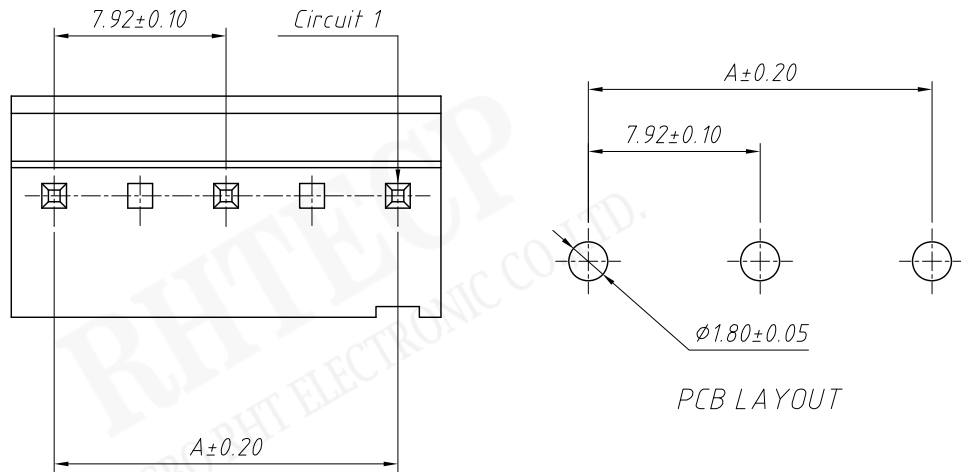
Electrical Characteristics:
 Rated Current:7.0AMP
 Voltage rating:250V AC,DC
 Temperature range:-25°C ~ + 85°C
 Insulator Resistance:1000MΩ Min
 Withstanding Voltage:1500V AC/minute
 Contact Resistance:20mΩ Max



Order Information:
 RE - C - 3.96 - XX - S

L: RoHS
 Pitch:3.96mm
 XX-No. of 02~20pins
 Type:
 H-Hosing T-Terminal
 S-Straight male pin
 R-Right angle male pin

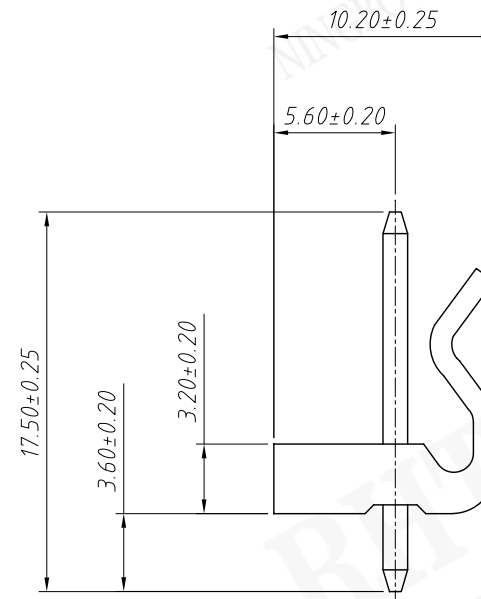
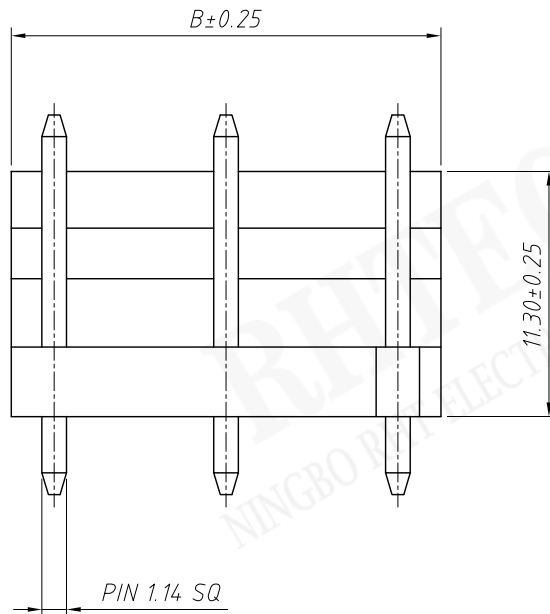




Pins	Dimensions	
	A	B
03	7.92	11.88
05	15.84	19.80
07	23.76	27.72
09	31.68	35.64
11	39.60	43.56
13	47.52	51.48
15	55.44	59.40
17	63.36	67.32
19	71.28	75.24

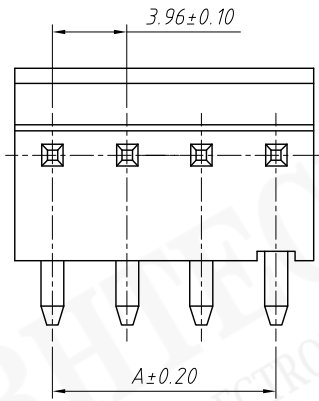
Material:
Housing: PA66, UL 94 V-2, Natural
Contact: Brass
Plating: Tin plate Over Nickel

Electrical Characteristics:
Rated Current: 7.0AMP
Voltage rating: 250V AC, DC
Temperature range: -40°C ~ + 105°C
Insulator Resistance: 1000MΩ Min
Withstanding Voltage: 1500V AC/minute
Contact Resistance: 10mΩ Max



Order Information:
RE - C - 3.96 - XXPXK - S

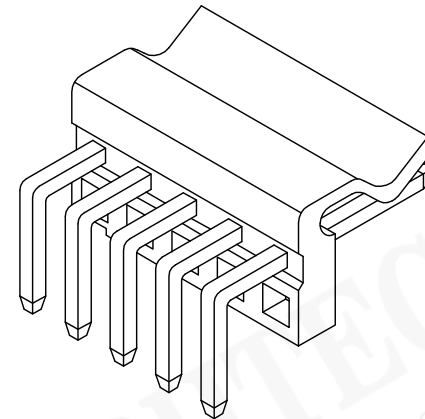
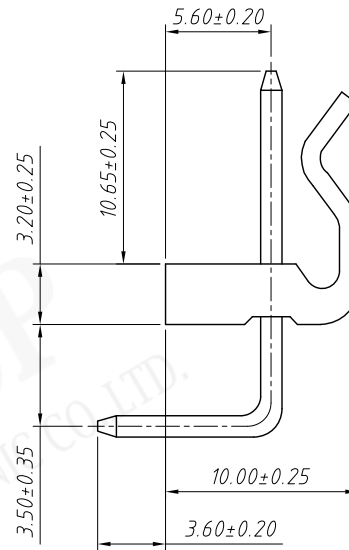
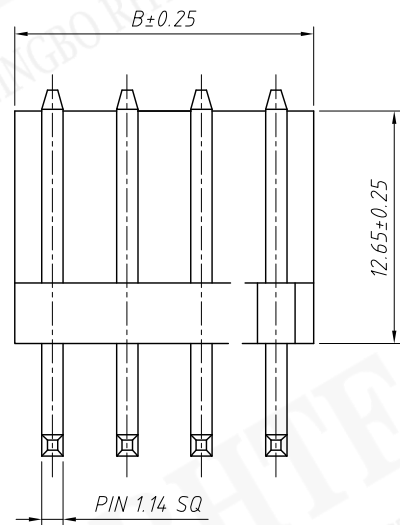
L: RoHS
Pitch: 3.96mm
XX - No. of 03 ~ 19 pins
XK - Empty Pins
Type: _____
S - Straight male pin
R - Right angle male pin



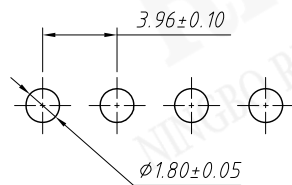
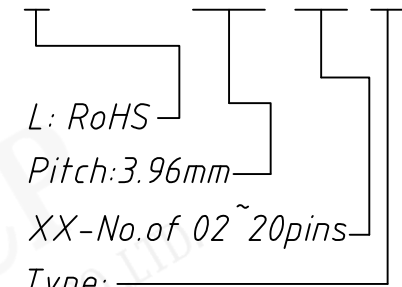
Pins	Dimensions		Pins	Dimensions	
	A	B		A	B
02	3.96	7.92	12	43.56	47.52
03	7.92	11.88	13	47.52	51.48
04	11.88	15.84	14	51.48	55.44
05	15.84	19.80	15	55.44	59.40
06	19.80	23.76	16	59.40	63.36
07	23.76	27.72	17	63.36	67.32
08	27.72	31.68	18	67.32	71.28
09	31.68	35.64	19	71.28	75.24
10	35.64	39.60	20	75.24	79.20
11	39.60	43.56			

Material:
Housing: PA66, UL 94 V-2
Contact: Brass
Plating: Tin plate

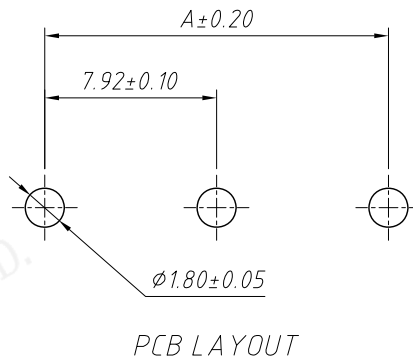
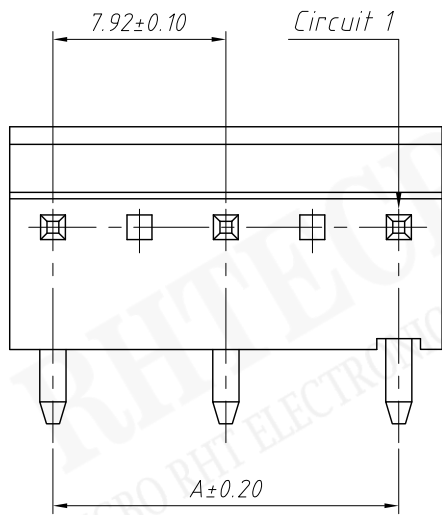
Electrical Characteristics:
Rated Current: 7.0 AMP
Voltage rating: 250V AC, DC
Temperature range: -25°C ~ +85°C
Insulator Resistance: 1000MΩ Min
Withstanding Voltage: 1500V AC/minute
Contact Resistance: 20mΩ Max



Order Information:
RE - C - 3.96 - XX - R



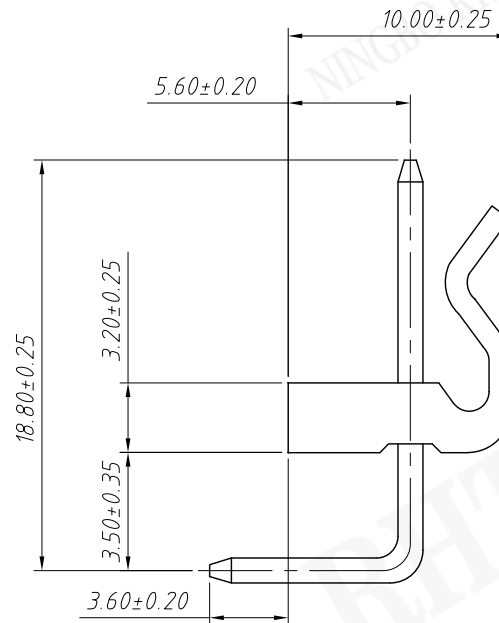
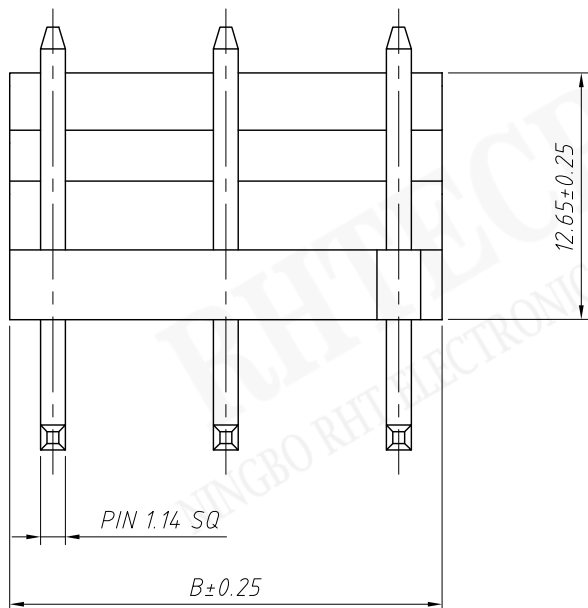
PCB LAYOUT



Pins	Dimensions	
	A	B
03	7.92	11.88
05	15.84	19.80
07	23.76	27.72
09	31.68	35.64
11	39.60	43.56
13	47.52	51.48
15	55.44	59.40
17	63.36	67.32
19	71.28	75.24

Material:
 Housing: PA66, UL 94 V-2, Natural
 Contact: Brass
 Plating: Tin plate Over Nickel

Electrical Characteristics:
 Rated Current: 7.0AMP
 Voltage rating: 250V AC, DC
 Temperature range: -40°C ~ +105°C
 Insulator Resistance: 1000MΩ Min
 Withstanding Voltage: 1500V AC/minute
 Contact Resistance: 10mΩ Max



Order Information:
 RE - C - 3.96 - XXPXK - R

L: RoHS
 Pitch: 3.96mm
 XX - No. of 03 ~ 19pins
 XK - Empty Pins
 Type: _____
 S - Straight male pin
 R - Right angle male pin