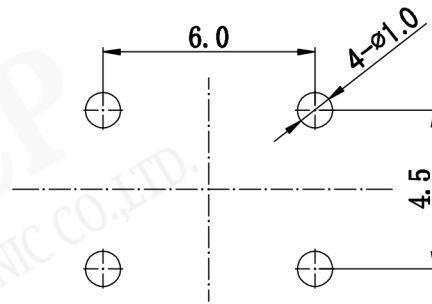
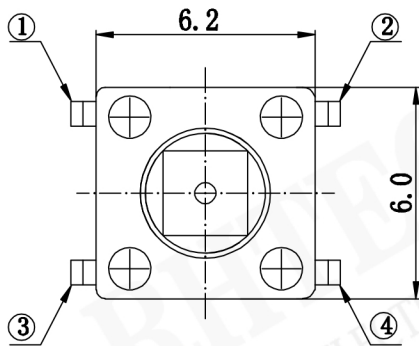


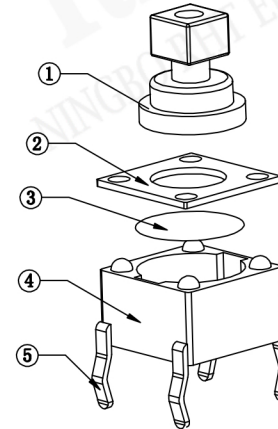
CIRCUIT



PHOTO ONLY FOR REFERENCE



PCB Layout ( $\pm 0.1$ )



Technique parameter:

1. Do to use temperature:  $-25 \sim +85 \text{ }^\circ\text{C}$ ;
2. The sum settles burden: DC 12 V 50 mA;
3. Get in touch with electric resistance:  $\leq 50\text{m}\Omega$ ;
4. Insulate electric resistance:  $\geq 100 \text{ M}\Omega$ ;
5. Bear Press: AC250 V (50 Hz) | min;
6. Act dint:  $180\text{g} \pm 50\text{g}$ ;
7. Service life: 100000 times;
8. Have never noted size business trip to according to the underneath form.

TOLERANCE (mm)

0~3	$\pm 0.05$	$\pm 0.10$	$\pm 0.20$
>3~6	$\pm 0.05$	$\pm 0.10$	$\pm 0.30$
>6~30	$\pm 0.10$	$\pm 0.20$	$\pm 0.50$
>30~120	$\pm 0.15$	$\pm 0.30$	$\pm 0.80$

ANGLE  $\pm 1^\circ$

NO.	PART NAME	MATERIAL	SURFACE TRFATMFNT	QTY	REMARK
5	TERMINAL	BRASS	Ag	1	
4	HOUSING	PPA		1	BLACK
3	CONTACT	SUS	Ag	1	
2	COVER	SPPC	Cu/Sn	1	
1	BUTTON	PPA		1	BLACK