

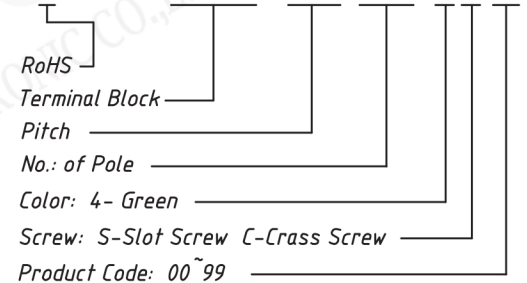
Material
Housing: PA66, UL94V-0
Cage: Brass, Ni plated
Screws: M3.0, Steel, Zn plated
Fixing screws: M2.5 Steel Zn plated
Clamp: Phosphor bronze, Ni plated

Electrical
Rated voltage: 300V
Rated current: 15A
Contact Resistance: 20 mΩ
Insulation resistance: 500MΩ/DC500V
Withstand voltage: AC2000V / 1 min
Wire Range: 28 ~ 14AWG 1.5mm²

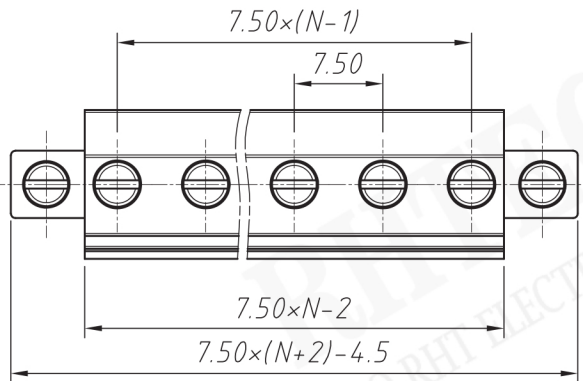
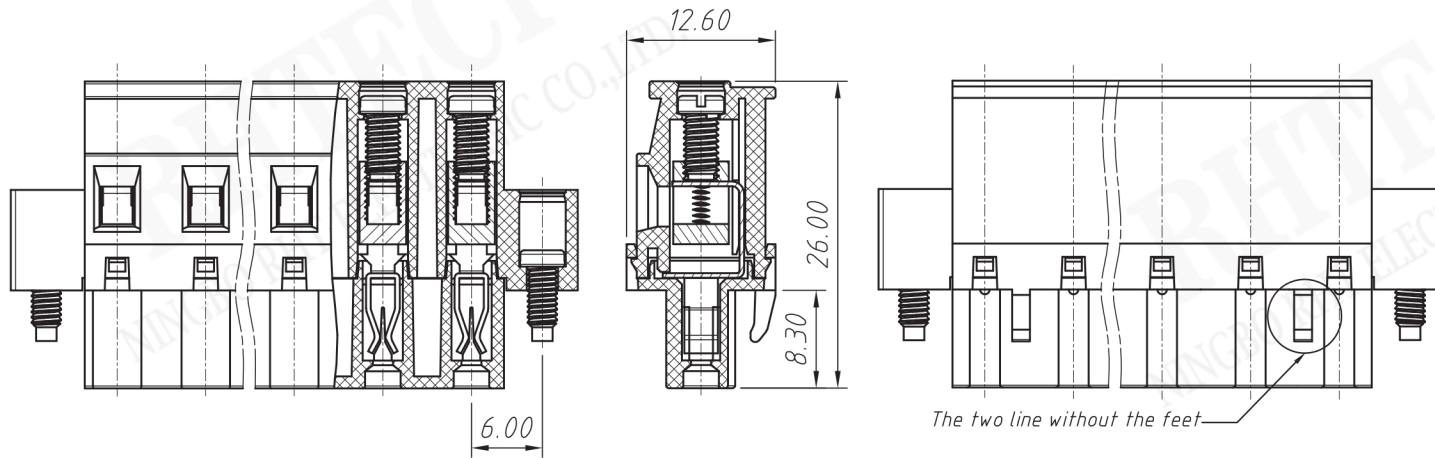
Mechanical
Temp. Range: -40 °C ~ +105 °C
Strip length: 7 ~ 8mm
Torque: 0.5Nm(4.5Lbin)

Order Information

RE - C - EDKBM - 7.62 - XXP - 4 S 00



UNITS:mm	SHEET SIZE:A4		SCALE: ---
> 0 ~ 3	> 3 ~ 18	> 18 ~ 50	> 50 ~ 120
± 0.12	± 0.15	± 0.3	± 0.5



- Material
- Housing: PA66, UL 94V-0
- Cage: Brass, Ni plated
- Screws: M3.0, Steel, Zn plated
- Fixing screws: M2.5 Steel Zn plated
- Clamp: Phosphor bronze, Ni plated
- Electrical
- Rated voltage: 300V
- Rated current: 15A
- Contact Resistance: 20 mΩ
- Insulation resistance: 500MΩ/DC500V
- Withstand voltage: AC2000V / 1 min
- Wire Range: 28~14AWG 1.5mm²
- Mechanical
- Temp. Range: -40 °C ~ +105 °C
- Strip length: 7~8mm
- Torque: 0.5Nm(4.5Lbin)

Order Information

