

SECTION A-A

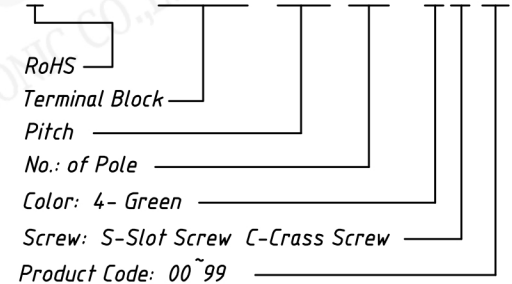


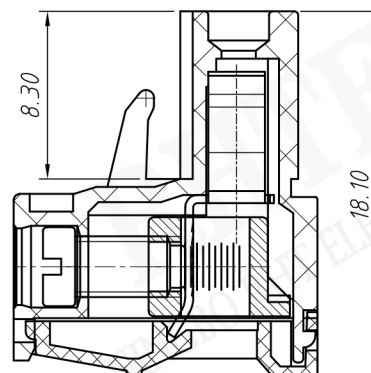
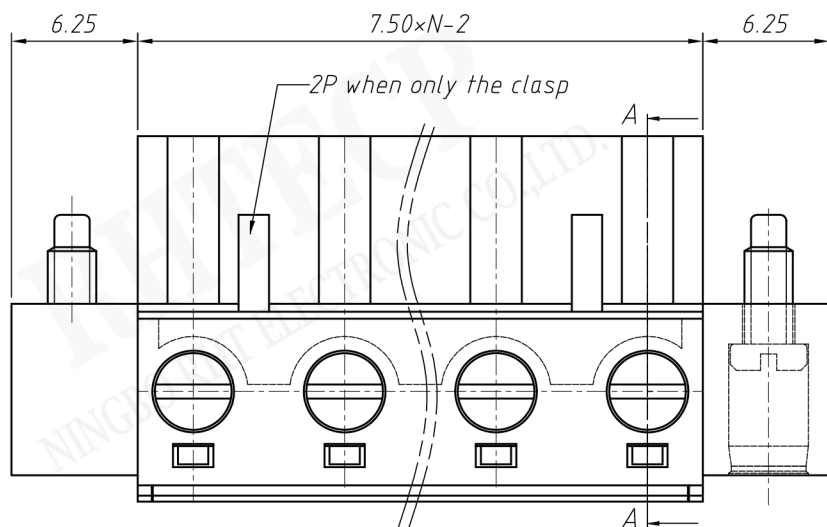
Material  
 Housing: PA66, UL94V-0  
 Screws: M3 Steel, Zn plated  
 Wire guard: Brass, Ni plated  
 Fixing Screws: M2.5 Steel, Zn plated  
 Clamp: Phosphor bronze, Ni Plated

Electrical  
 Rated voltage: 300V  
 Rated current: 15A  
 Contact Resistance: 20 mΩ  
 Insulation resistance: 500MΩ/DC500V  
 Withstand voltage: AC2000V / 1 min  
 Wire Range: 28~14AWG 1.5mm<sup>2</sup>  
 Mechanical  
 Temp. Range: -40 °C ~ +105 °C  
 Strip length: 7~8mm  
 Torque: 0.5Nm(4.5bin)

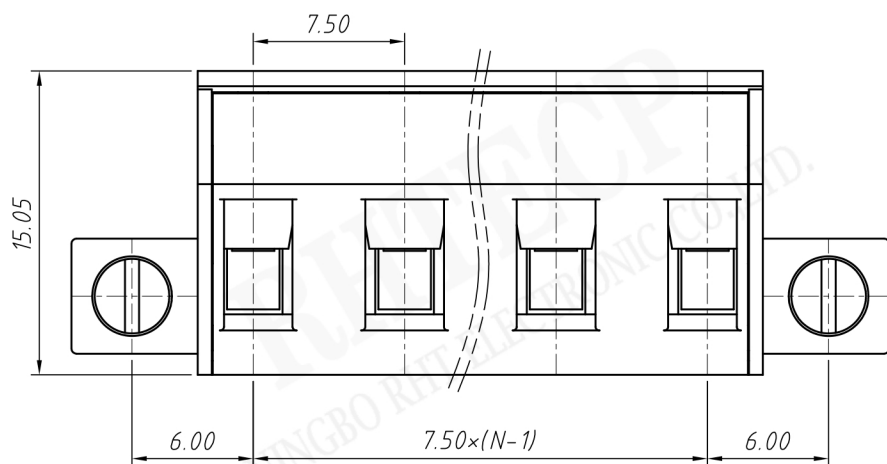
Order Information

RE - C - EDCKM - 7.62 - XXP - 4 S 00





SECTION A-A



- Material**
- Housing:** PA66, UL 94 V-0
- Screws:** M3 Steel, Zn plated
- Cage:** Brass, Ni plated
- Fixing Screws:** M2.5 Steel, Zn plated
- Clamp:** Phosphor bronze, Ni Plated
- Electrical**
- Rated voltage:** 300V
- Rated current:** 15A
- Contact Resistance:** 20 mΩ
- Insulation resistance:** 500MΩ/DC500V
- Withstand voltage:** AC2000V / 1 min
- Wire Range:** 28 ~ 14AWG 1.5mm<sup>2</sup>
- Mechanical**
- Temp. Range:** -40 °C ~ +105 °C
- Strip length:** 7 ~ 8mm
- Torque:** 0.5Nm(4.5bin)

**Order Information**

RE - C - EDCKM - 7.50 - XXP - 4 S 00

