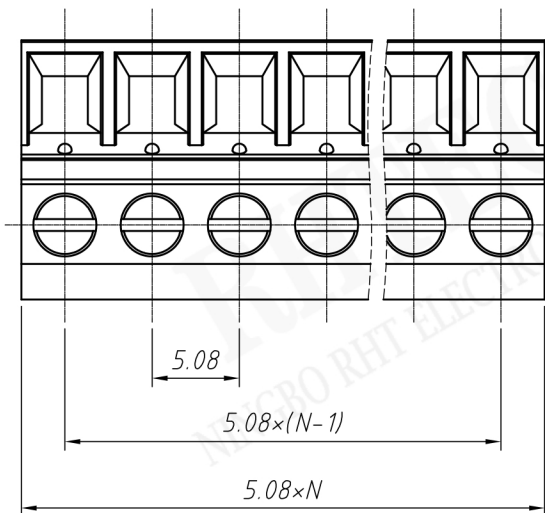


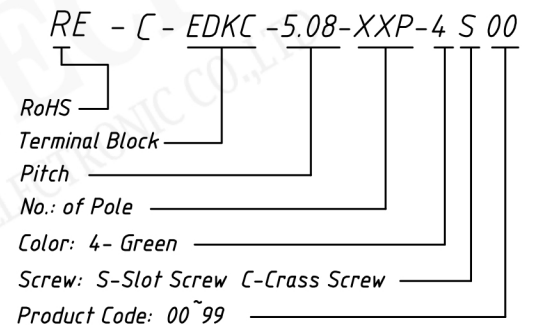
SECTION A-A



- Material**
- Housing: PA66, UL94V-0
 - Cage: Steel, Zn plated
 - Screws: M2.5, Steel, Zn plated
 - Slide block: Steel, Zn plated
 - Clamp: Phosphor bronze, Ni plated
- Electrical**
- Rated voltage: 300V
 - Rated current: 15A
 - Contact Resistance: 20 mΩ
 - Insulation resistance: 500MΩ/DC500V
 - Withstand voltage: AC2000V / 1min
 - Wire Range: 28~14AWG 1.5mm²
- Mechanical**
- Temp. Range: -40 °C ~ +105 °C
 - Strip length: 7~8mm
 - Torque: 0.54m(3.6Lbin)



Order Information



UNITS:mm	SHEET SIZE:A4		SCALE: ---
> 0~3	> 3~18	> 18~50	> 50~120
± 0.12	± 0.15	± 0.3	± 0.5