

Material

Housing: PA66, UL94V-0

Pin header: Brass, Tin plated

Electrical

Rated voltage: 300V

Rated current: 12A

Contact Resistance: 20 mΩ

Insulation resistance: 500MΩ/DC500V

Withstand voltage: AC2000V / 1 min

Mechanical

Temp. Range: -40 °C ~ +105 °C

Order Information

RE - C - EDRF - 5.00 - XXP - 4 00

RoHS

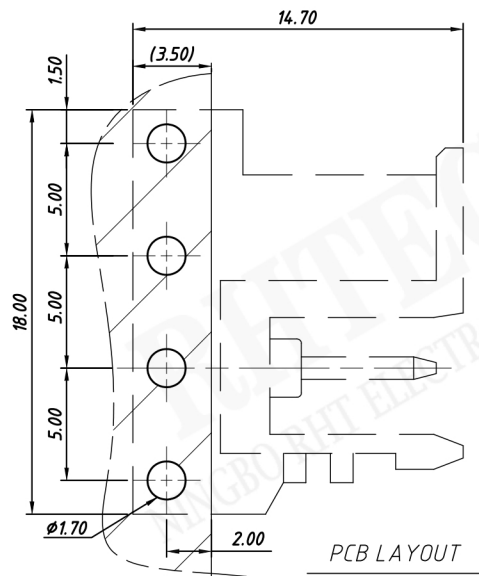
Terminal Block

Pitch

No. of Pole

Color: 4- Green

Product Code: 00~99



NINGBO RHT ELECTRONIC CO.,LTD

UNITS:mm

SHEET SIZE:A4

SCALE: ---

> 0 ~ 3

> 3 ~ 18

> 18 ~ 50

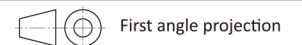
> 50 ~ 120

± 0.12

± 0.15

± 0.3

± 0.5



First angle projection

TERMINAL BLOCK