

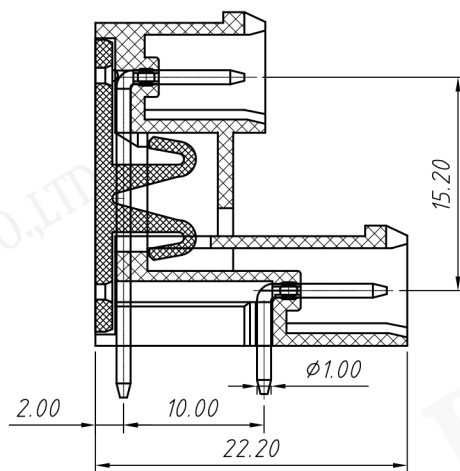
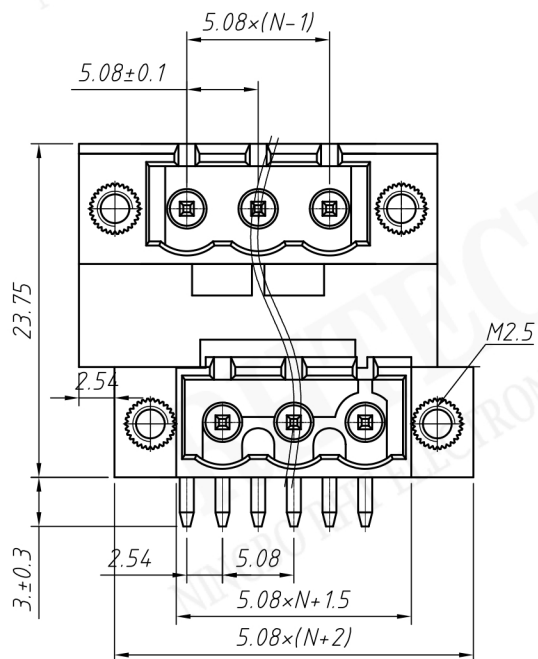
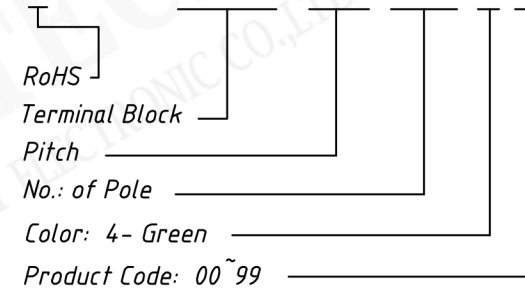
Material
 Housing: PA66, UL94V-0
 Pin header: Brass, Tin plated
 Nut: Brass

Electrical
 Rated voltage: 300V
 Rated current: 15A
 Contact Resistance: 20 mΩ
 Insulation resistance: 500MΩ/DC500V
 Withstand voltage: AC2000V / 1 min

Mechanical
 Temp. Range: -40 °C ~ +105 °C

Order Information

RE - C - EDCRM - 5.08 - XXP - 4 00



SECTION A-A