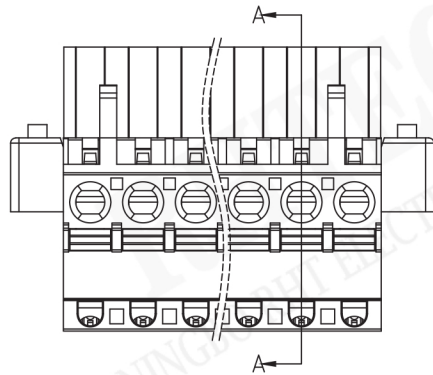




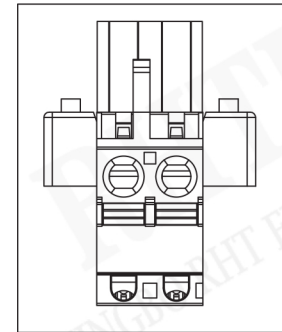
RE-C-EDKDM-5.00/5.08 Series Pitch=5.00mm/5.08mm



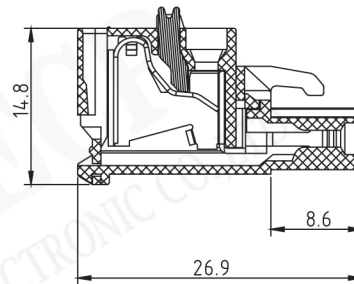
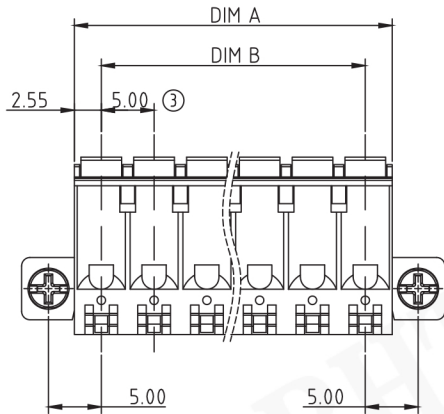
Dimension

DIM A	$N \times 5.0 + 0.10$
DIM B	$(N-1) \times 5.0$

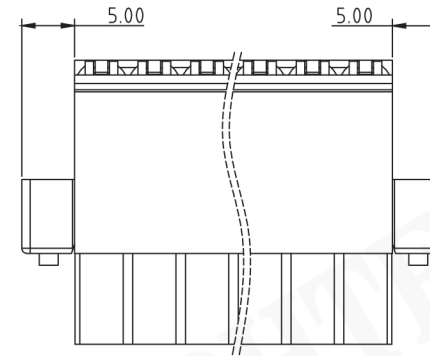
N=Number of poles



2P



SECTION A-A



### Electrical :

Rated voltage: 300V  
 Rated current: 15A  
 Contact resistance: 20mΩ  
 Insulation resistance: 5000MΩ/1000V  
 Withstanding Voltage: AC1500V/1Min

### Material

Housing: Pa66, UL94V-0  
 Screws: M2.5, steel, Zinc plated  
 Contact : Phosphor Bronze

### Mechanical

Temp. Range: -40°C~+105°C  
 MAX Soldering: +250°C for 5 Sec  
 Wire range: 28-12AWG 2.5mm<sup>2</sup>  
 Torque: 0.4Nm (3.6Lb. in)  
 Strip length: 7-8 mm

Product NO.: RE-C-EDKDM-5.00-XXP X X

Pos. NO. \_\_\_\_\_  
 Series No. \_\_\_\_\_  
 Pitch: 5.00=5.00mm 5.08=5.08mm  
 7.62=7.62mm  
 Number of Pole \_\_\_\_\_  
 Customer Request \_\_\_\_\_  
 Color: 1=Gray 2=Blue 3=Black  
 4=Green 5=Orange 6=Red  
 7=Transparent 8=Yellow 9=White