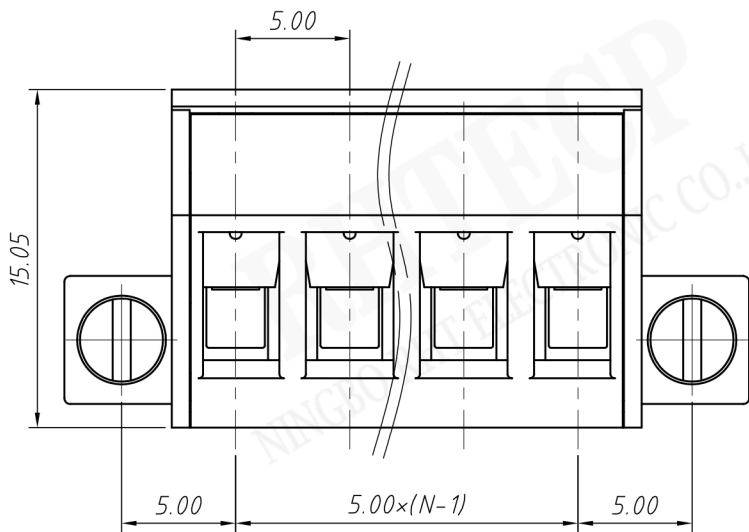


SECTION: A-A



- Material**  
**Housing:** PA66, UL94V-0  
**Wire guard:** Brass, Ni plated  
**Clamp:** Phosphor bronze, Ni plated  
**Screws:** M3.0, Steel, Zn plated
- Electrical**  
**Rated voltage:** 300V  
**Rated current:** 15A  
**Contact Resistance:** 20 mΩ  
**Insulation resistance:** 500MΩ/DC500V  
**Withstand voltage:** AC2000V / 1 min  
**Wire Range:** 28~14AWG 1.5mm<sup>2</sup>
- Mechanical**  
**Temp. Range:** -40 °C ~ +105 °C  
**Strip length:** 7~8mm  
**Torque:** 0.5Nm(4.5Lbin)



Order Information

RE - C - EDCKM - 5.00 - XXP - 4 S 00

- RoHS
- Terminal Block
- Pitch
- No. of Pole
- Color: 4- Green
- Screw: S-Slot Screw C-Cross Screw
- Product Code: 00~99

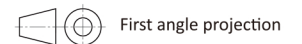


NINGBO RHT ELECTRONIC CO., LTD

UNITS:mm

SHEET SIZE:A4

SCALE: ---



First angle projection

> 0~3

> 3~18

> 18~50

> 50~120

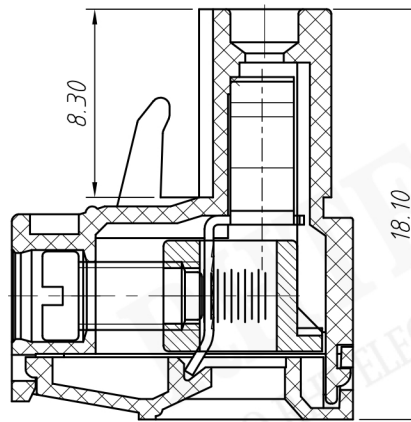
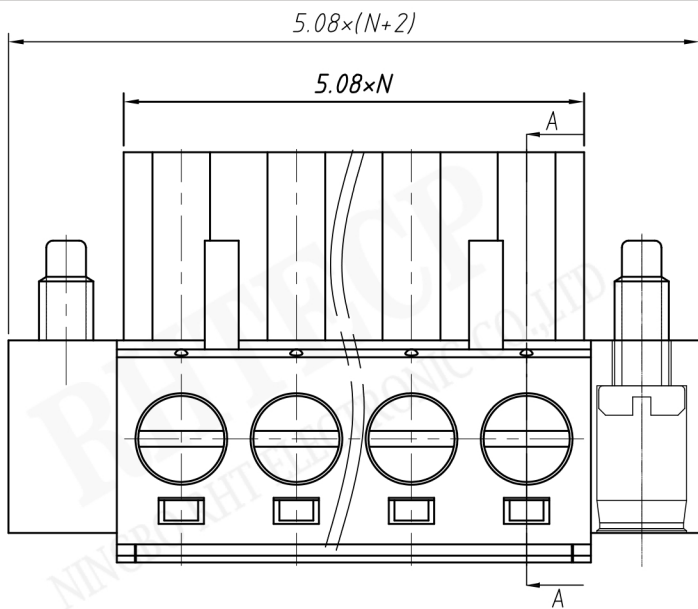
± 0.12

± 0.15

± 0.3

± 0.5

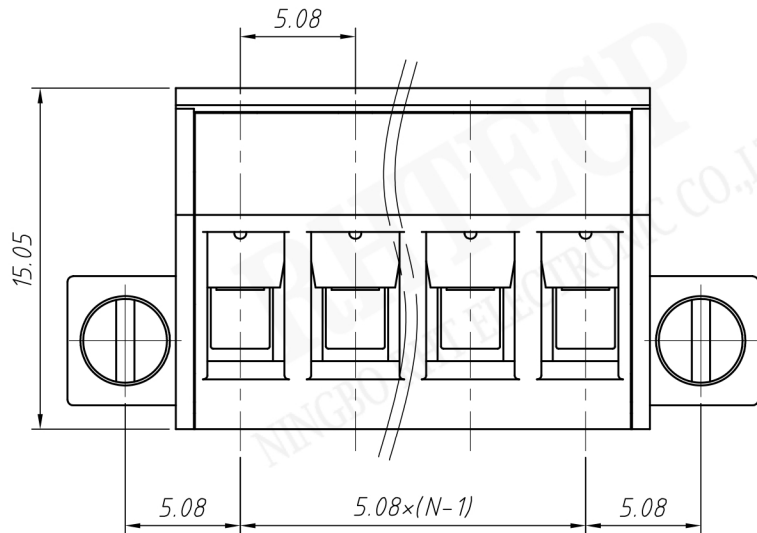
TERMINAL BLOCK



SECTION: A-A



- Material**  
**Housing:** PA66, UL94V-0  
**Wire guard:** Brass, Ni plated  
**Clamp:** Phosphor bronze, Ni plated  
**Screws:** M3.0, Steel, Zn plated
- Electrical**  
**Rated voltage:** 300V  
**Rated current:** 15A  
**Contact Resistance:** 20 m Ω  
**Insulation resistance:** 500MΩ/DC500V  
**Withstand voltage:** AC2000V / 1 min  
**Wire Range:** 28 ~ 14AWG 1.5mm<sup>2</sup>
- Mechanical**  
**Temp. Range:** -40 °C ~ +105 °C  
**Strip length:** 7 ~ 8mm  
**Torque:** 0.5Nm(4.5Lbin)



**Order Information**

RE - C - EDCKM - 5.08 - XXP - 4 S 00

- RoHS
- Terminal Block
- Pitch
- No.: of Pole
- Color: 4- Green
- Screw: S-Slot Screw C-Crass Screw
- Product Code: 00 ~ 99

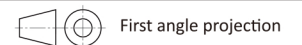


NINGBO RHT ELECTRONIC CO., LTD

UNITS:mm

SHEET SIZE:A4

SCALE: ---



First angle projection

> 0 ~ 3

> 3 ~ 18

> 18 ~ 50

> 50 ~ 120

± 0.12

± 0.15

± 0.3

± 0.5

TERMINAL BLOCK