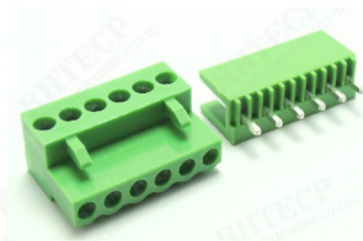


SECTION A-A



Material
Housing: PA66, UL94V-0
Clamp: Bronze, Ni Plated
Screws: M2 Steel, Zn plated
Shrapnel: Brass, Ni plated

Electrical
Rated voltage: 300V
Rated current: 8A
Contact Resistance: 20 mΩ
Insulation resistance: 500MΩ/DC500V
Withstand voltage: AC2000V / 1 min
Wire Range: 28~16AWG 1.0mm²

Mechanical
Temp. Range: -40 °C ~ +105 °C
Torque: 0.2Nm(1.7 bin)

Order Information

RE - C - EDK - 3.96 - XXP - 4 S 00

RoHS

Terminal Block

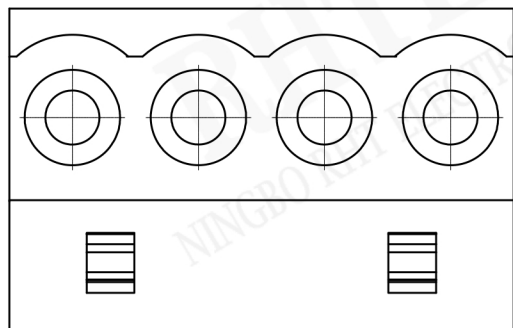
Pitch

No.: of Pole

Color: 4- Green

Screw: S-Slot Screw C-Cross Screw

Product Code: 00~99

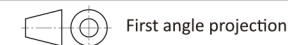


NINGBO RHT ELECTRONIC CO.,LTD

UNITS:mm

SHEET SIZE:A4

SCALE: ---



> 0~3

> 3~18

> 18~50

> 50~120

± 0.12

± 0.15

± 0.3

± 0.5

TERMINAL BLOCK