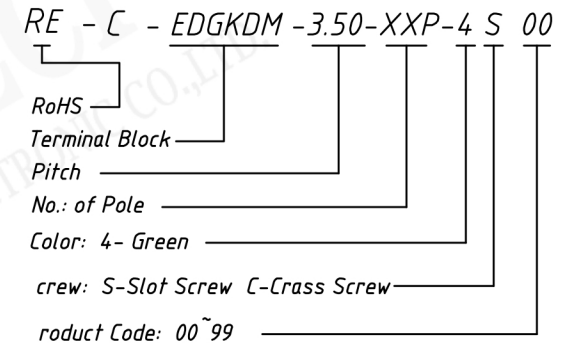
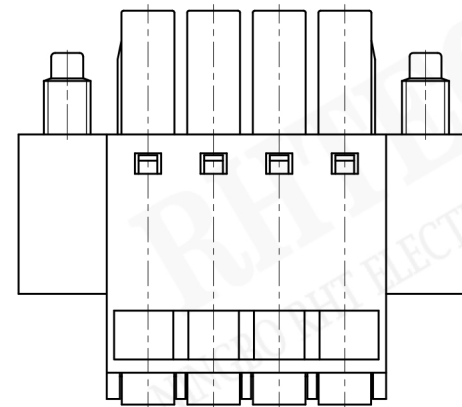
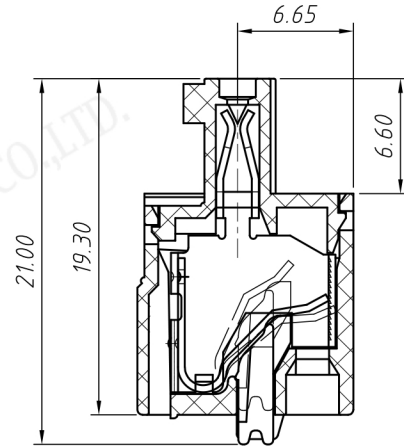
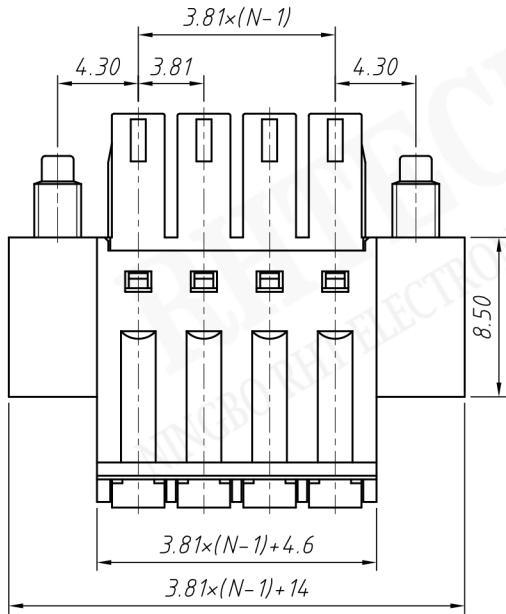


- Material**  
**Housing:** PA66, UL 94 V-0  
**Screws:** M2.5, Steel, Zn Plated  
**Clamp:** Phosphor bronze, Ni Plated  
**Wire guard:** Stainless steel
- Electrical**  
**Rated voltage:** 300V  
**Rated current:** 8A  
**Contact Resistance:** 20 m Ω  
**Insulation resistance:** 500MΩ/DC500V  
**Withstand voltage:** AC2000V / 1 min  
**Wire Range:** 28 ~ 16AWG 1.0mm<sup>2</sup>
- Mechanical**  
**Temp. Range:** -40 °C ~ +105 °C  
**Strip length:** 7 ~ 8 mm  
**Torque:** 0.4Nm(3.6 bin)

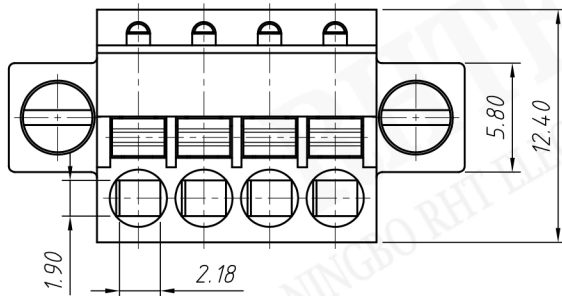
**Order Information**



UNITS:mm	SHEET SIZE:A4		SCALE: ---
> 0 ~ 3	> 3 ~ 18	> 18 ~ 50	> 50 ~ 120
± 0.12	± 0.15	± 0.3	± 0.5

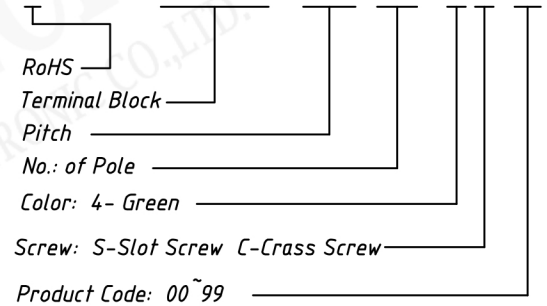


**Material**  
**Housing:** PA66, UL94V-0  
**Screws:** M2.5, Steel, Zn Plated  
**Clamp:** Phosphor bronze, Ni Plated  
**Wire guard:** Stainless steel  
**Electrical**  
**Rated voltage:** 300V  
**Rated current:** 8A  
**Contact Resistance:** 20 mΩ  
**Insulation resistance:** 500MΩ/DC500V  
**Withstand voltage:** AC2000V / 1 min  
**Wire Range:** 28~16AWG 1.0mm<sup>2</sup>  
**Mechanical**  
**Temp. Range:** -40 °C ~ +105 °C  
**Strip length:** 7~8 mm  
**Torque:** 0.4Nm(3.6 bin)



**Order Information**

RE - C - EDGKDM - 3.81 - XXP - 4 S 00



UNITS:mm	SHEET SIZE:A4		SCALE: ---
> 0~3	> 3~18	> 18~50	> 50~120
± 0.12	± 0.15	± 0.3	± 0.5