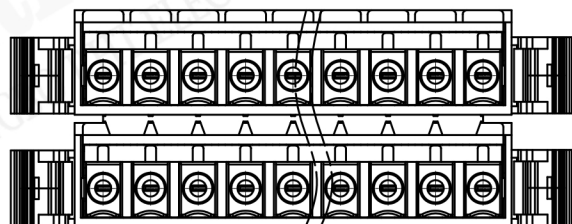
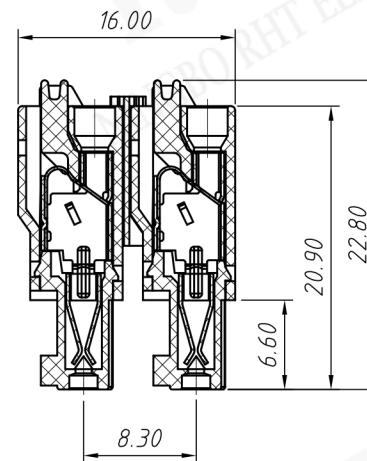
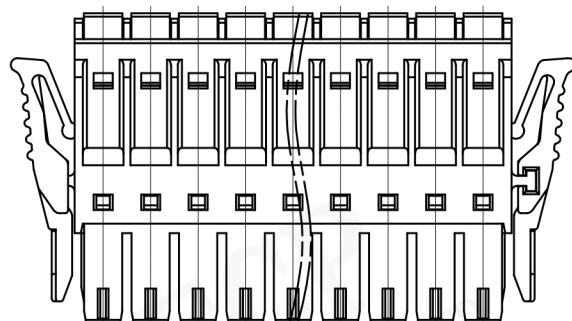
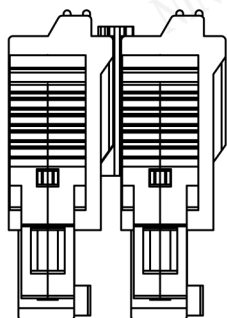


Material
 Housing:PA66, UL94V-0
 Shrapnel:Stainless steel
 Clamp:Phosphor bronze, Tin plated

Electrical
 Rated voltage:300 V
 Rated current:8 A
 Contact Resistance:20 mΩ
 Withstand voltage:AC2000V / 1 Min
 Insulation resistance:500MΩ/DC500V
 Wire Range:24~16AWG 1.0mm²
 Mechanical
 Temp. Range:-40 °C ~ +105 °C
 Strip length:9-10mm



Order Information

RE - C - FMDD - 3.50 - XXP - 4 00

RoHS
 Terminal Block
 Pitch
 No. of Pole
 Color: 4- Green
 Product Code: 00~99

UNITS:mm	SHEET SIZE:A4		SCALE: ---
> 0~3	> 3~18	> 18~50	> 50~120
± 0.12	± 0.15	± 0.3	± 0.5