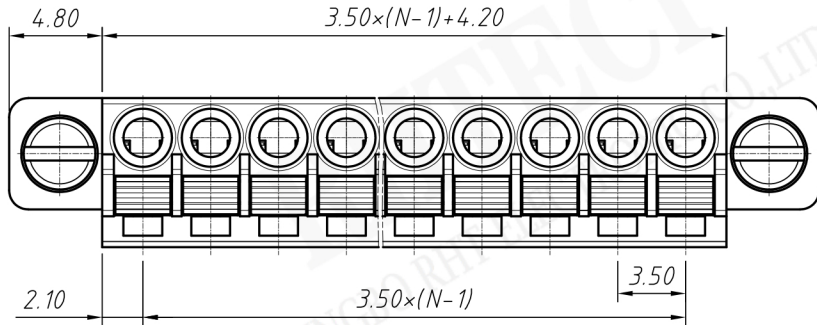


- Material**
- Housing:** PA66, UL94V-0
 - Clamp:** Phosphor bronze, Tin Plated
 - Shrapnel:** Stainless steel
 - Screw:** M3 Steel, Zn plated
 - Fix screw:** Steel, Zn plated
- Electrical**
- Rated voltage:** 300V
 - Rated current:** 8A
 - Contact Resistance:** 20 mΩ
 - Insulation resistance:** 500MΩ/DC500V
 - Withstand voltage:** AC2000V / 1 min
 - Wire Range:** 24 ~ 16AWG 1.0mm²
- Mechanical**
- Temp. Range:** -40 °C ~ +105 °C
 - Strip length:** 9 ~ 10mm



Order Information

RE - C - FME - 3.50 - XXP - 4 S 00

