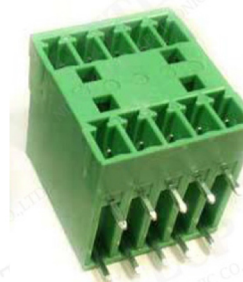
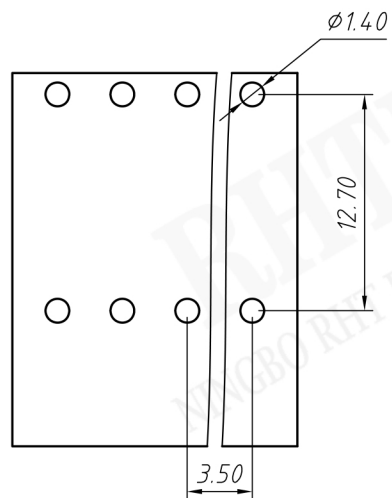


SECTION A-A



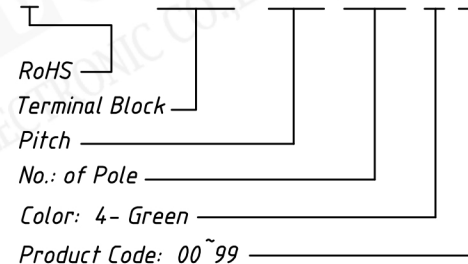
Material
Housing: PA66, UL 94V-0
Pin header: Brass, Tin plated

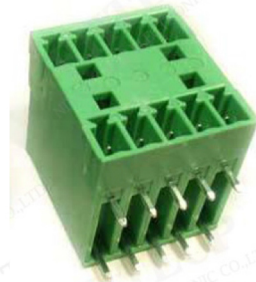
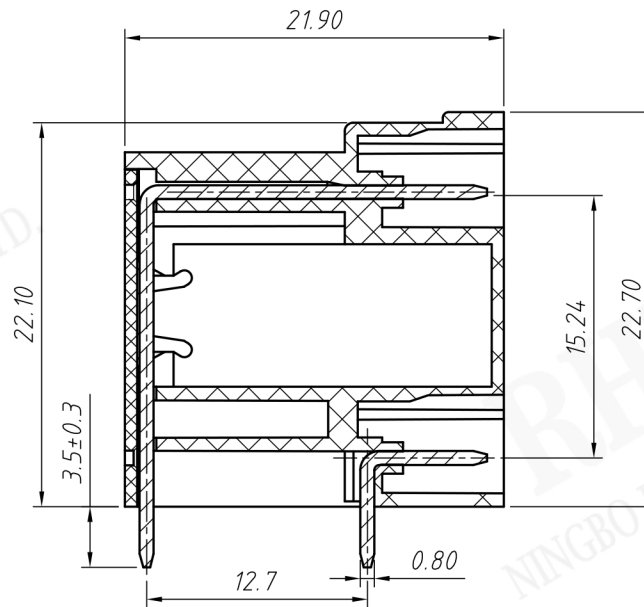
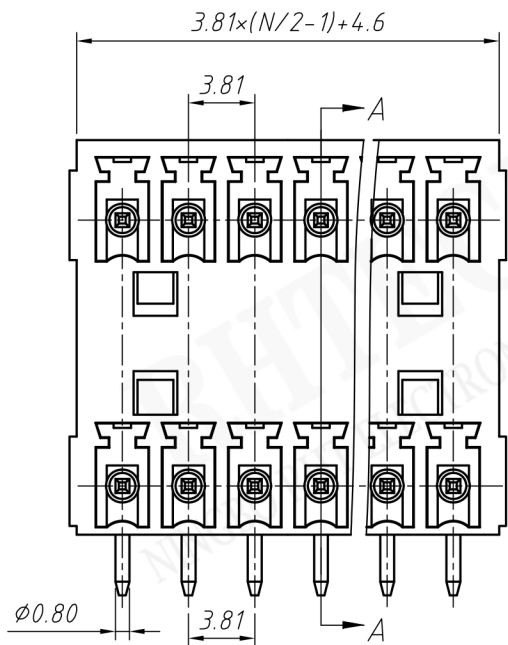
Electrical
Rated voltage: 300V
Rated current: 8A
Contact Resistance: 20 mΩ
Insulation resistance: 500MΩ/DC500V
Withstand voltage: AC2000V / 1 min

Mechanical
Temp. Range: -40 °C ~ +105 °C

Order Information

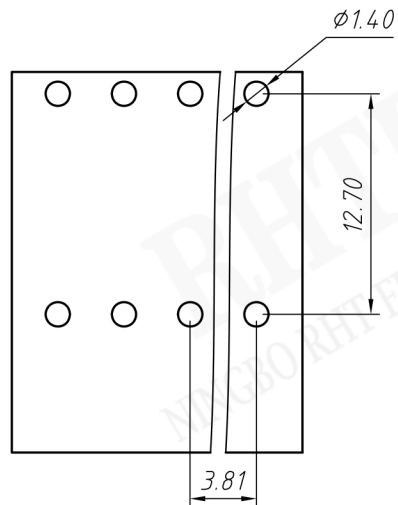
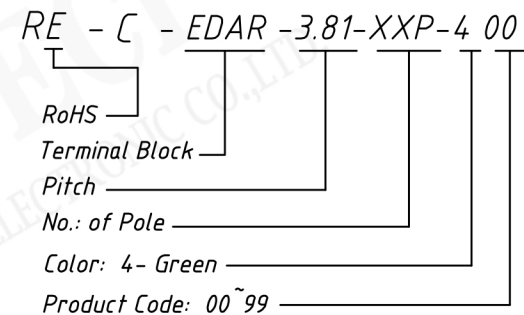
RE - C - EDAR -3.50-XXP-4 00





Material
Housing: PA66, UL94V-0
Pin header: Brass, Tin plated
Electrical
Rated voltage: 300V
Rated current: 8A
Contact Resistance: 20 mΩ
Insulation resistance: 500MΩ/DC500V
Withstand voltage: AC2000V / 1 min
Mechanical
Temp. Range: $-40^{\circ}\text{C} \sim +105^{\circ}\text{C}$

Order Information



UNITS:mm	SHEET SIZE:A4		SCALE: ---	First angle projection
> 0 ~ 3	> 3 ~ 18	> 18 ~ 50	> 50 ~ 120	
± 0.12	± 0.15	± 0.3	± 0.5	TERMINAL BLOCK