

Material
Housing: PA66, UL94V-0
Clamp: Phosphor bronze, Tin Plated
Wire guard: Stainless steel

Electrical
Rated voltage: 300V
Rated current: 8A
Contact Resistance: 20 mΩ
Insulation resistance: 500MΩ/DC500V
Withstand voltage: AC2000V / 1 min
Wire Range: 28~16AWG 1.0mm²

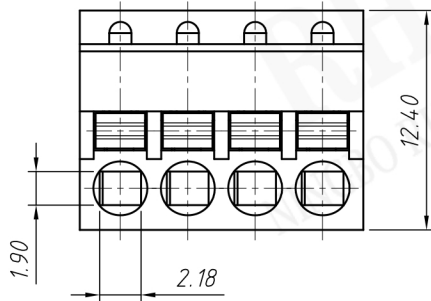
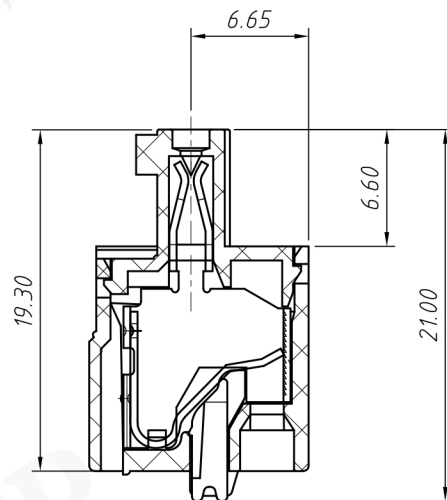
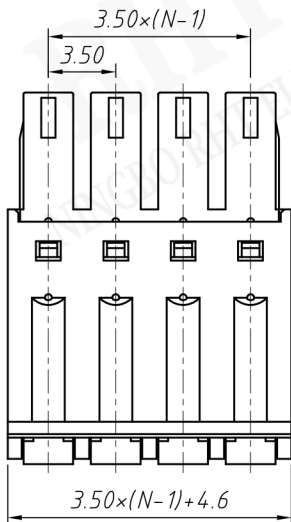
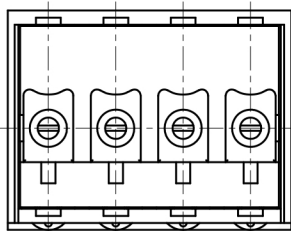
Mechanical
Temp. Range: -40 °C ~ +105 °C
Strip length: 7~8 mm
Torque: 0.4Nm(3.6 bin)

Order Information

RE - C - EDGKD - 3.81 - XXP - 4 00

RoHS ————
Terminal Block ————
Pitch ————
No.: of Pole ————
Color: 4- Green ————
Product Code: 00~99 ————

UNITS:mm	SHEET SIZE:A4		SCALE: ---
> 0~3	> 3~18	> 18~50	> 50~120
± 0.12	± 0.15	± 0.3	± 0.5



Material

Housing: PA66, UL94V-0
 Clamp: Phosphor bronze, Tin Plated
 Wire guard: Stainless steel

Electrical

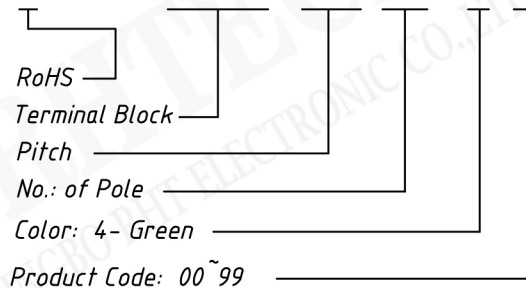
Rated voltage: 300V
 Rated current: 8A
 Contact Resistance: 20 mΩ
 Insulation resistance: 500MΩ/DC500V
 Withstand voltage: AC2000V / 1min
 Wire Range: 28~16AWG 1.0mm²

Mechanical

Temp. Range: -40 °C ~ +105 °C
 Strip length: 7~8 mm
 Torque: 0.4Nm(3.6 bin)

Order Information

RE - C - EDGKD - 3.50 - XXP - 4 00



UNITS:mm	SHEET SIZE:A4		SCALE: ---
> 0~3	> 3~18	> 18~50	> 50~120
± 0.12	± 0.15	± 0.3	± 0.5