

SECTION A-A

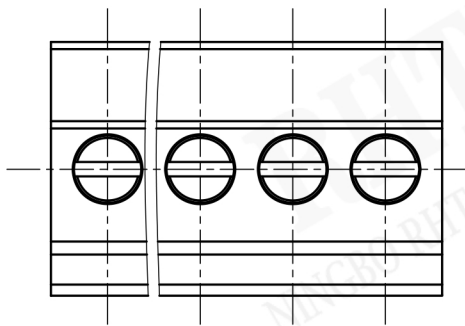
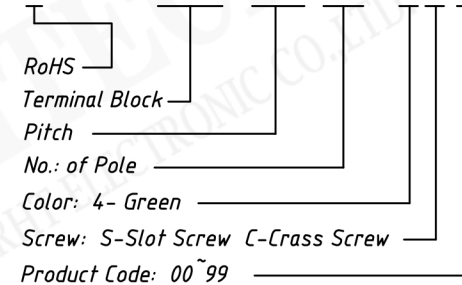
Material
Housing: PA66, UL94V-0
Clamp: Phosphor bronze, Ni Plated
Screws: M2 Steel, Zinc plated
Wire guard: Brass, Ni plated

Electrical
Rated voltage: 300V
Rated current: 8A
Contact Resistance: 20 m Ω
Insulation resistance: 500M Ω /DC500V
Withstand voltage: AC2000V / 1 min
Wire Range: 28 ~ 16AWG 1.5mm²

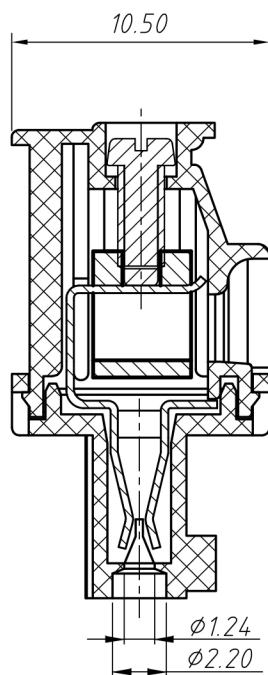
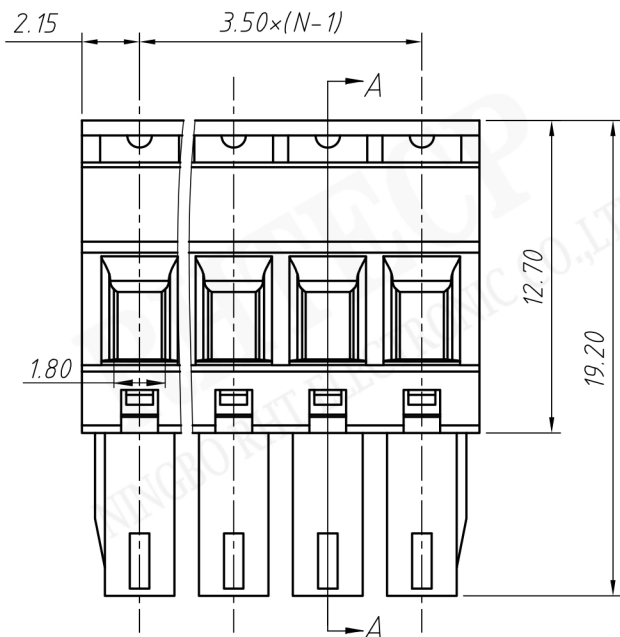
Mechanical
Temp. Range: -40 °C ~ +105 °C
Strip length: 6 ~ 7mm
Torque: 0.2Nm (1.7 bin)

Order Information

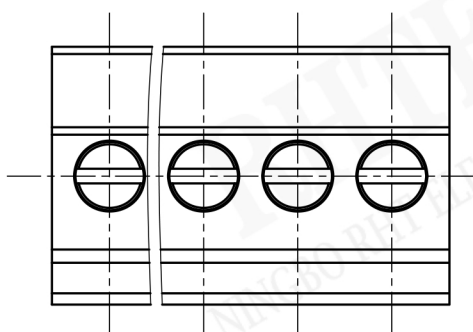
RE - C - ED CD - 3.81 - XXP - 4 S 00



UNITS:mm	SHEET SIZE:A4		SCALE: ---
> 0 ~ 3	> 3 ~ 18	> 18 ~ 50	> 50 ~ 120
± 0.12	± 0.15	± 0.3	± 0.5



SECTION A-A



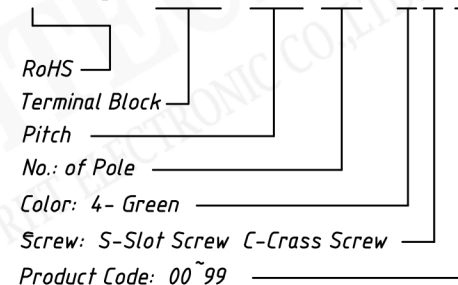
Material
 Housing: PA66, UL94V-0
 Clamp: Phosphor bronze, Ni Plated
 Screws: M2 Steel, Zinc plated
 Wire guard: Brass, Ni plated

Electrical
 Rated voltage: 300V
 Rated current: 8A
 Contact Resistance: 20 m Ω
 Insulation resistance: 500M Ω /DC500V
 Withstand voltage: AC2000V / 1min
 Wire Range: 28 ~ 16AWG 1.5mm²

Mechanical
 Temp. Range: -40 °C ~ +105 °C
 Strip length: 6 ~ 7mm
 Torque: 0.2Nm (1.7 bin)

Order Information

RE - C - EDCD - 3.50 - XXP - 4 S 00



UNITS:mm	SHEET SIZE:A4		SCALE: ---
> 0 ~ 3	> 3 ~ 18	> 18 ~ 50	> 50 ~ 120
± 0.12	± 0.15	± 0.3	± 0.5